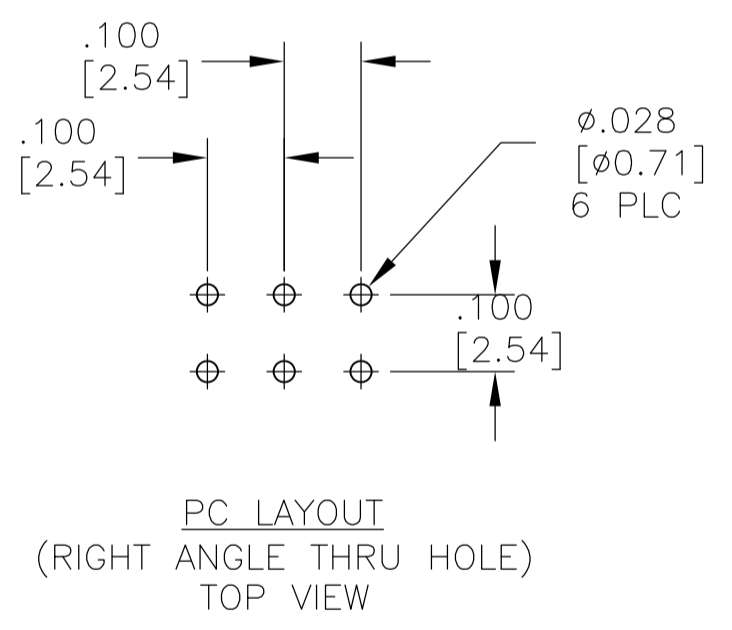
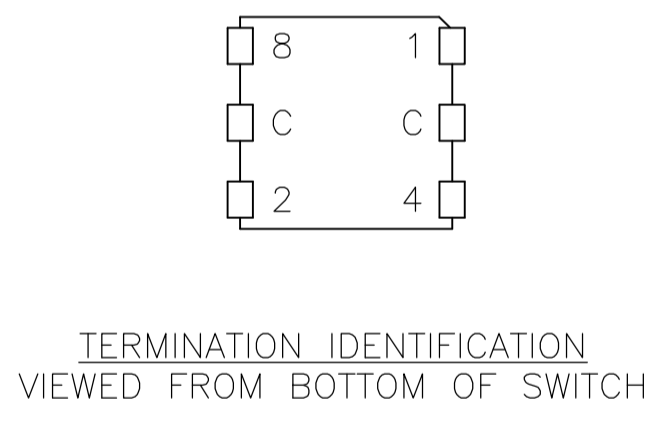
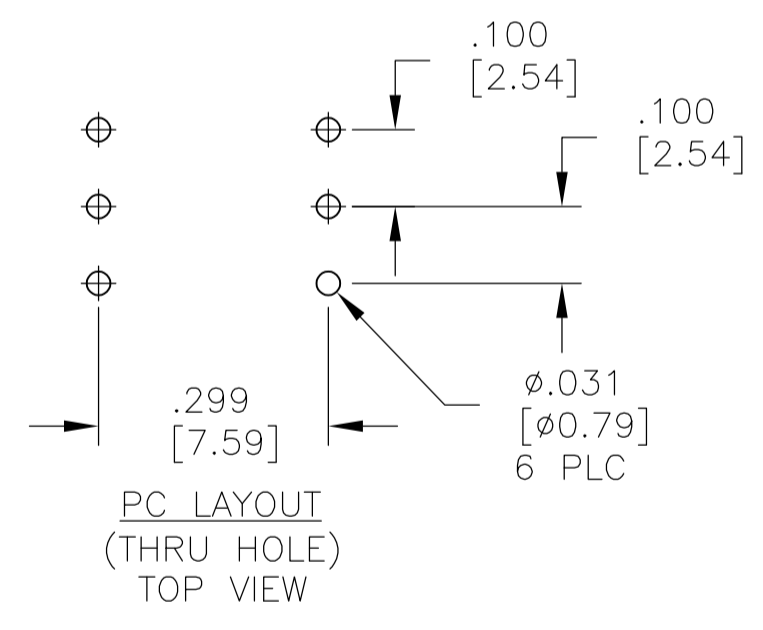
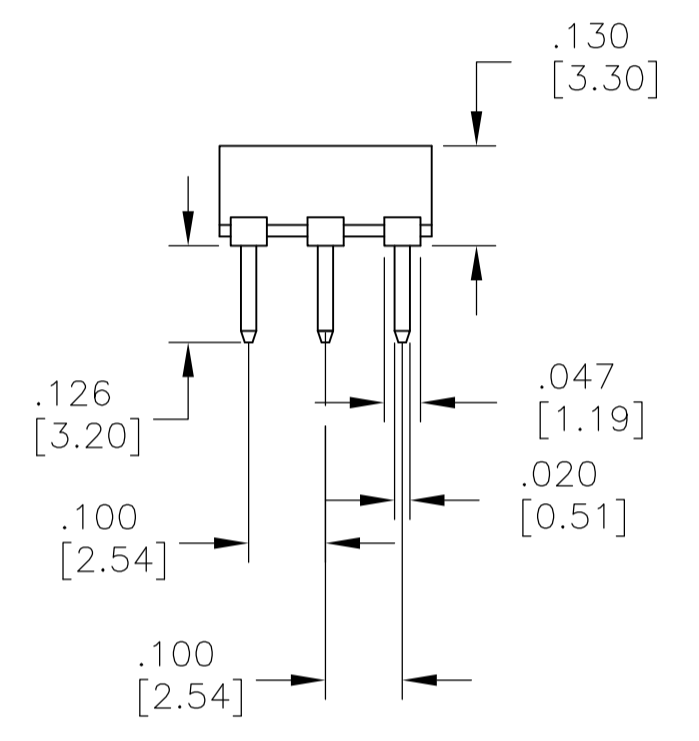
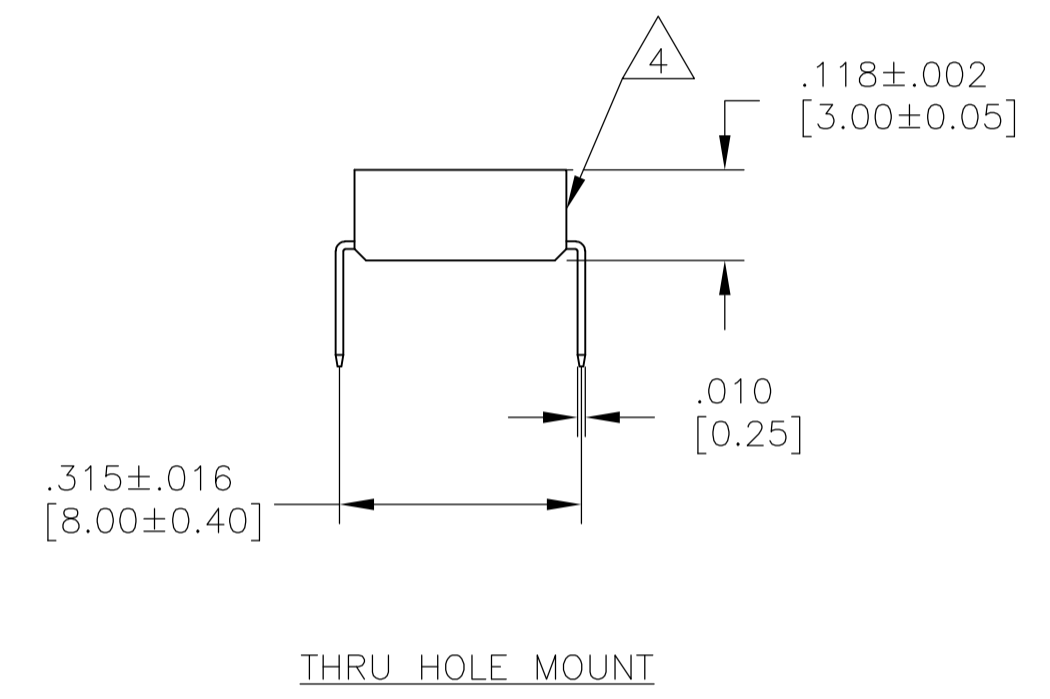
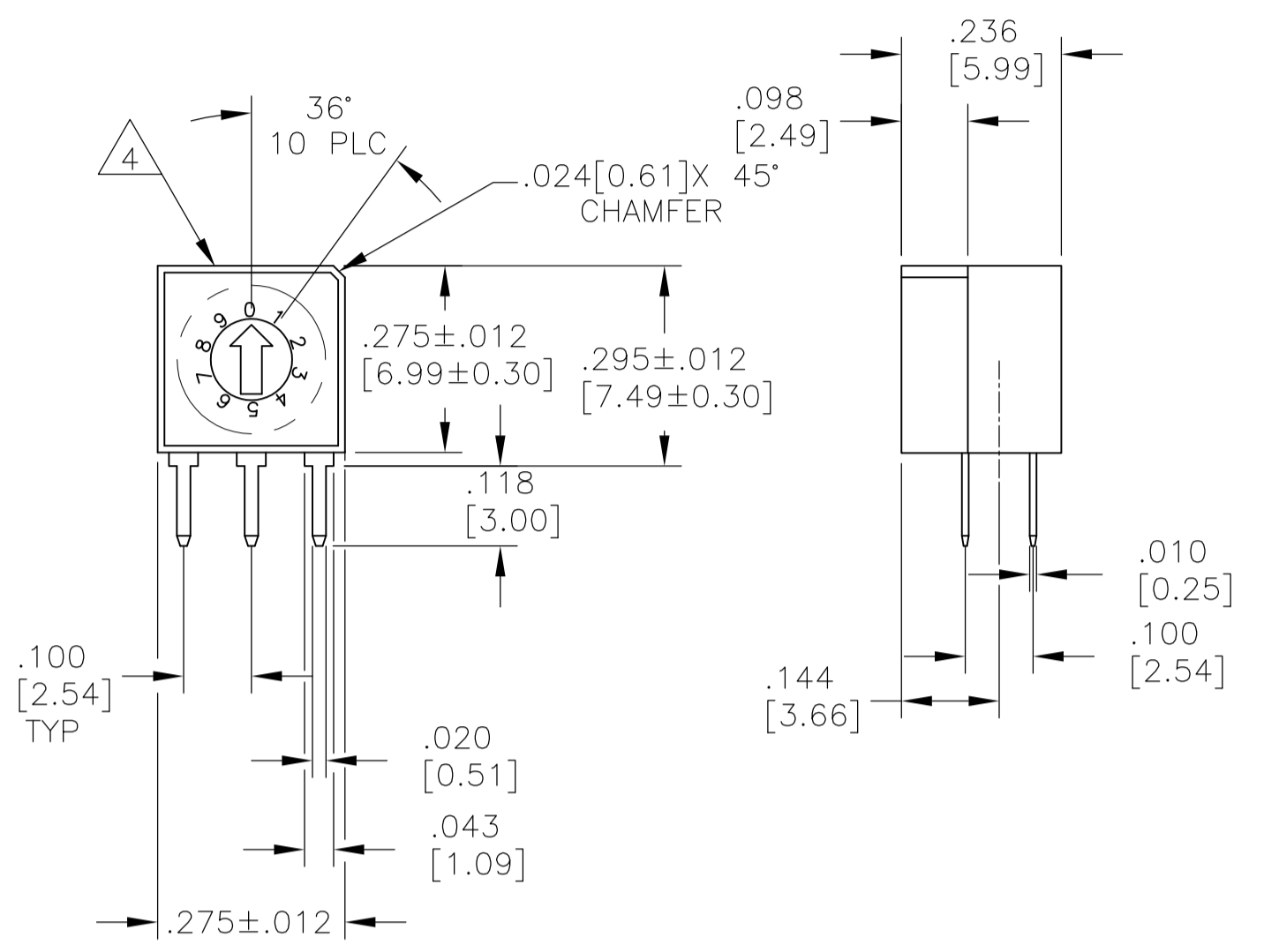
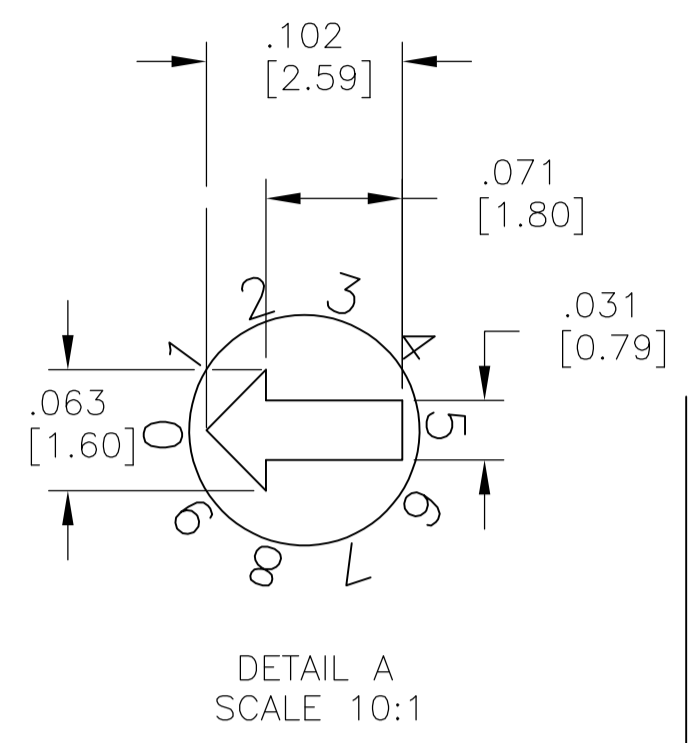
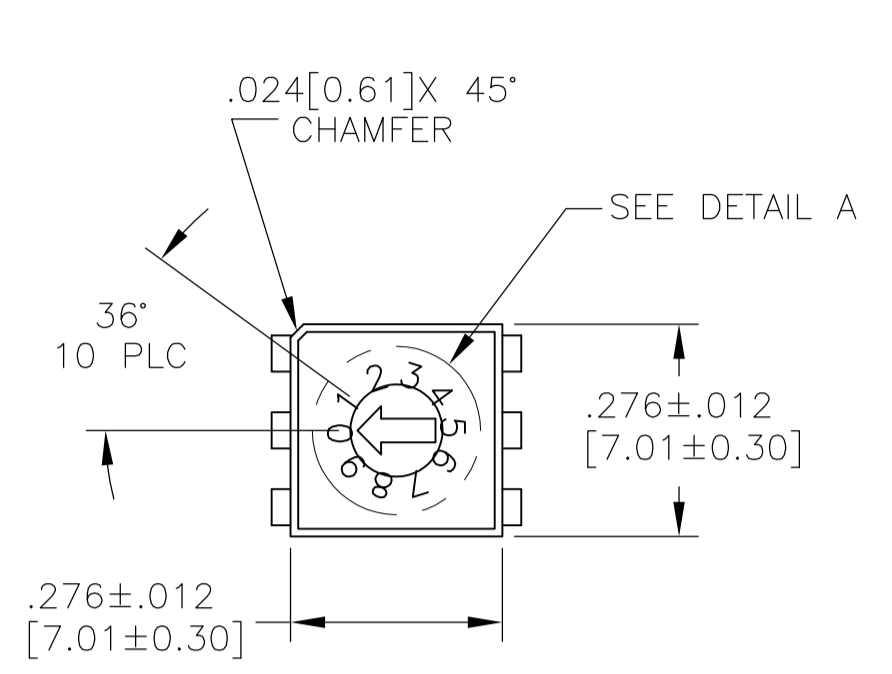


REVISIONS				
P	LTR	DESCRIPTION	DATE	APP'D
C1		REVISED PER ECO-17-001765	05MAY2017	SK AS



SPECIFICATIONS:

**MATERIAL**  
CASE & COVER, PPS, UL94V-0, BLACK  
ACTUATOR/ROTOR, PA6T, UL94V-0, SEE P/N TABLE FOR COLOR  
FIXED CONTACT/TERMINAL: COPPER ALLOY-GOLD OVER NICKEL PLATE  
MOVING CONTACT, COPPER ALLOY- GOLD OVER NICKEL PLATE  
PLATE, STAINLESS STEEL  
SPRING, STAINLESS STEEL  
O-RING, RUBBER

**ELECTRICAL**  
MAX CONTACT RATING SWITCHING, .4VA @ 20 V AC OR DC  
MIN CONTACT RATING SWITCHING, 1MICROAMP @ 1 MILLIVOLT  
INITIAL CONTACT RESISTANCE, 100 MILLIOHMS MAX. @ 2V DC 10MILLIAMPS  
CONTACT RESISTANCE AFTER TEST, 300 MILLIOHMS MAX.  
INSULATION RESISTANCE, 1,000 MEGOHMS MIN. @ 250 VDC  
DIELECTRIC STRENGTH, 250 VAC RMS @ SEA LEVEL  
LIFE, 10,000 STEPS MIN. @ 5V DC 10MILLIAMPS

**MECHANICAL**  
OPERATING FORCE, 200 GF-CM MAX.  
MECHANICAL LIFE, 20,000 STEPS MIN., NO LOAD

**ENVIRONMENTAL**  
OPERATING TEMPERATURE, -30 TO +85 DEGREES C  
STORAGE TEMPERATURE, -45 TO + 100 DEGREES C  
VIBRATION, PER EIA-364-28D, CONDITION 1  
MECHANICAL SHOCK, PER EIA-364-27B, CONDITION A  
RESISTANCE TO SOLDER HEAT PER 109-202 CONDITION B (THRU-HOLE), & 109-201, CONDITION B (SURFACE MOUNT)  
SOLDERABILITY PER JIS-C-0050 & JIS-C-0053

NOTES:

- ALL MATERIALS AND FINISHES SHALL COMPLY WITH EU DIRECTIVE 2002/95/EC OF 27JAN2003 (ROHS)
- TO BE SUPPLIED WITH ACTUATOR AT POSITION "7" FOR MRD10C & MRD10CS, POSITION "F" FOR MRD16C & MRD16CS AND POSITION "0" FOR ALL REMAINING MODELS
- TAPE & REEL PKG PER EIA 481 TAPE WIDTH 16mm, PITCH 16mm.
- LOCATE "ALCO" TRADE NAME AND LOT NUMBER ON THIS SURFACE. LOT NUMBER TO BE MARKED AS FOLLOWS.  
1ST DIGIT YEAR  
2ND DIGIT MONTH
- OBsolete PART.

ROTOR COLOR	MODEL	P/N
GREEN	MRD16RASTR04	2-1825013-4
WHITE	MRD16CRASTR04	2-1825013-3
RED	MRD10RASTR04	2-1825013-2
ORANGE	MRD10CRASTR04	2-1825013-1
GREEN	MRD16STR04	2-1825013-0
GREEN	MRD16S04	1-1825013-9
GREEN	MRD16RAS04	1-1825013-8
GREEN	MRD16RA04	1-1825013-7
WHITE	MRD16CSTR04	1-1825013-6
WHITE	MRD16CS04	1-1825013-5
WHITE	MRD16CRAS04	1-1825013-4
WHITE	MRD16CRA04	1-1825013-3
WHITE	MRD16C04	1-1825013-2
GREEN	MRD1604	1-1825013-1
RED	MRD10STR04	1-1825013-0
RED	MRD10S04	1825013-9
RED	MRD10RAS04	1825013-8
RED	MRD10RA04	1825013-7
ORANGE	MRD10CSTR04	1825013-6
ORANGE	MRD10CS04	1825013-5
ORANGE	MRD10CRAS04	1825013-4
ORANGE	MRD10CRA04	1825013-3
ORANGE	MRD10C04	1825013-2
RED	MRD1004	1825013-1
ROTOR COLOR	OLD T&B P/N	P/N

HOW TO ORDER: MRD- [ ] [ ] [ ]

**CIRCUIT TYPES:**  
10 = BC DECIMAL  
10C = BCD COMPLIMENT  
16 = HEXADECIMAL  
16C = HEXADECIMAL COMPLIMENT

**TERMINATIONS:**  
BLANK = PC  
S = OUTSIDE L, SURFACE MOUNT  
RA= RIGHT ANGLE

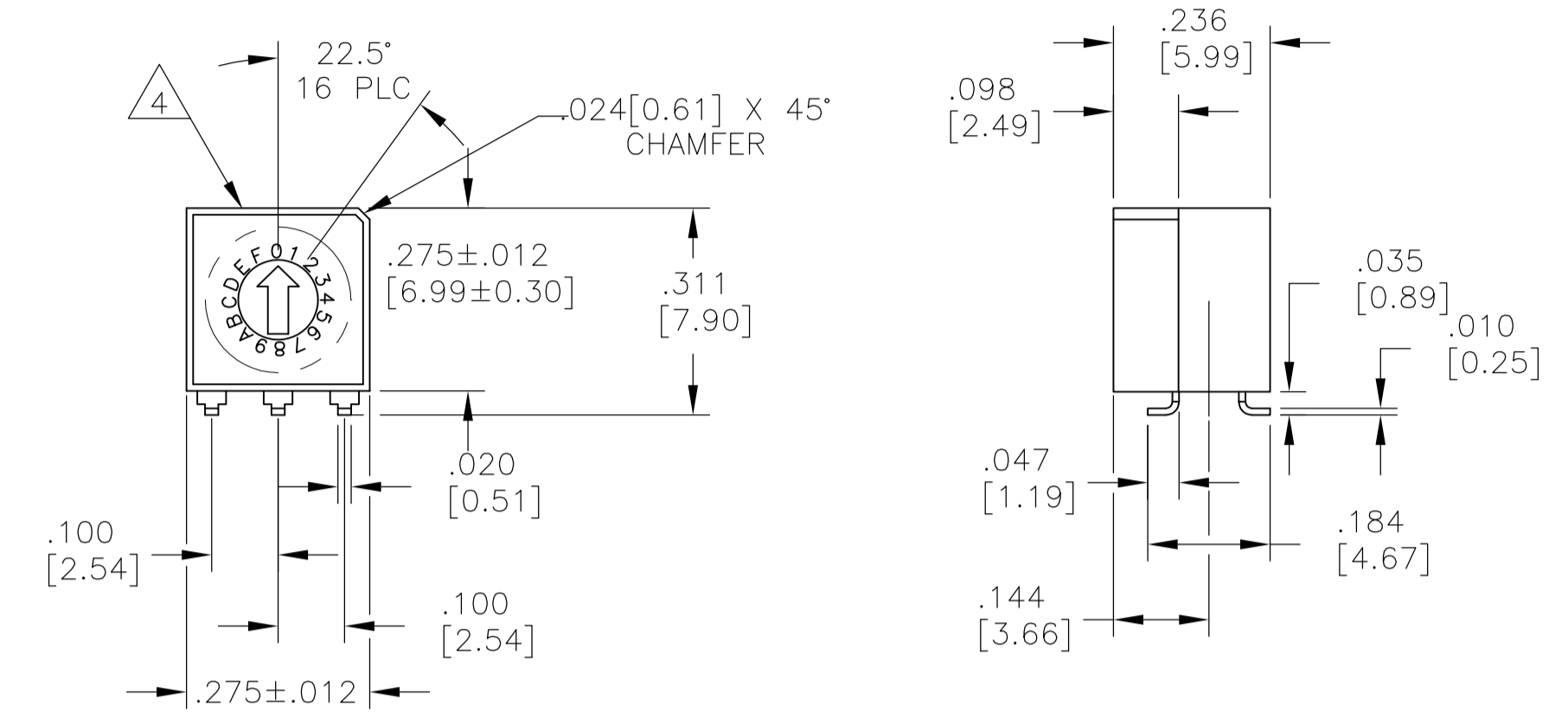
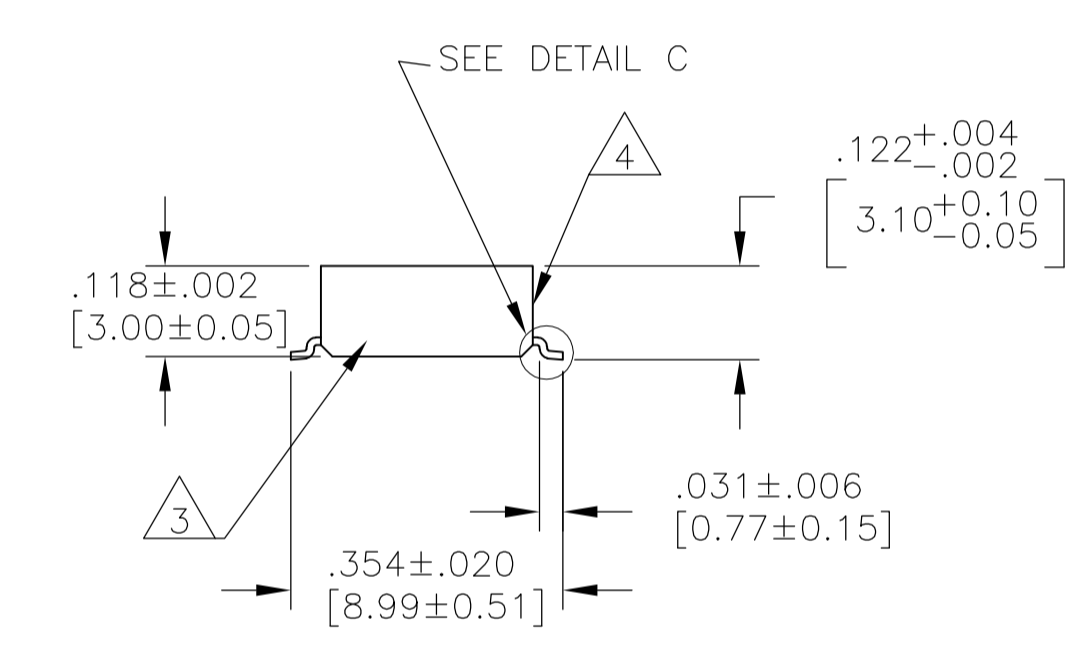
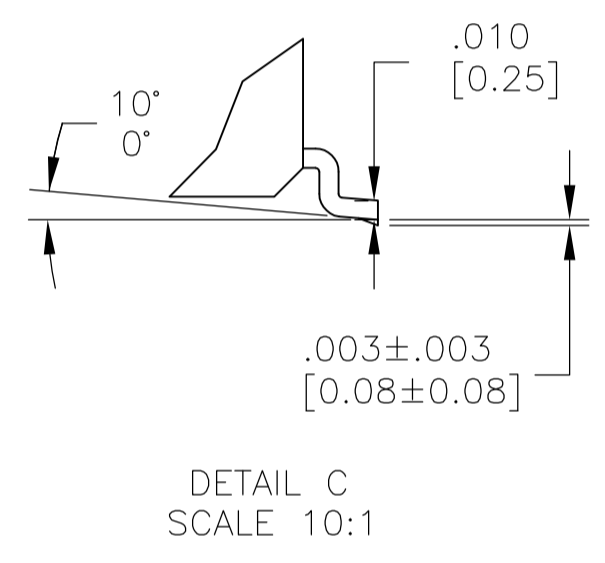
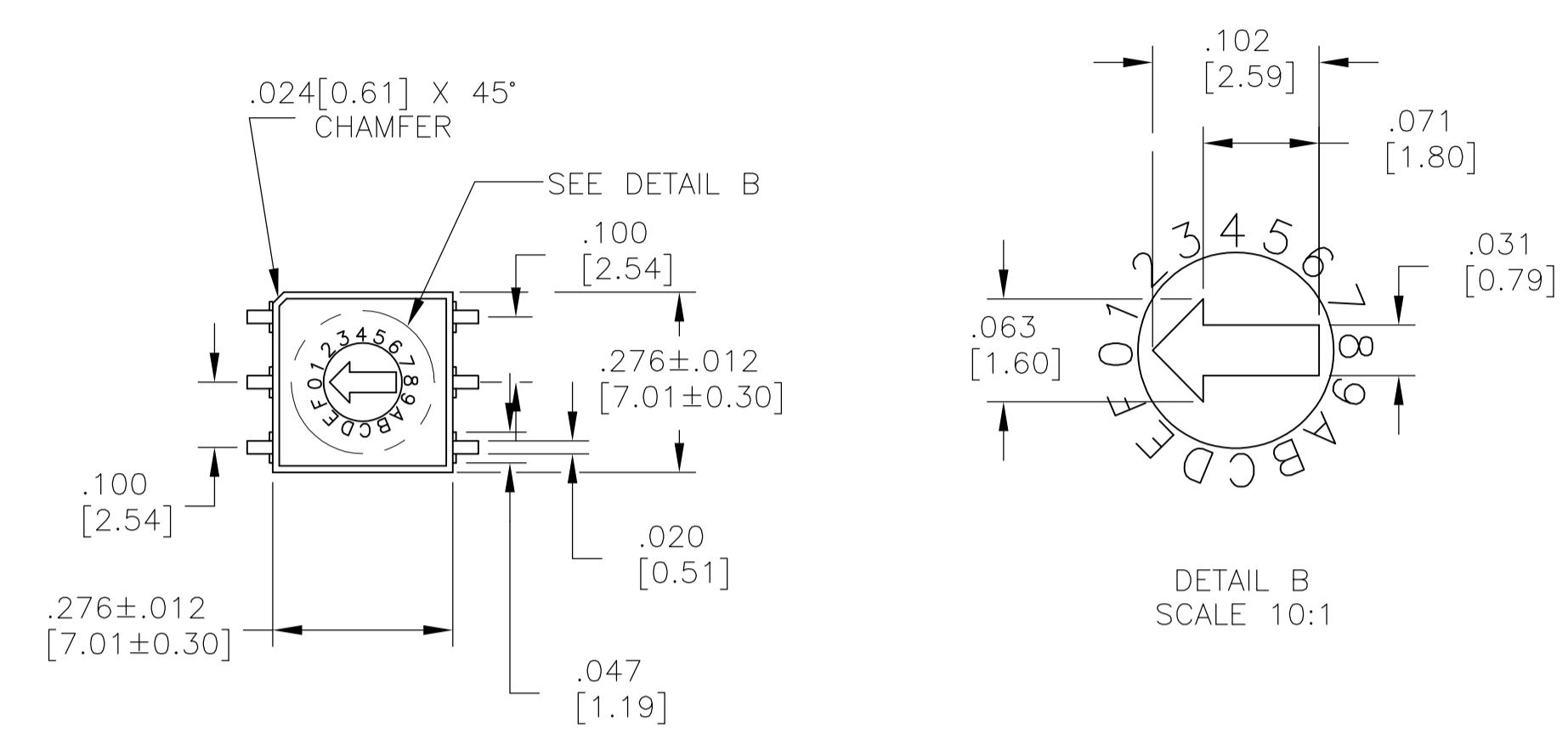
**PACKAGING:**  
TR = TAPE & REEL  
(SURFACE MOUNT ONLY SEE SHEET 3)

THIS DRAWING IS A CONTROLLED DOCUMENT.

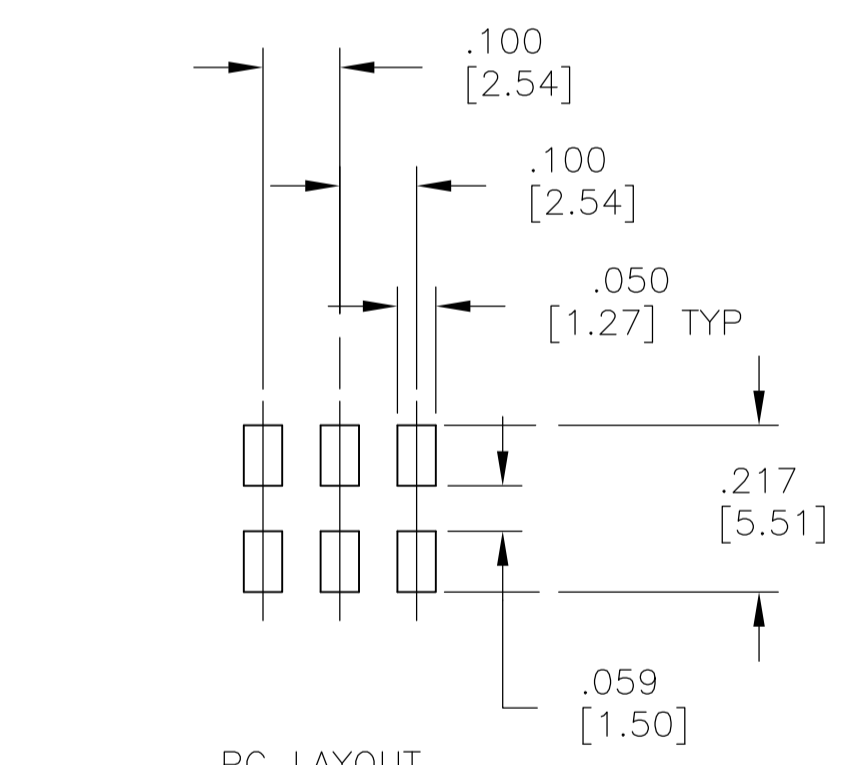
DIMENSIONS: INCHES[mm]	TOLERANCES UNLESS OTHERWISE SPECIFIED:	DWN M. BINNER 25JUL02	CHK M. SARVER 25JUL02
0 PLC ± .010	1 PLC ± .010	APP'D M. SARVER 25JUL02	NAME
2 PLC ± .010	3 PLC ± .010	PRODUCT SPEC	MRD SERIES 7MM ROTARY DIP SWITCH
4 PLC ± .010	ANGLES ± .5°	APPLICATION SPEC	SIZE CAGE CODE DRAWING NO RESTRICTED TO
MATERIAL SEE SPECIFICATION	FINISH	WEIGHT 0	A1 00779 1825013
CUSTOMER DRAWING		SCALE 4:1	SHEET 1 OF 2 REV C1

STE TE Connectivity

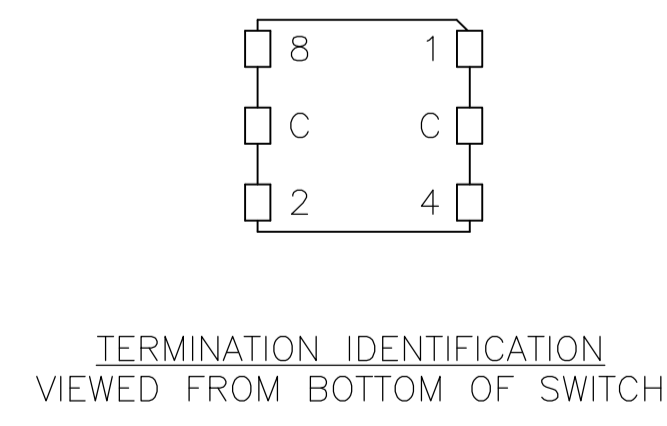
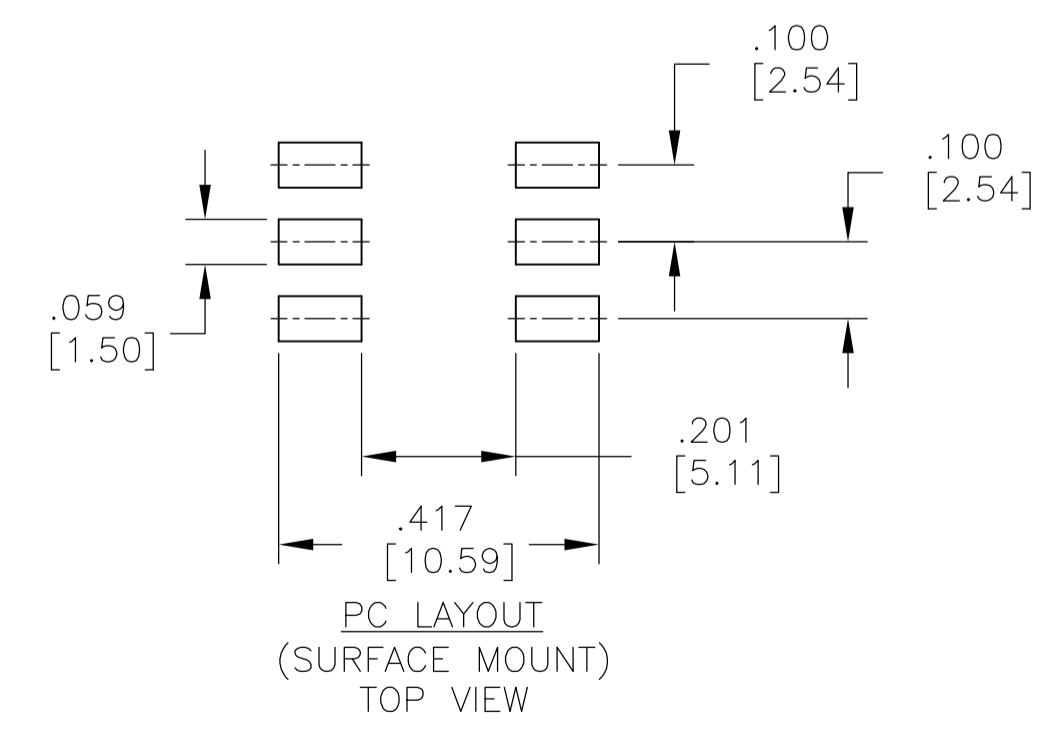
REVISIONS				
P	LTR	DESCRIPTION	DATE	APP'D
-	-	SEE SHEET 1	-	-



RIGHT ANGLE SURFACE MOUNT



PC LAYOUT (RIGHT ANGLE SURFACE MOUNT) TOP VIEW



TERMINATION IDENTIFICATION VIEWED FROM BOTTOM OF SWITCH

POS	0	1	2	3	4	5	6	7	8	9
C	X	X	X	X	X	X	X	X	X	X
1	X		X		X		X		X	
2	X	X			X	X			X	X
4	X	X	X	X					X	X
8	X	X	X	X	X	X	X	X		

POS	0	1	2	3	4	5	6	7	8	9
C	X	X	X	X	X	X	X	X	X	X
1		X		X		X		X		X
2			X	X			X	X		
4					X	X	X	X		
8									X	X

POS	0	1	2	3	4	5	6	7	8	9	A	B	C	D	E	F
C	X	X	X	X	X	X	X	X	X	X	X	X	X	X	X	X
1		X		X		X		X		X		X		X		
2			X	X			X	X			X	X			X	
4					X	X	X	X					X	X	X	
8									X	X	X	X	X	X	X	

POS	0	1	2	3	4	5	6	7	8	9	A	B	C	D	E	F
C	X	X	X	X	X	X	X	X	X	X	X	X	X	X	X	X
1	X		X		X		X		X		X		X		X	
2	X	X			X	X			X	X			X	X		
4	X	X	X	X				X	X	X	X					
8	X	X	X	X	X	X	X	X								

CIRCUIT TYPE	ACTUATOR COLOR
10	RED
10C	ORANGE
16	GREEN
16C	WHITE

THIS DRAWING IS A CONTROLLED DOCUMENT.

DIMENSIONS: INCHES[mm]	TOLERANCES UNLESS OTHERWISE SPECIFIED:	DWN: M. BINNER 25JUL02	CHK: M. SARVER 25JUL02	AP'D: M. SARVER 25JUL02	NAME: MRD SERIES 7MM ROTARY DIP SWITCH
0. PLC ± -	1. PLC ± -	2. PLC ± -	3. PLC ± .010(0.25)	4. PLC ANGLES ± - # °	FINISH: -
MATERIAL: SEE SPECIFICATION	FINISH: -	WEIGHT: 0	SIZE: A1	CAGE CODE: 1825013	RESTRICTED TO: -
CUSTOMER DRAWING		SCALE: 4:1	SHEET: 2 OF 2	REV: C1	

STE TE Connectivity

单击下面可查看定价，库存，交付和生命周期等信息

[>>TE Connectivity\(泰科\)](#)