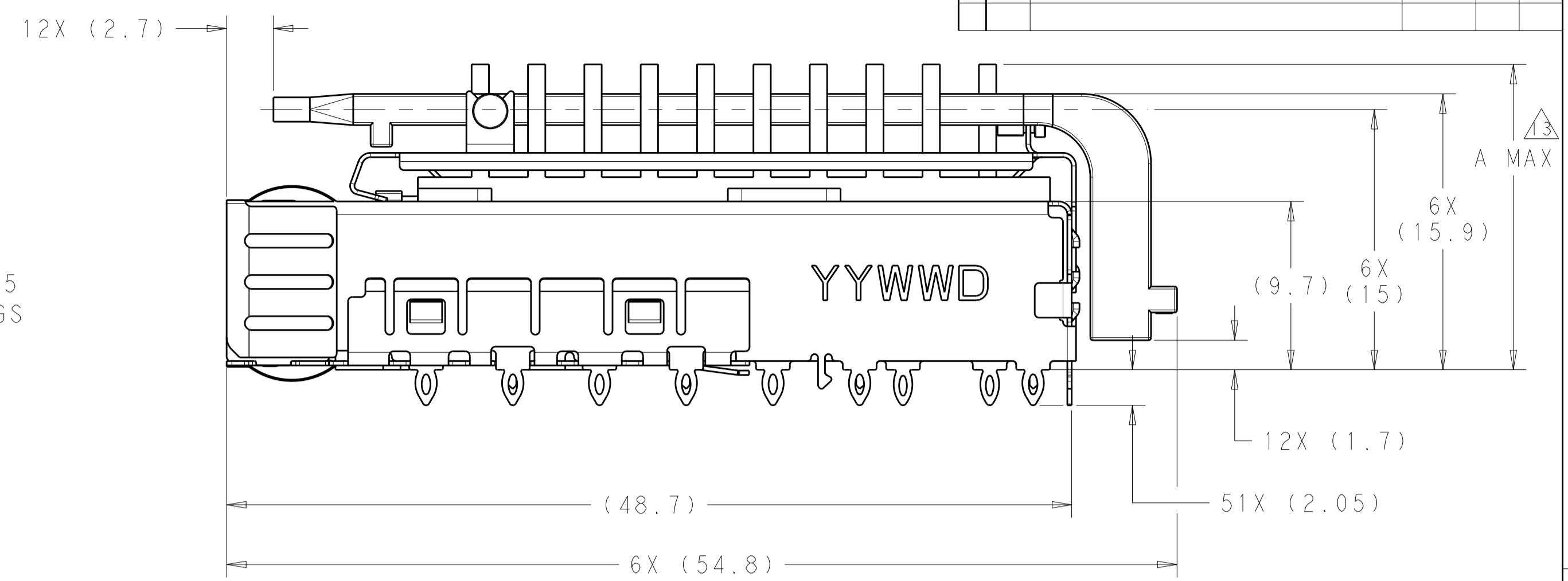
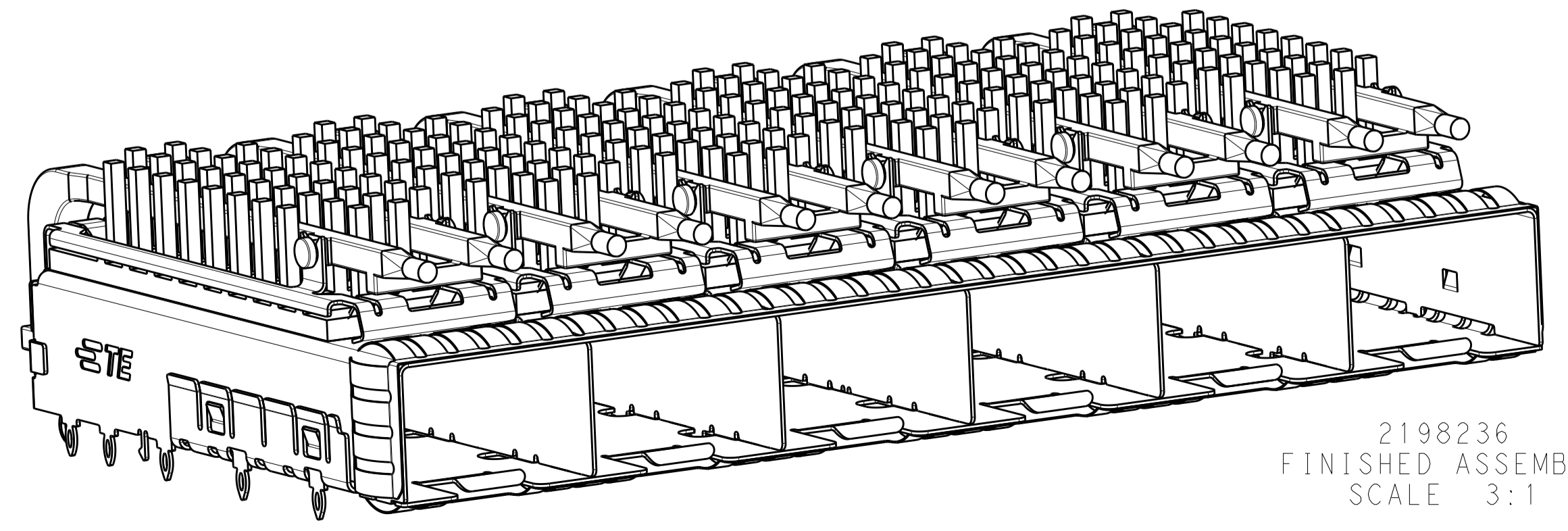
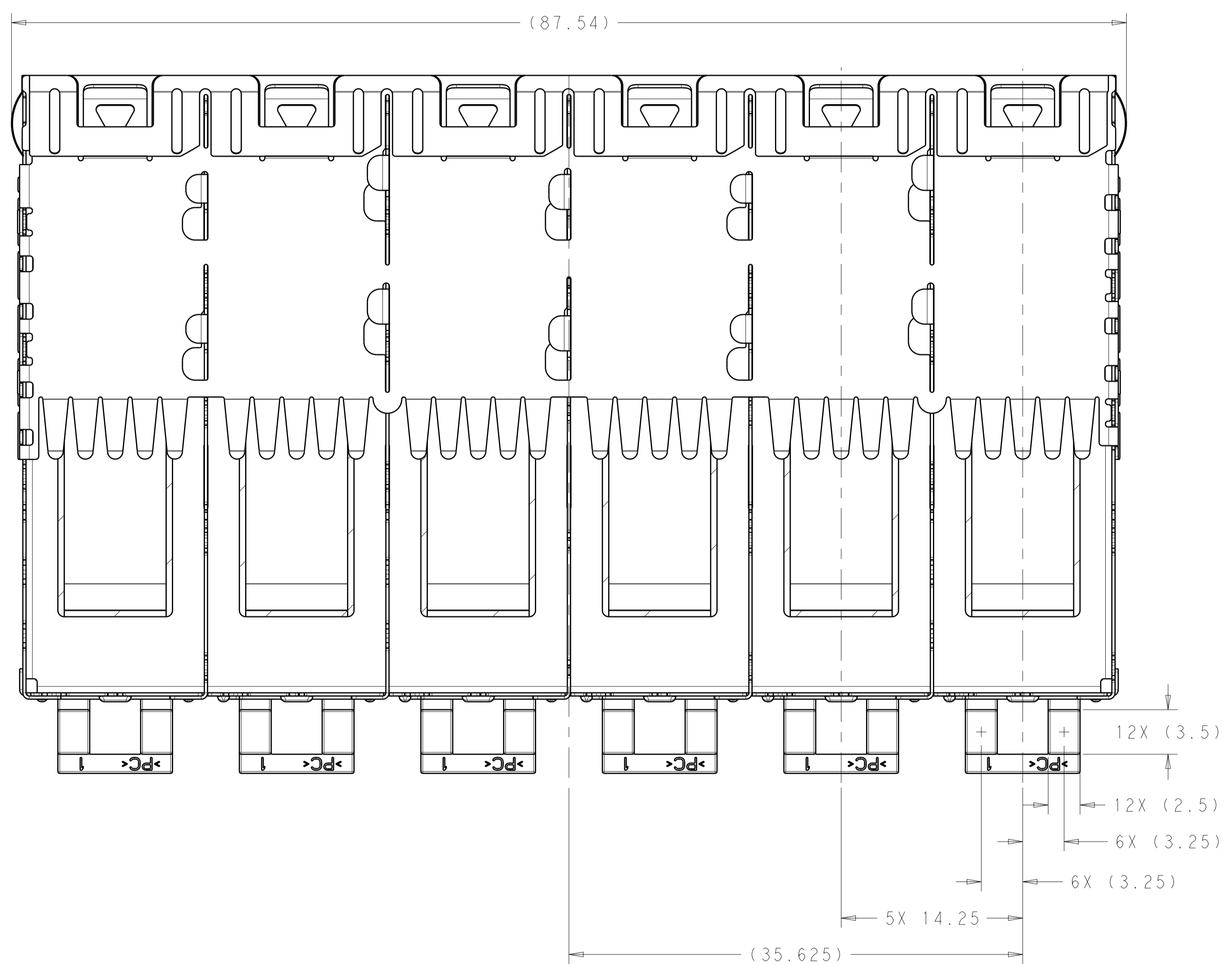
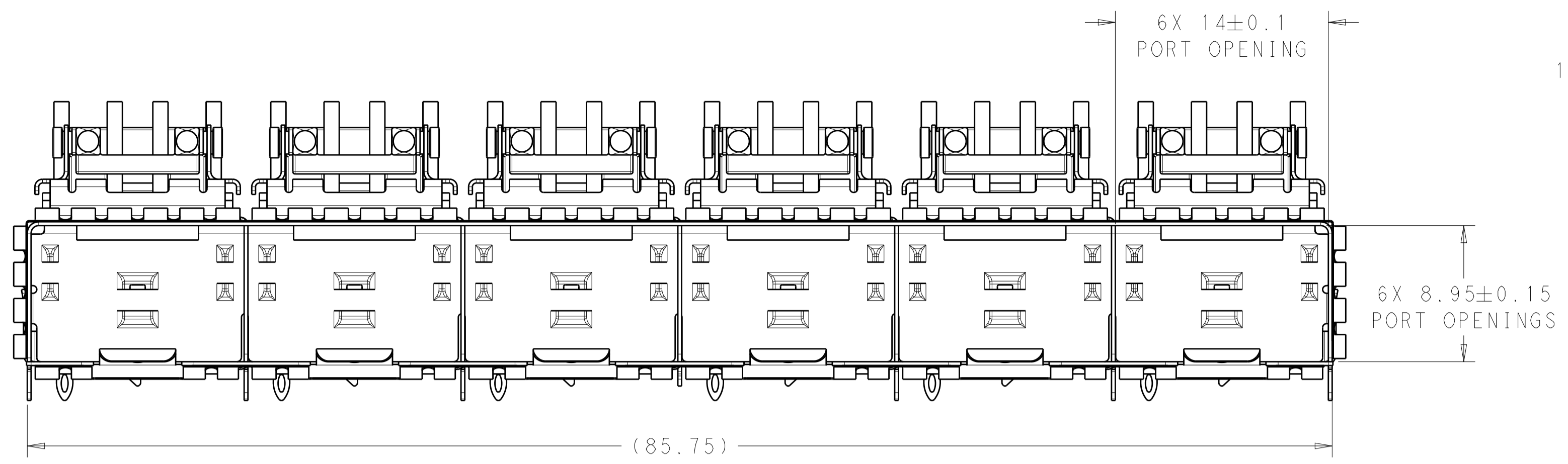


LOC	DIST	REVISIONS					
GP	00	P	LTN	DESCRIPTION	DATE	DWN	APVD
		A		RELEASED PER ECO-12-013192	18OCT2012	BMM	MRS



- 1 MATERIAL:  
CAGE ASSEMBLY: 0.25mm THICK NICKEL SILVER ALLOY.  
HEATSINK/LIGHTPIPE CLIP: STAINLESS STEEL  
LIGHT PIPE: POLYCARBONATE, CLEAR  
HEATSINK: ALUMINUM
- 2 FINISH:  
SPRINGS: MINIMUM OF 0.8um TIN PLATE OVER A MINIMUM OF 0.8um NICKEL UNDERPLATE.  
NON-PLATED EDGES PERMISSIBLE.  
HEATSINK/LIGHTPIPE CLIP: PASSIVATE  
HEATSINK: ELECTROLESS NICKEL
- 3. MATES WITH SFP MSA COMPLIANT TRANSCEIVERS.
- 4 PADS AND VIAS CHASSIS GROUND.
- 5. INTERPRETATION OF DATUM REFERENCE FRAME IN ACCORDANCE WITH SECT 4.4.1.1 OF ASME Y14.5M-1994.
- 6 MINIMUM PC BOARD THICKNESS:  
SINGLE SIDED = 1.50mm  
DOUBLE SIDED = 2.25mm
- 7 HOLE PATTERN REPEATS FOR EACH PORT. SPACING BETWEEN PORTS IS 14.25mm.
- 8 DATUM AND BASIC DIMENSION ESTABLISHED BY CUSTOMER.
- 9 REFERENCE APPLICATION SPEC. 114-13120, HOLE A, FOR RECOMMENDED DRILL HOLE DIAMETER AND PLATING THICKNESS.
- 10 REFERENCE APPLICATION SPEC. 114-13120, HOLE B, FOR RECOMMENDED DRILL HOLE DIAMETER AND PLATING THICKNESS.
- 11. CERTAIN MATING TRANSCEIVERS MAY REQUIRE ADDITIONAL PCB THICKNESS THAT WOULD BE DETERMINED BY THE CUSTOMER.
- 12. PRODUCT COMPLIES WITH SPECIFICATION SFF-8433 IMPROVED PLUGGABLE FORM FACTOR FOR SFP+ GANGED CAGES.
- 13 DIMENSION APPLIES PRIOR TO INSERTION OF SFP MODULE
- 14 HEATSINK, HEATSINK CLIP, AND LIGHTPIPE SHIPPED UNASSEMBLED TO CAGE ASSEMBLY. CAGE ASSEMBLY TO BE PRESSED INTO PCB PRIOR TO ATTACHING HEATSINK, HEATSINK CLIP, AND LIGHTPIPE TO THE CAGE ASSEMBLY.
- 15 PACKAGED AS A COMPLETE ASSEMBLY.

22.5	NETWORKING, TALL	2198236-4
18.1	NETWORKING, SHORT	2198236-3
15.5	SAN	2198236-2
13.2	PCI	2198236-1
A MAX	APPLICATION	PART NUMBER

THIS DRAWING IS A CONTROLLED DOCUMENT.

DWN: B. MATTHEWS 15NOV2011  
CHK: M. SCHMITT 15NOV2011  
APVD: M. SCHMITT 15NOV2011

TE Connectivity

NAME: SFP+ ENHANCED 1X6 CAGE ASSEMBLY, PRESS FIT, EXTERNAL EMI SPRINGS WITH HEATSINK AND LIGHTPIPE

PRODUCT SPEC: 108-2364  
APPLICATION SPEC: 114-13120

SIZE: A1  
CAGE CODE: 00779  
DRAWING NO: 2198236

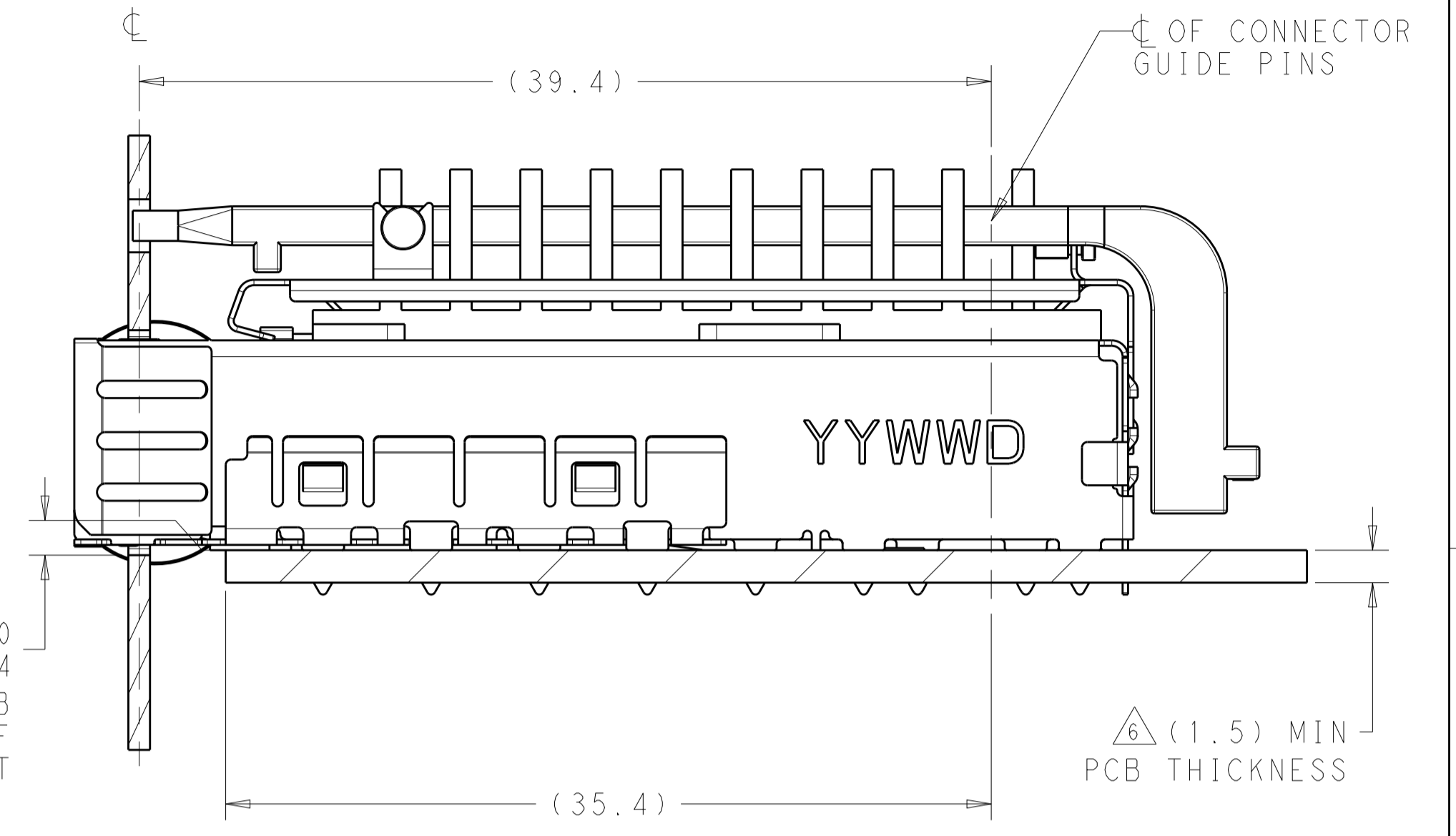
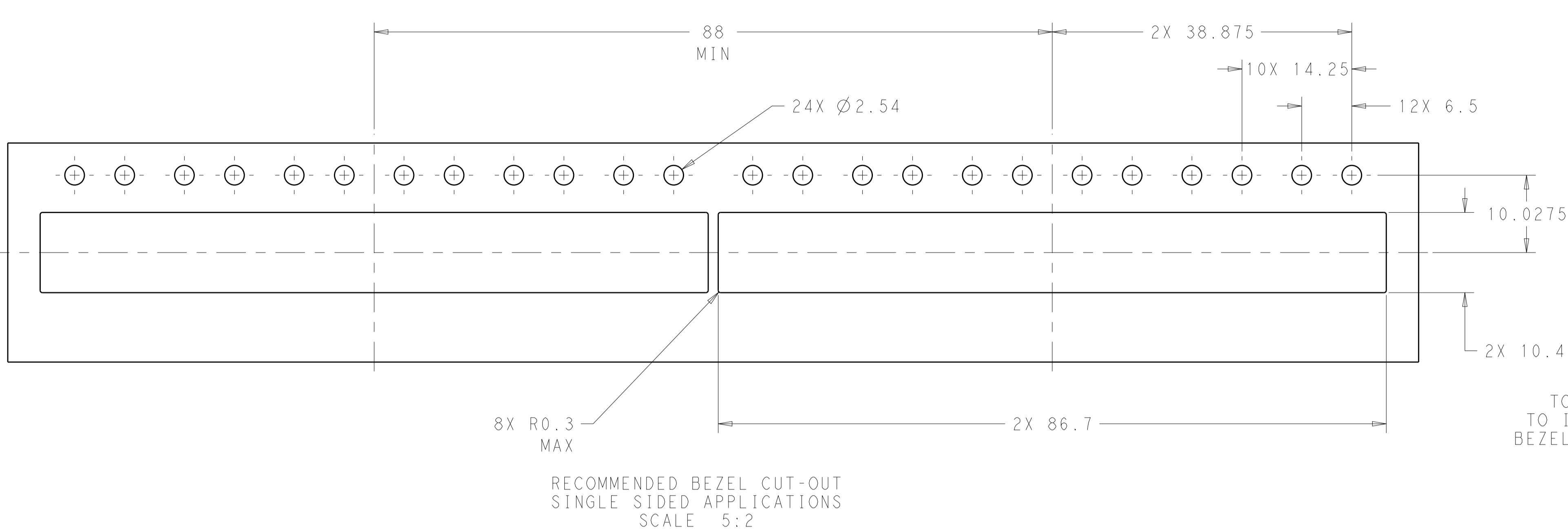
RESTRICTED TO: Customer Drawing

SCALE: 4:1 SHEET 1 OF 4 REV A

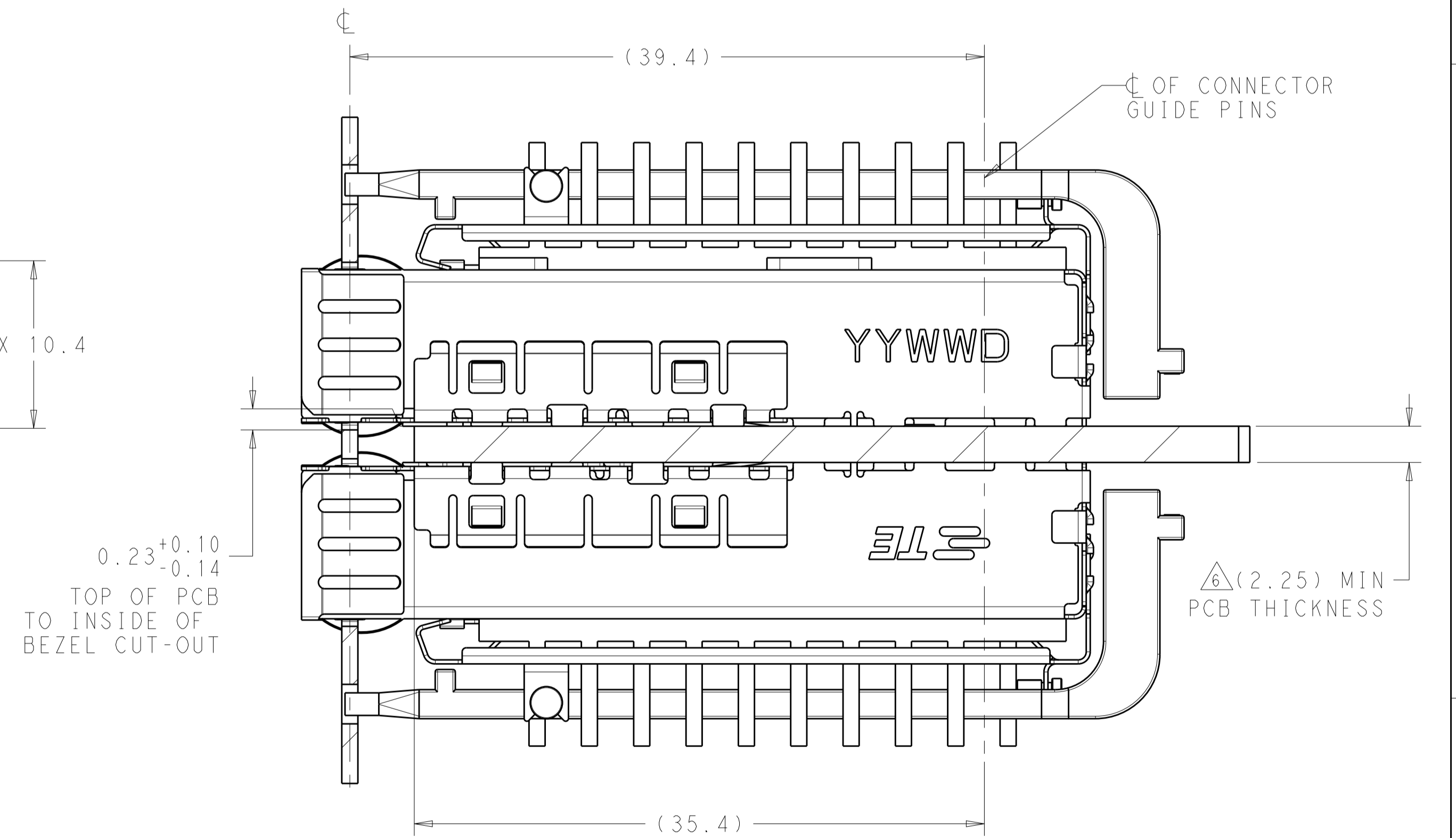
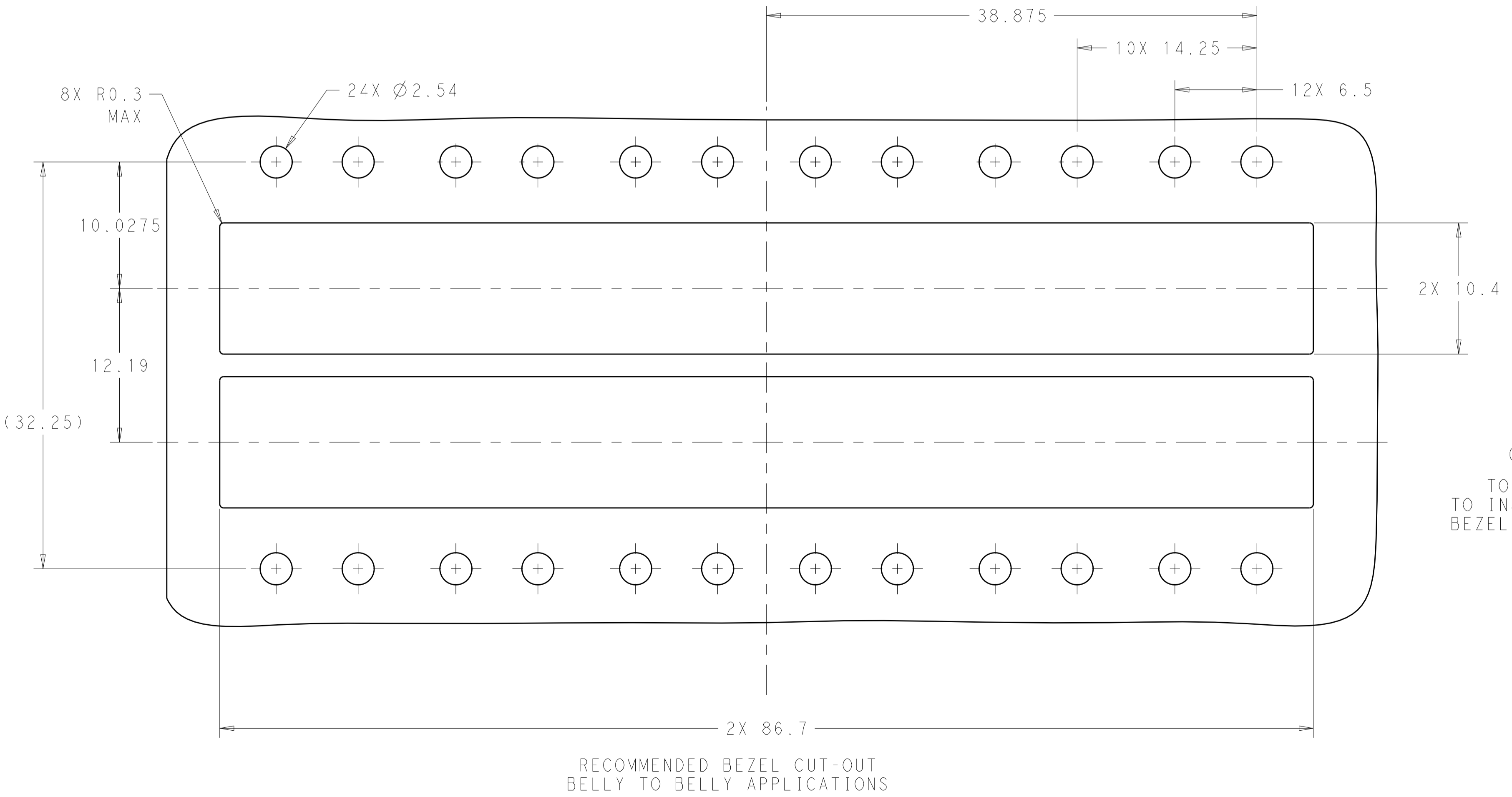
LOC	DIST	REV	DATE	BY	APPV
GP	00				

REVISIONS			
NO.	DESCRIPTION	DATE	BY
-	SEE SHEET 1	-	-

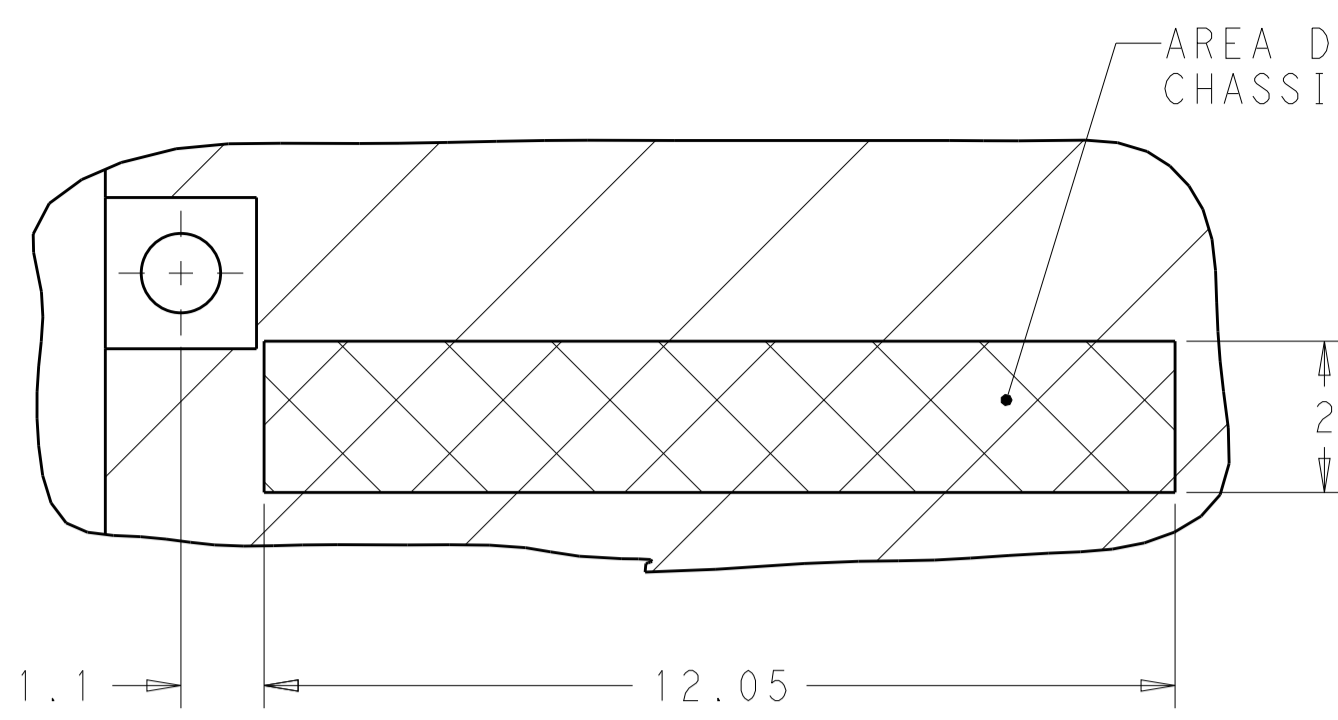


2198236  
MOUNTED ON PC BOARD  
SHOWN THRU RECOMMENDED BEZEL

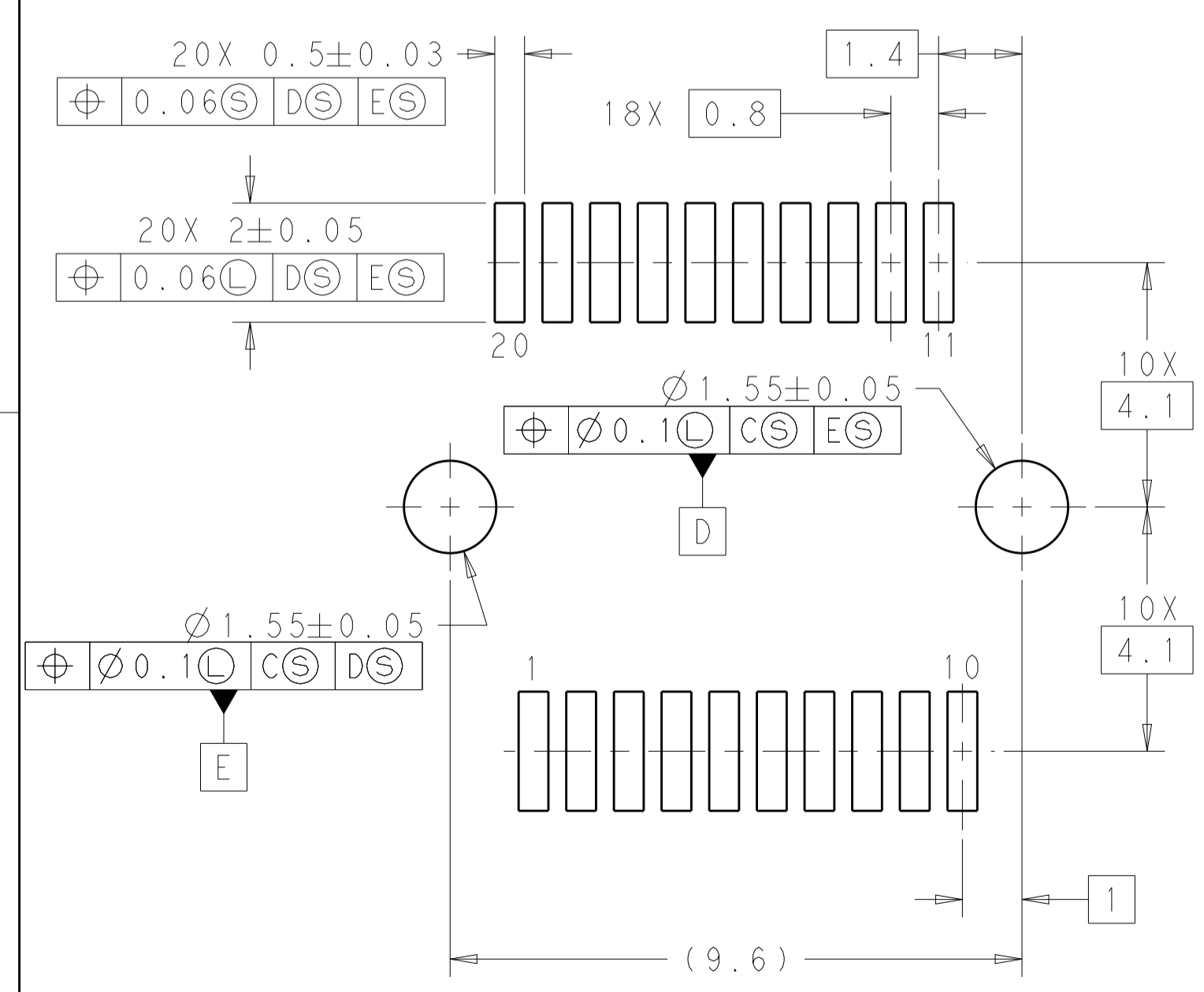
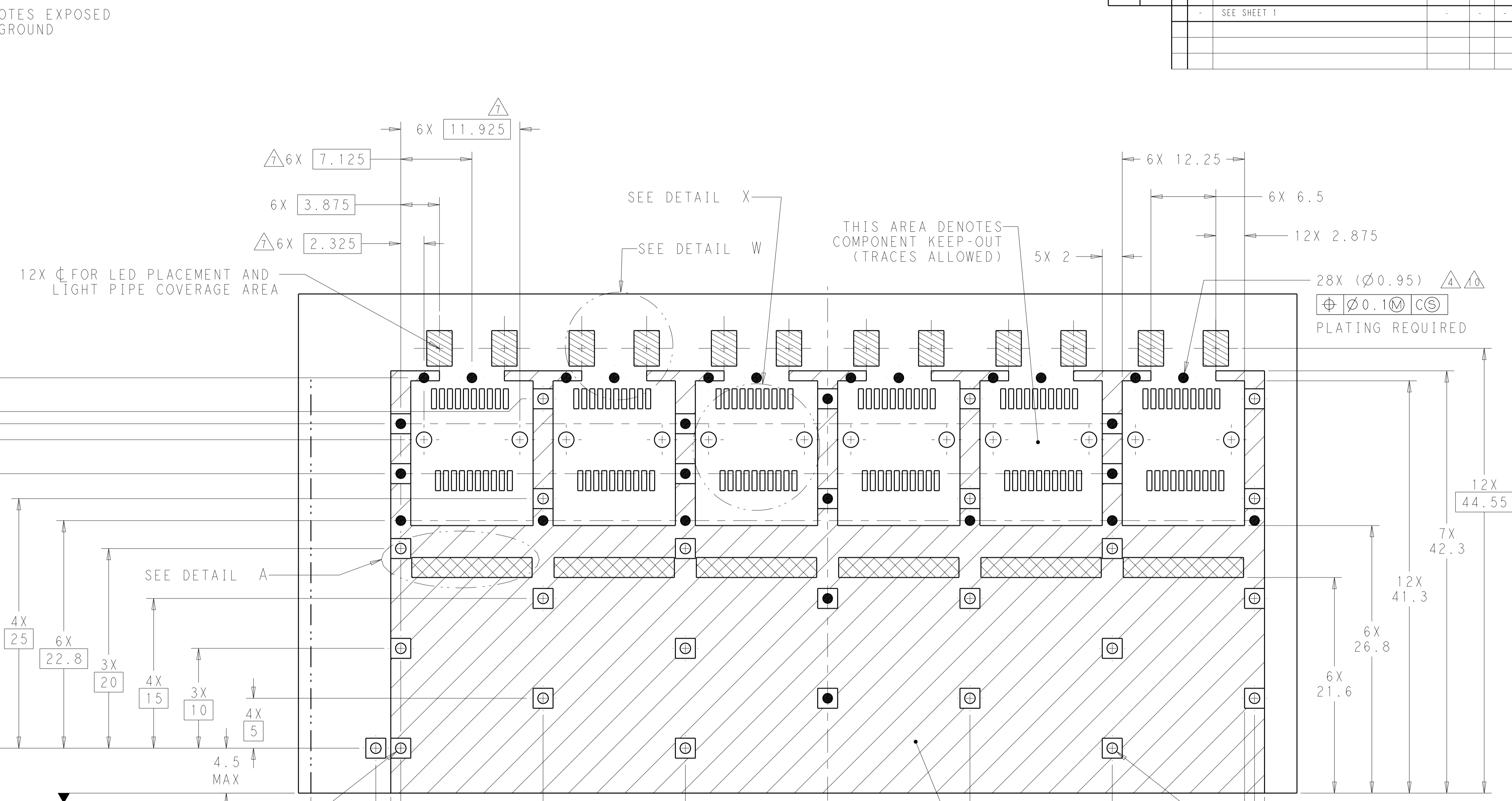


2198236  
MOUNTED BELLY TO BELLY ON PC BOARD  
SHOWN THRU RECOMMENDED BEZEL

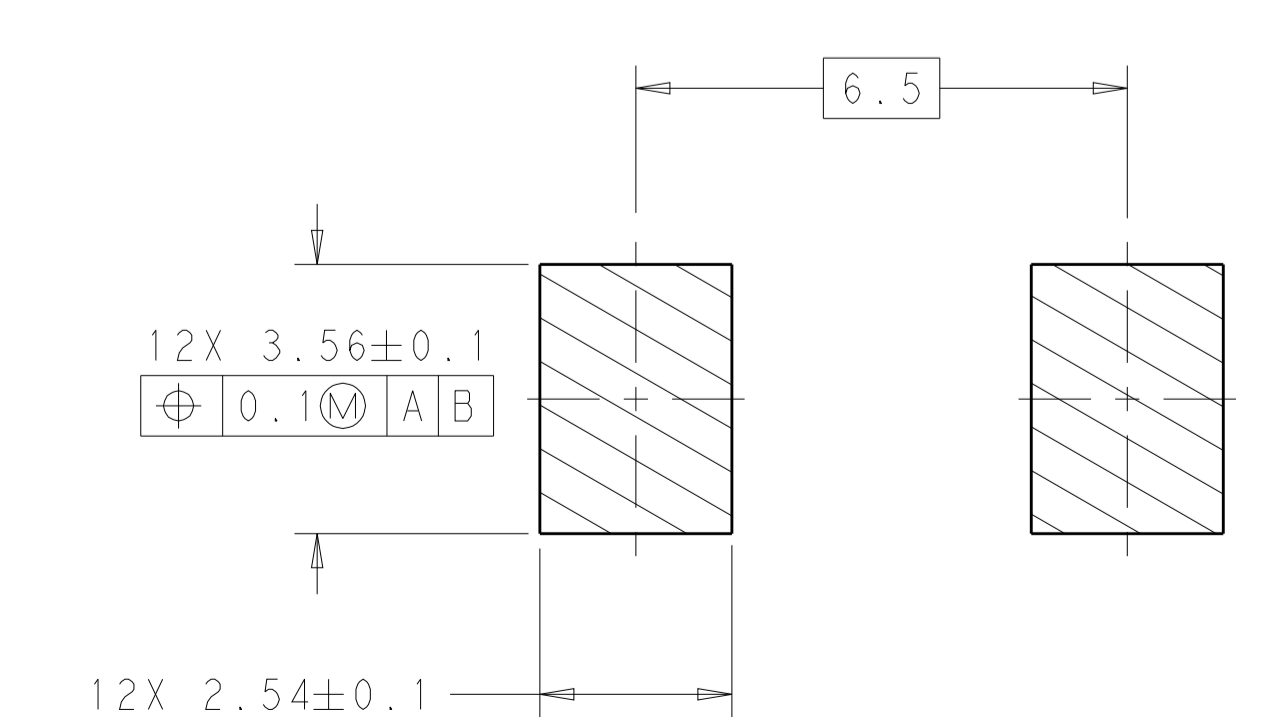
THIS DRAWING IS A CONTROLLED DOCUMENT.		OWN: B. MATTHEWS 15NOV2011	 TE Connectivity
DIMENSIONS: mm		CHK: M. SCHMITT 15NOV2011	
TOLERANCES UNLESS OTHERWISE SPECIFIED:		APPV: M. SCHMITT 15NOV2011	
0 PLC ±0.1 1 PLC ±0.1 2 PLC ±0.1 3 PLC ±0.1 4 PLC ±0.1 ANGLES ±1°		NAME: SFP+ ENHANCED 1X6 CAGE ASSEMBLY, PRESS FIT, EXTERNAL EMI SPRINGS WITH HEATSINK AND LIGHTPIPE PRODUCT SPEC: 108-2364 APPLICATION SPEC: 114-13120 WEIGHT: - MATERIAL: - FINISH: -	
MATERIAL: -		SIZE: 114-13120	RESTRICTED TO: -
Customer Drawing		SCALE: 4:1	SHEET: 2 OF 4



DETAIL A  
6X INDIVIDUALLY  
SCALE 10:1



DETAIL X  
RECOMMENDED PT CONNECTOR LAYOUT  
6X INDIVIDUALLY  
SCALE 10:1



DETAIL W  
SCALE 10:1

RECOMMENDED PCB CONFIGURATION  
WITH KEEP-OUT AREAS  
SINGLE SIDED APPLICATIONS  
SCALE 4:1

CROSS-HATCHED AREA  
DENOTES COMPONENT  
AND TRACE KEEP-OUT  
(EXCEPT CHASSIS  
GROUND)

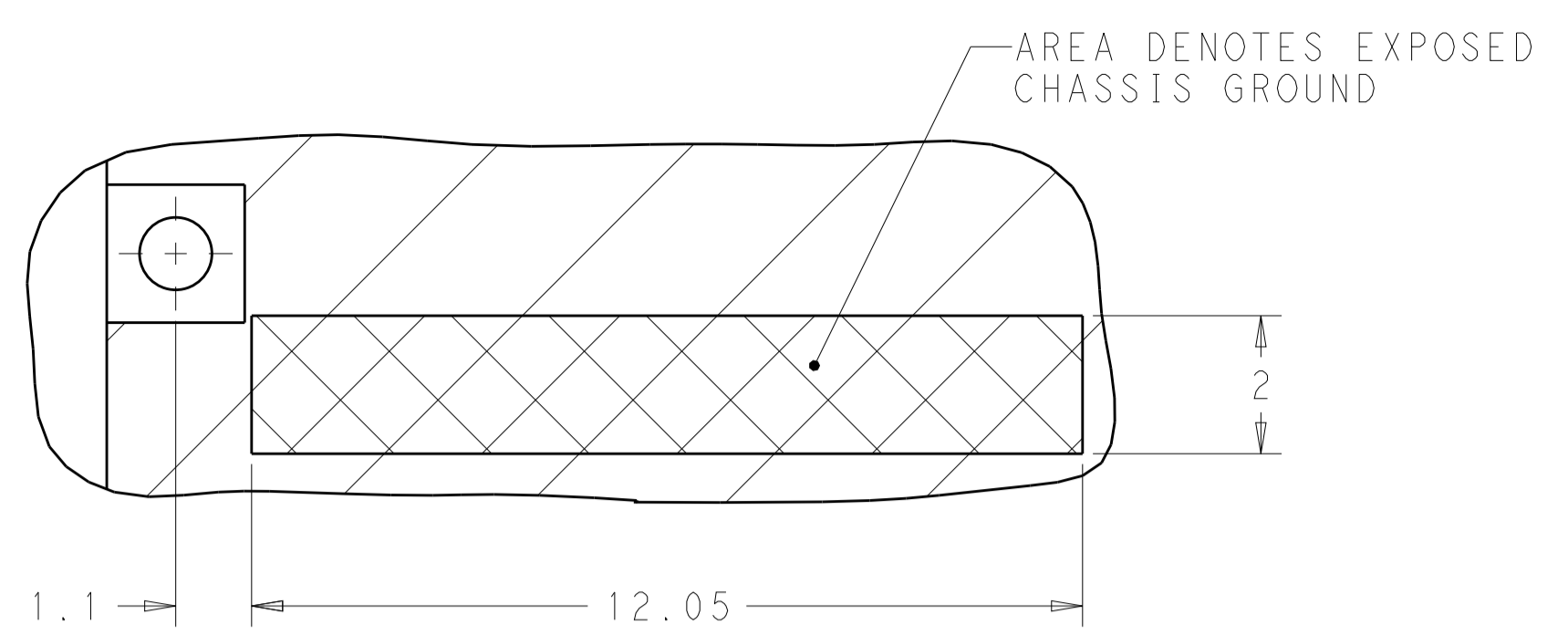
THIS DRAWING IS A CONTROLLED DOCUMENT.		OWN: B. MATTHEWS 15NOV2011	REVISIONS	
DIMENSIONS: mm		CHK: M. SCHMITT 15NOV2011	REV	DATE
TOLERANCES UNLESS OTHERWISE SPECIFIED:		APPD: M. SCHMITT 15NOV2011	DESCRIPTION	DATE
0 PLC ±0.1		PRODUCT SPEC		
1 PLC ±0.1		108-2364		
2 PLC ±0.1		APPLICATION SPEC		
3 PLC ±0.1		114-13120		
4 PLC ±0.1		WEIGHT		
ANGLES ±1*		Customer Drawing		

<b>STE</b> TE Connectivity	
NAME: SFP+ ENHANCED 1X6 CAGE ASSEMBLY, PRESS FIT, EXTERNAL EMI SPRINGS WITH HEATSINK AND LIGHTPIPE	
SIZE: CAGE CODE DRAWING NO: A100779	
SCALE: 4:1	SHEET 3 OF 4

LOC	DIST	REV	DATE	BY	APPV
GP	00				

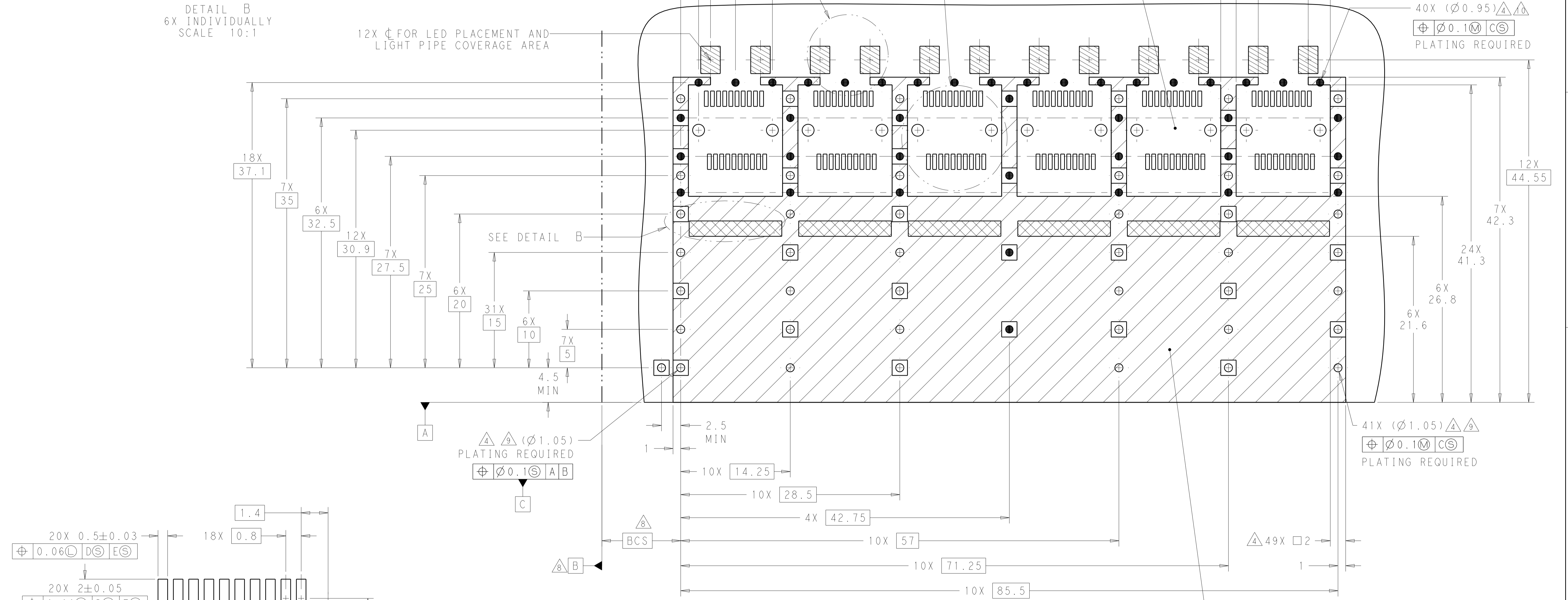
  

REVISIONS			
NO.	DESCRIPTION	DATE	BY
-	SEE SHEET 1	-	-



DETAIL B  
6X INDIVIDUALLY  
SCALE 10:1

12X  $\phi$  FOR LED PLACEMENT AND LIGHT PIPE COVERAGE AREA

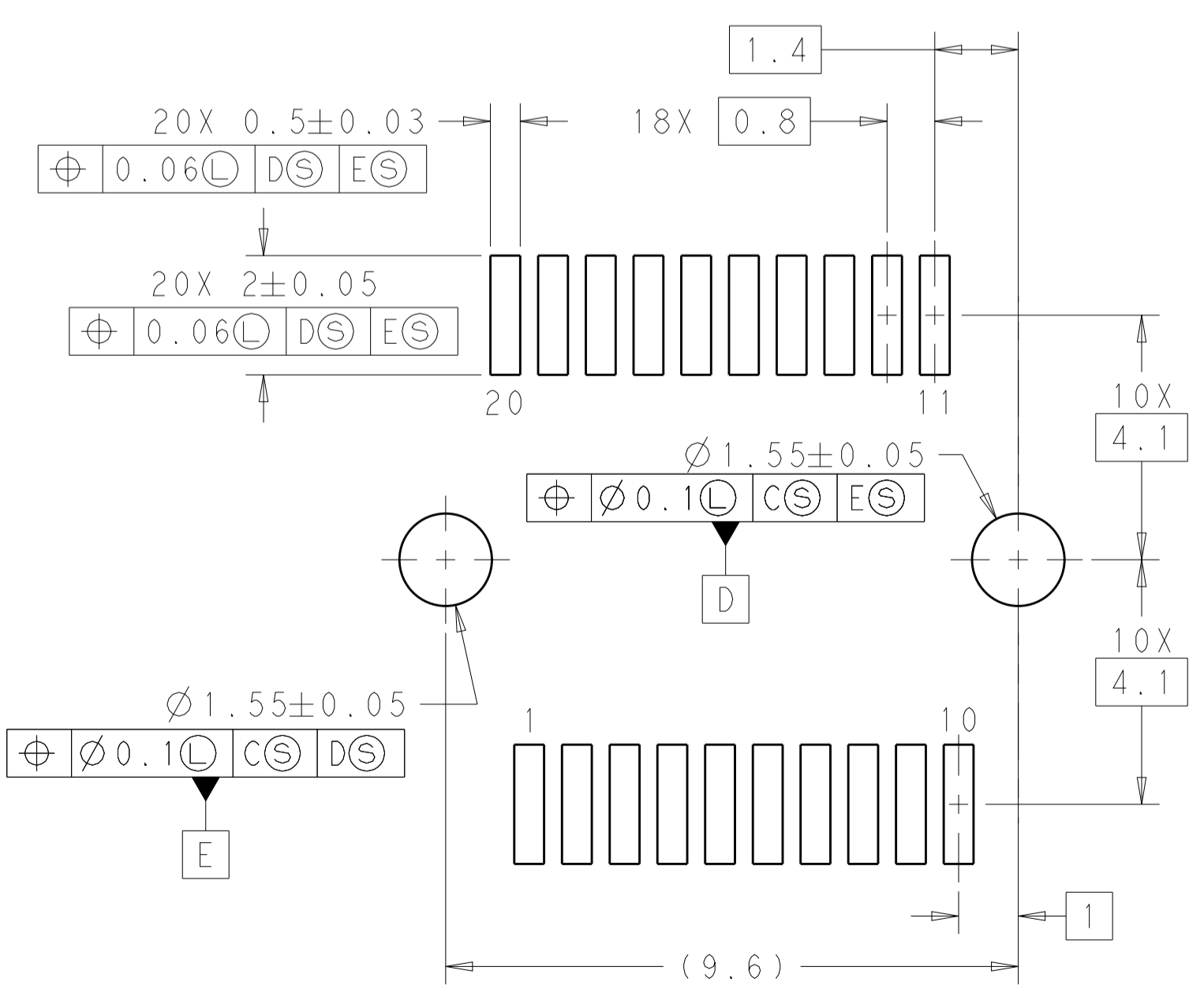


4 (phi 1.05) PLATING REQUIRED  
phi 0.1 A B

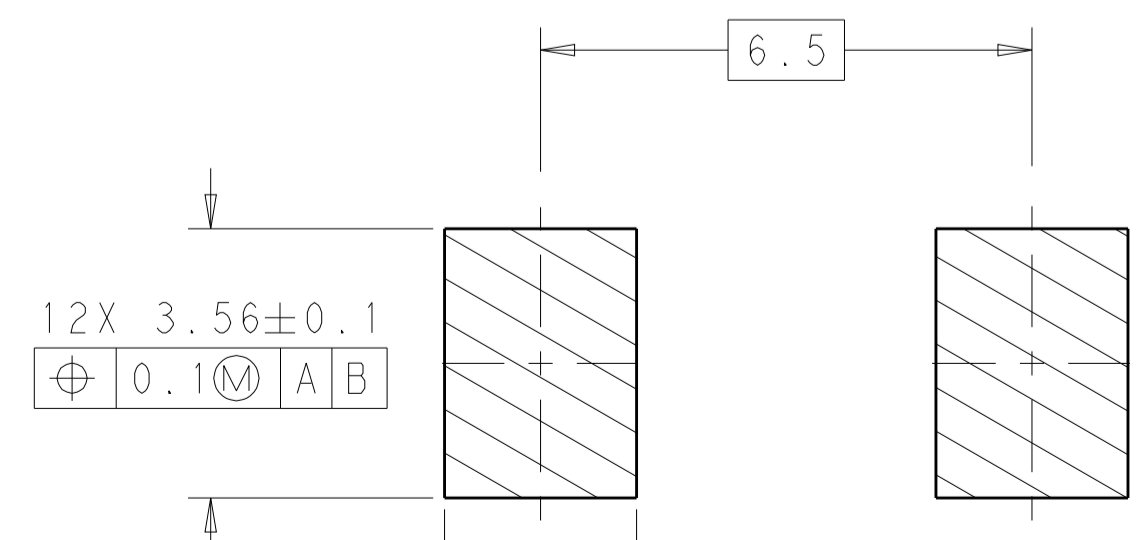
41X (phi 1.05) PLATING REQUIRED  
phi 0.1 M CS

RECOMMENDED PCB CONFIGURATION WITH KEEP-OUT AREAS BELLY TO BELLY APPLICATIONS SCALE 4:1

CROSS-HATCHED AREA DENOTES COMPONENT AND TRACE KEEP-OUT (EXCEPT CHASSIS GROUND)



DETAIL Y  
RECOMMENDED PT CONNECTOR LAYOUT  
12X INDIVIDUALLY  
SCALE 10:1



DETAIL Z  
SCALE 10:1

THIS DRAWING IS A CONTROLLED DOCUMENT.		OWN: B. MATTHEWS 15NOV2011	TE Connectivity
DIMENSIONS: mm		CHK: M. SCHMITT 15NOV2011	
TOLERANCES UNLESS OTHERWISE SPECIFIED:		APPV: M. SCHMITT 15NOV2011	NAME: SFP+ ENHANCED 1X6 CAGE ASSEMBLY, PRESS FIT, EXTERNAL EMI SPRINGS WITH HEATSINK AND LIGHTPIPE PRODUCT SPEC: 108-2364 APPLICATION SPEC: 114-13120 SIZE: 114-13120 WEIGHT: - CUSTOMER DRAWING
0 PLC +/-0.1		RESTRICTED TO	
1 PLC +/-0.1		SCALE: 4:1	
2 PLC +/-0.1		SHEET 4 OF 4	
3 PLC +/-0.1		REV: A	
4 PLC +/-0.1			
ANGLES +/-0.1			
FINISH: #1*			

单击下面可查看定价，库存，交付和生命周期等信息

[>>TE Connectivity\(泰科\)](#)