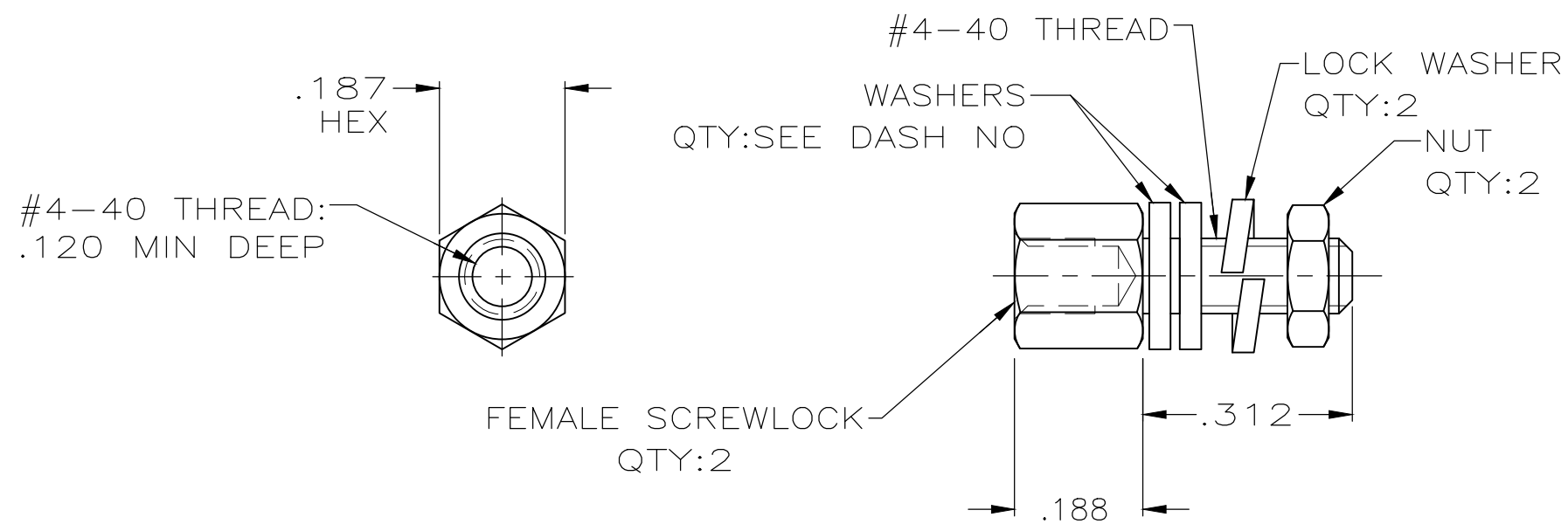


THIS DRAWING IS UNPUBLISHED. RELEASED FOR PUBLICATION  
 © COPYRIGHT - By - ALL RIGHTS RESERVED.

REVISIONS				
P	LTR	DESCRIPTION	DATE	APVD
E		REV PER ECO 18-017445	1-7-19	CT DM



- 1 ZINC PLATED .000200-000400 THICK YELLOW CHROMATE COATING.
- 2 ZINC PLATED .000200-000400 THICK CLEAR CHROMATE COATING.
- 3. PARTS PACKAGED UNASSEMBLED.
- 4 PARTS PACKED AS A UNIT KIT.
- 5 PARTS INDIVIDUALLY BULK PACKED & SHIPPED AS A UNIT PACKAGE.
- 6. IDENTIFIED BY MIL SPEC PART NUMBER M24308/26-1Z FOR -8 ONLY & TE PART NUMBER (FOR ALL DASH NUMBERS).
- 7 CHROMATE FINISH PER ASTM B633 EXCEPT FOR USE OF TRIVALENT CHROMIUM TO MEET RoHS REGULATIONS.

OBSOLETE				
	4	6	1	5205817-9
	4	6	1/7	5205817-8
	5	4	2	5205817-4
	4	4	2	5205817-3
	5	4	1	5205817-2
	4	4	1	5205817-1
	PACKAGING	NO OF WASHERS	FINISH	PART NUMBER

THIS DRAWING IS A CONTROLLED DOCUMENT.		DWN S.WAITMAN 27JUN05	<b>STE</b> TE Connectivity		
DIMENSIONS: INCHES		CHK C.ROHDE 27JUN05			
TOLERANCES UNLESS OTHERWISE SPECIFIED:		APVD M.WALMSLEY 27JUN05	NAME KIT, SCREWLOCK, FEMALE, AMPLIMITE		
0 PLC ± -		PRODUCT SPEC -	-		
1 PLC ± -		APPLICATION SPEC -	SIZE	CAGE CODE	DRAWING NO
2 PLC ± -		WEIGHT 0.000000	A3	00779	C-5205817
3 PLC ± .005		CUSTOMER DRAWING	SCALE 4:1	SHEET 1 OF 1	REV E
4 PLC ± -					
ANGLES ± -					
MATERIAL COLD ROLLED STEEL		FINISH SEE TABLE			

单击下面可查看定价，库存，交付和生命周期等信息

[>>TE Connectivity\(泰科\)](#)