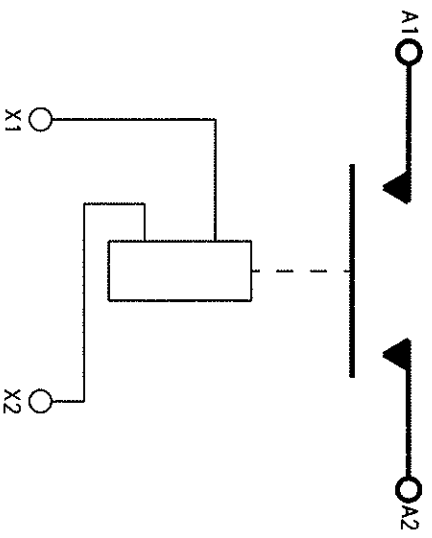
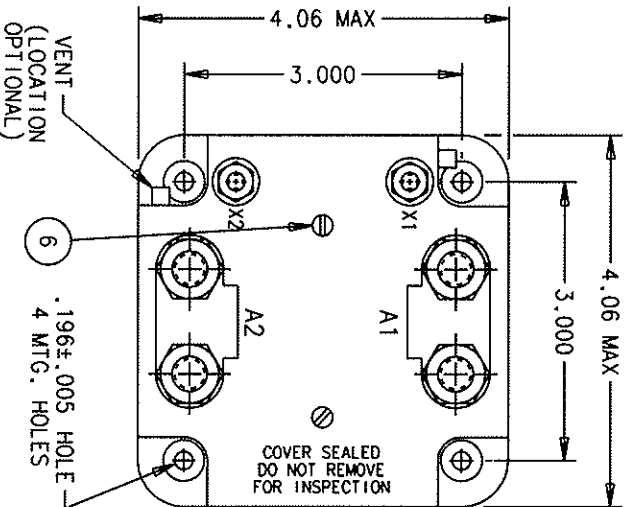
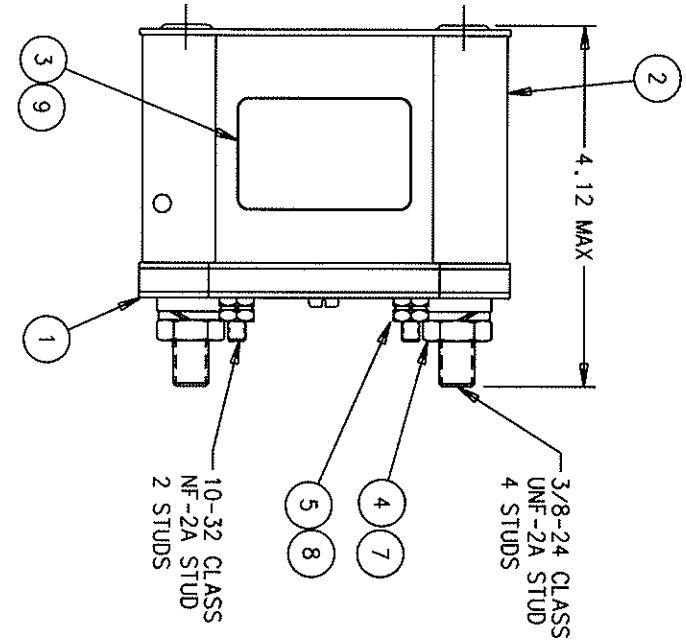


REV. A-712H		REV.
REVISIONS	DESCRIPTION	DATE
L	409791 REDRAWN, FIND NO 9 ADDED	99/11/24
		RS



CONFIGURATION CONTROLLED

MAX OPERATING VOLTAGE 29 VOLTS
 PICKUP VOLTAGE (HOT) 8 VOLTS MAX
 DROPOUT VOLTAGE (HOT) 3 VOLTS MAX
 RATED LOAD, RESISTIVE 600 AMP
 MINIMUM OPERATING PERIOD 2 MIN. ON
 20 MIN. OFF
 MAX WEIGHT 3 LBS 2 OZ
 RATED DUTY INTERMITTENT
 NOMINAL COIL VOLTAGE 24-28 VOLTS
 AMBIENT TEMPERATURE -30°F TO +220°F

QTY	PART OR IDENTIFYING NO	DESCRIPTION	MATERIAL
1	39529-001	OVERLAY	
2	51810-054	WASHER - LOCK, No.10 SPL IT	BRONZE
4	51807-084	WASHER - LOCK 3/8 SPL IT	BRONZE
2	51200-030	SCREW No. 4 x 5/16 PANI HD. SHI MET.	S. STEEL
2	50410-084	NUT No. 10-32 X 3/8 X 1/8 HEX.	BRASS
4	50407-164	NUT 3/8-24 X 5.8 X 7/32 HEX.	BRASS
3	16043-001	PLATE - NAME	
1	13548-050	CONTRACTOR ASSY - PRIMARY	
1	08432-001	PLATE - BASE COVER	

UNLESS OTHERWISE SPECIFIED DIMENSIONS ARE IN INCHES TOLERANCES IN		HARTMAN ELECTRICAL MANUFACTURING MANSFIELD, OHIO	
±.06	±.010	±.1°	
2 PL DEC. 3 PL DEC. ANGLES		MATERIAL	
DR BY	RLS	99/12/16	
CHK BY	RS	99/12/22	
ENGR	TL	99/11/22	
MFG	TC	99/12/22	

REF	BELL LCAC	SIZE	CODE IDENT	DWG NO.
		C	74063	A-712H
RELEASE	CONTR NO.	SCALE	NONE	SHEET

单击下面可查看定价，库存，交付和生命周期等信息

[>>TE Connectivity\(泰科\)](#)