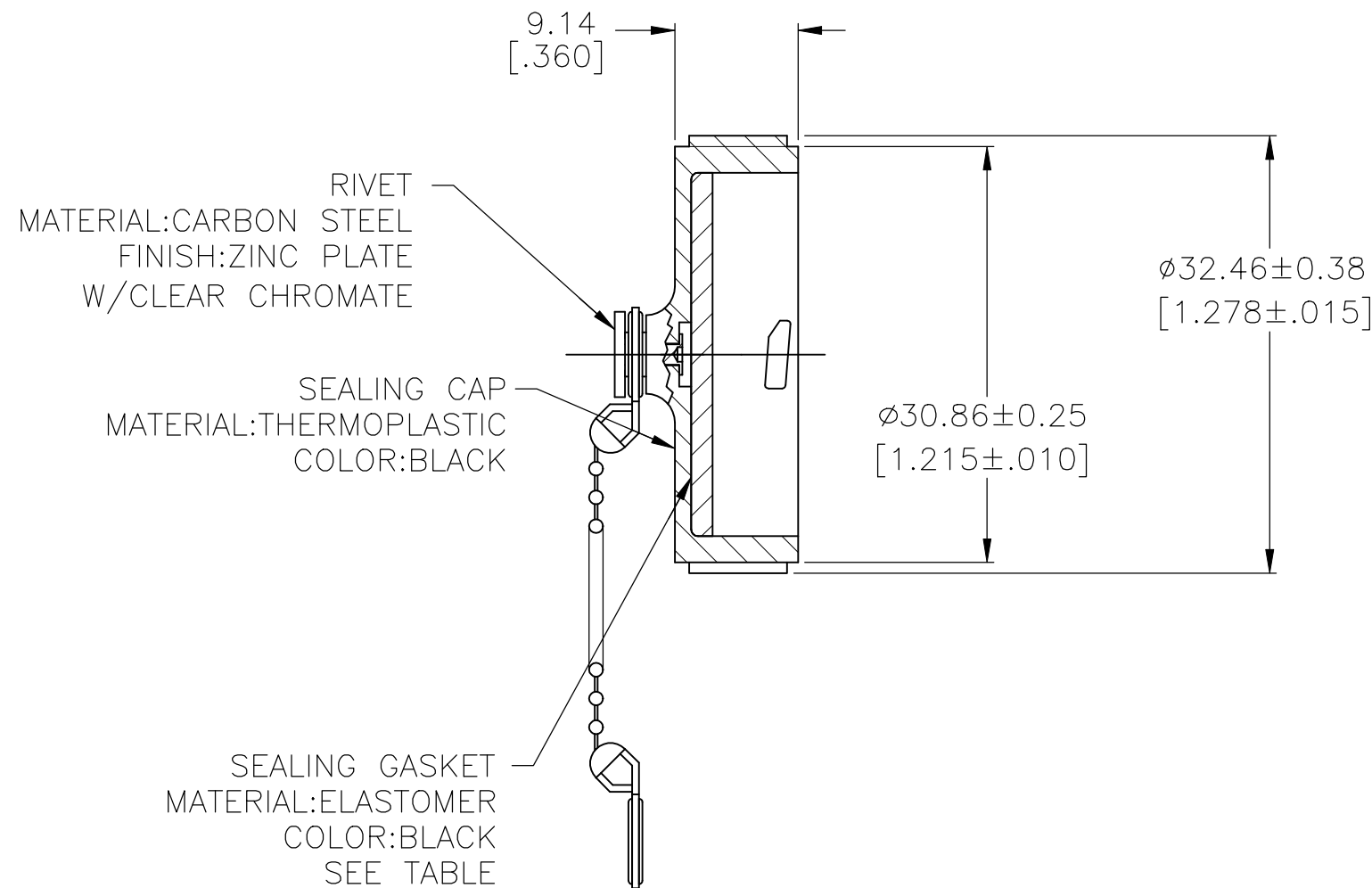
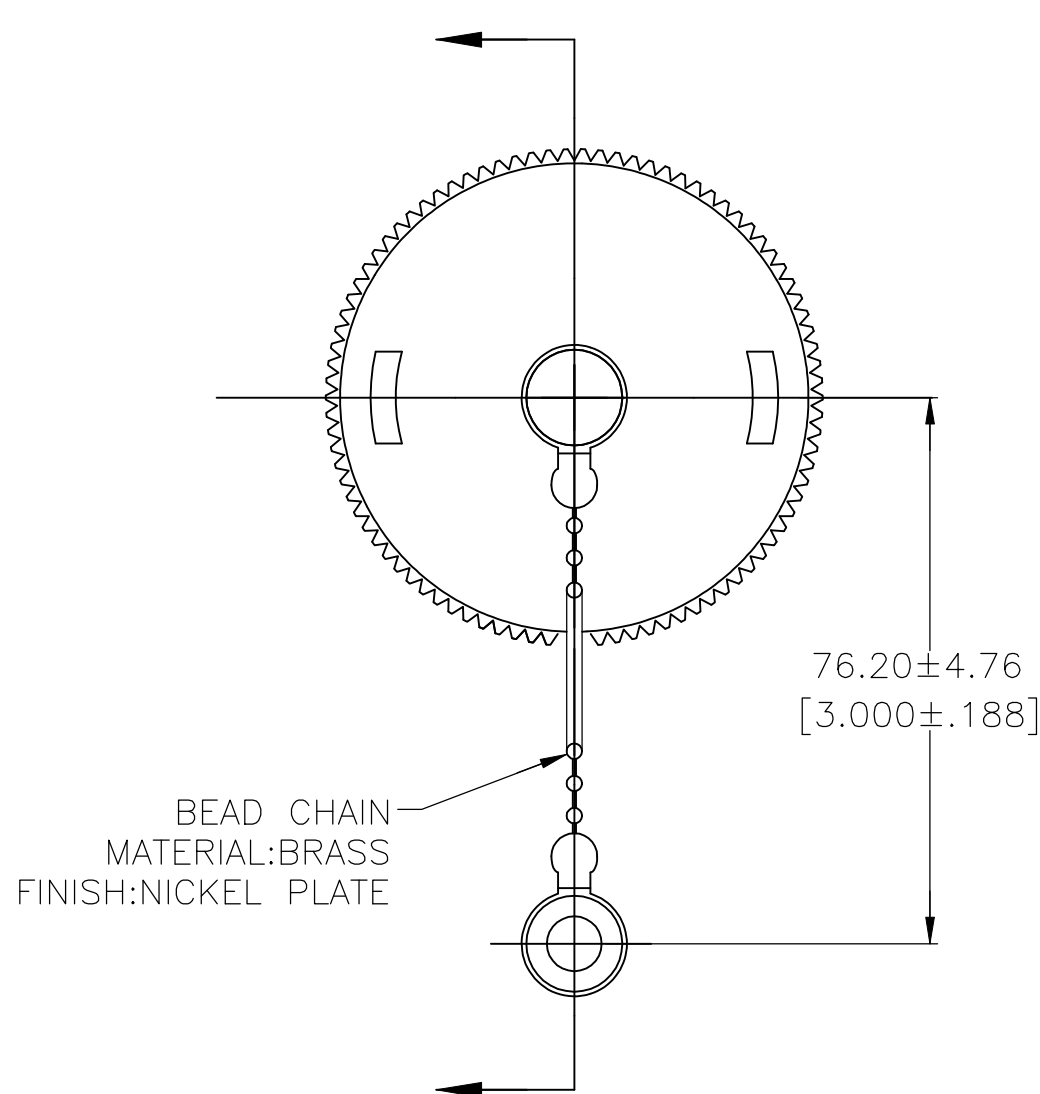


REVISIONS

P	LTR	DESCRIPTION	DATE	DWN	APVD
	D	REDRAWN & REV PER EC 0020-680-93	14 AUG 97	-	KD
	E	ADDED -2 PER EC 0320-273-97	14 AUG 97	-	KD
	E1	REVISED PER ECO-19-001991	09FEB2019	RS	MZ



NO	208652-2
YES	208652-1
SEALING GASKET	PART NUMBER

THIS DRAWING IS A CONTROLLED DOCUMENT.		DWN D.BROCKWAY 6-10-93	STE TE Connectivity		
		CHK R.STONE 7-1-93			
DIMENSIONS: mm [INCHES]	TOLERANCES UNLESS OTHERWISE SPECIFIED:	APVD AL FRANTUM 7-1-93 7-1-93	NAME SEALING CAP ASSY, SIZE 17, WITH BEAD CHAIN, CPC		
	0 PLC ± - 1 PLC ± - 2 PLC ± 0.13[.005] 3 PLC ± - 4 PLC ± - ANGLES ± -	PRODUCT SPEC -	APPLICATION SPEC -		
MATERIAL SEE CALLOUTS	FINISH SEE CALLOUTS	WEIGHT -	SIZE A3	CAGE CODE 00779	DRAWING NO C-208652
CUSTOMER DRAWING			RESTRICTED TO -	SCALE 2:1	SHEET 1 OF 1
			REV E1		

单击下面可查看定价，库存，交付和生命周期等信息

[>>TE Connectivity\(泰科\)](#)