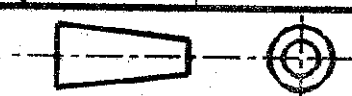
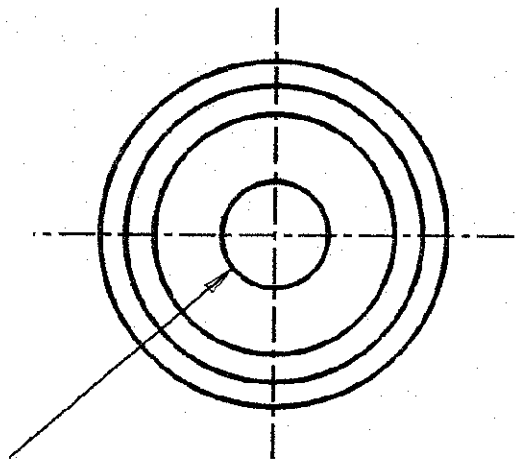


DO NOT SCALE

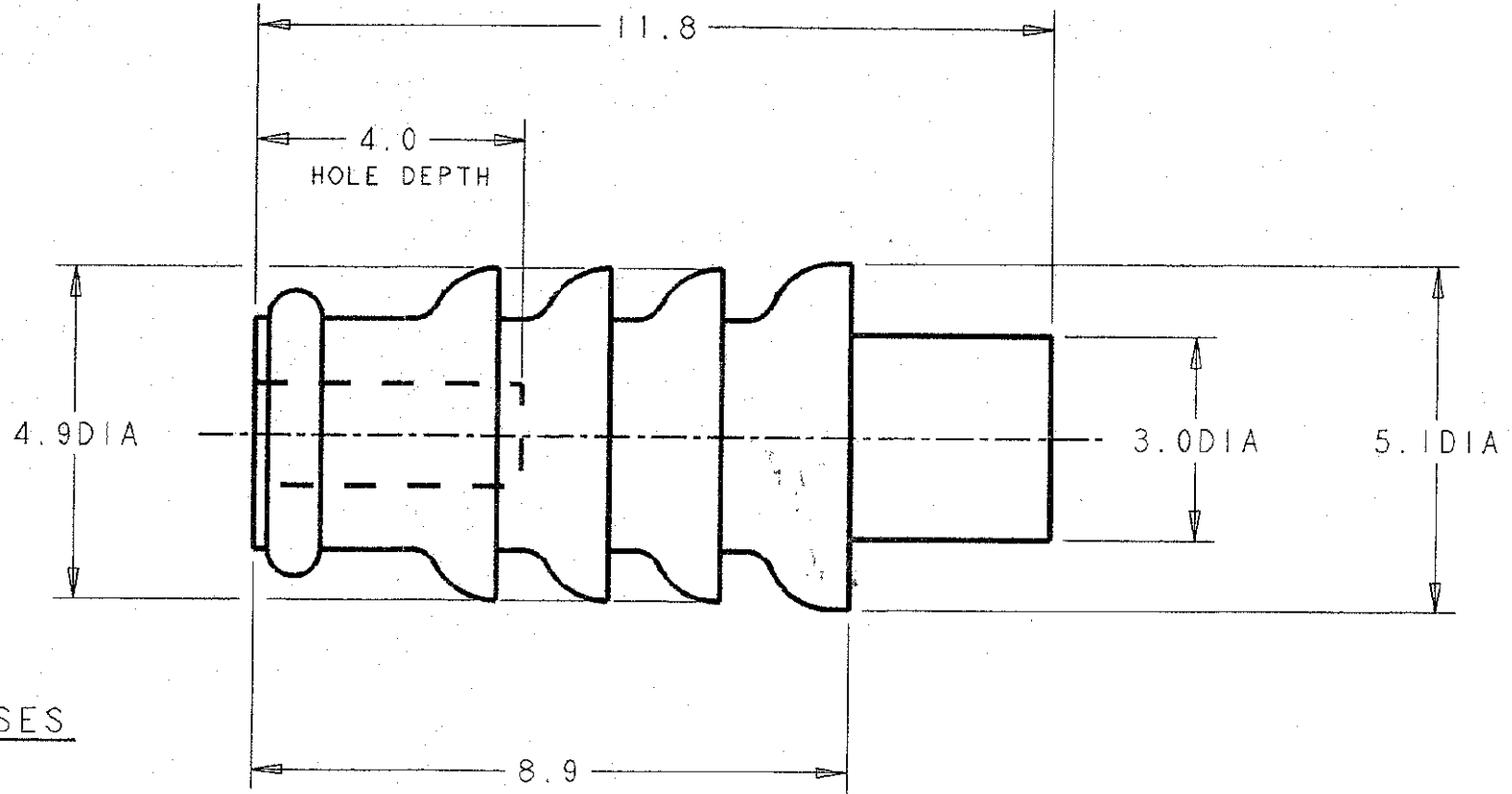
DIMENSIONS IN MM.



# AMP



HOLE: 1.5 DIA FOR TOOLING PURPOSES  
( Optional hole for tooling purposes )



THIS PLUG IS SUITABLE FOR BLANKING OFF UNUSED CAVITIES IN ECONOSEAL 3 LOW CURRENT CONNECTORS.

GREY		SELF-LUBRICATING SILICONE RUBBER		348461-1					
FINISH		MATERIAL		PART NUMBER					
CUSTOMER DWG FOR REFERENCE ONLY			© COPYRIGHT 1993 BY AMP OF GREAT BRITAIN LTD. ALL INTERNATIONAL RIGHTS RESERVED. ALL PRODUCTS MAY BE COVERED BY BRITISH AND FOREIGN PATENTS AND/OR PATENTS PENDING.						
TOLERANCES UNLESS OTHERWISE STATED :		DR. R.J.S.		22.9.93					
DEC ± 0.5		CH. K.W.		APP. J.P.					
ANGLES ± 1°									
NAME									
CAVITY REAR PLUG ECONOSEAL 3 LOW CURRENT									
REV	MODIFICATION	CHANGE No.	DATE	SCALE	LOC	SIZE	DWG.No.	REV	SHEET
1	PRELIM. ISSUE	EB00-93	22.09.93	10/1	E	A 3	C348461	A1	1 / 1

C.A.D. FILE CODE  
348461

单击下面可查看定价，库存，交付和生命周期等信息

[>>TE Connectivity\(泰科\)](#)