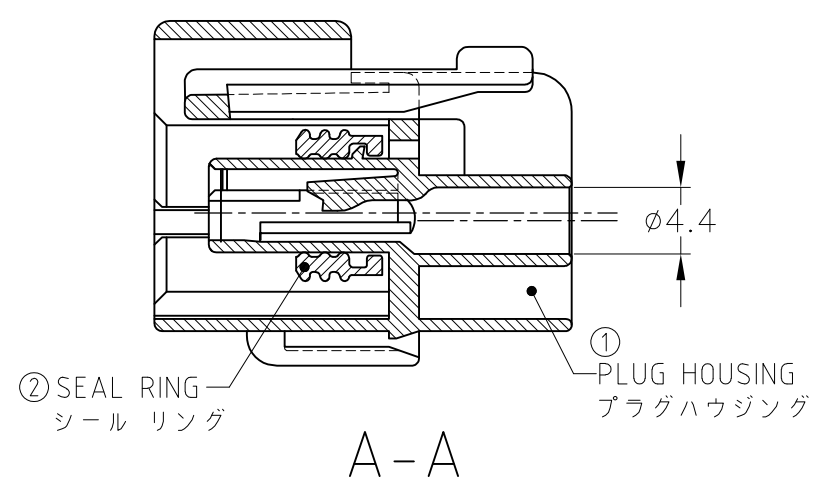
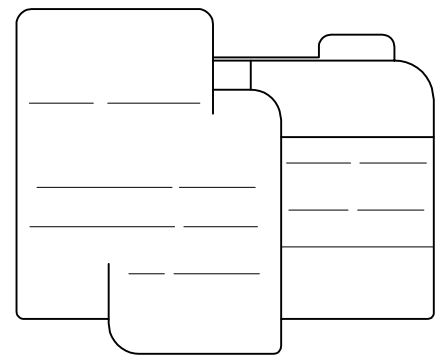
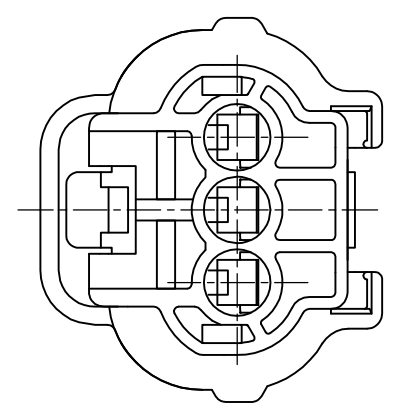
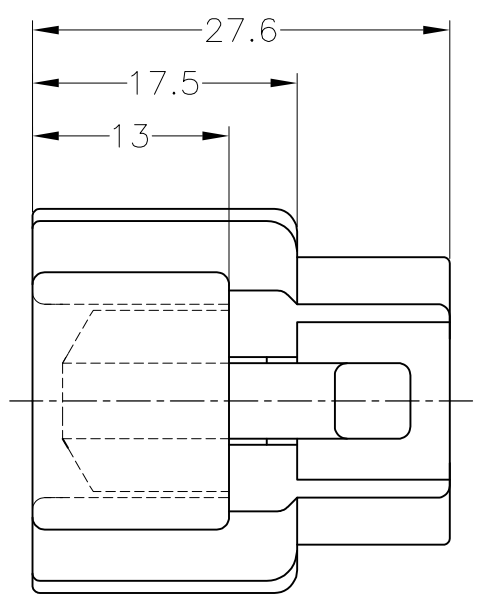
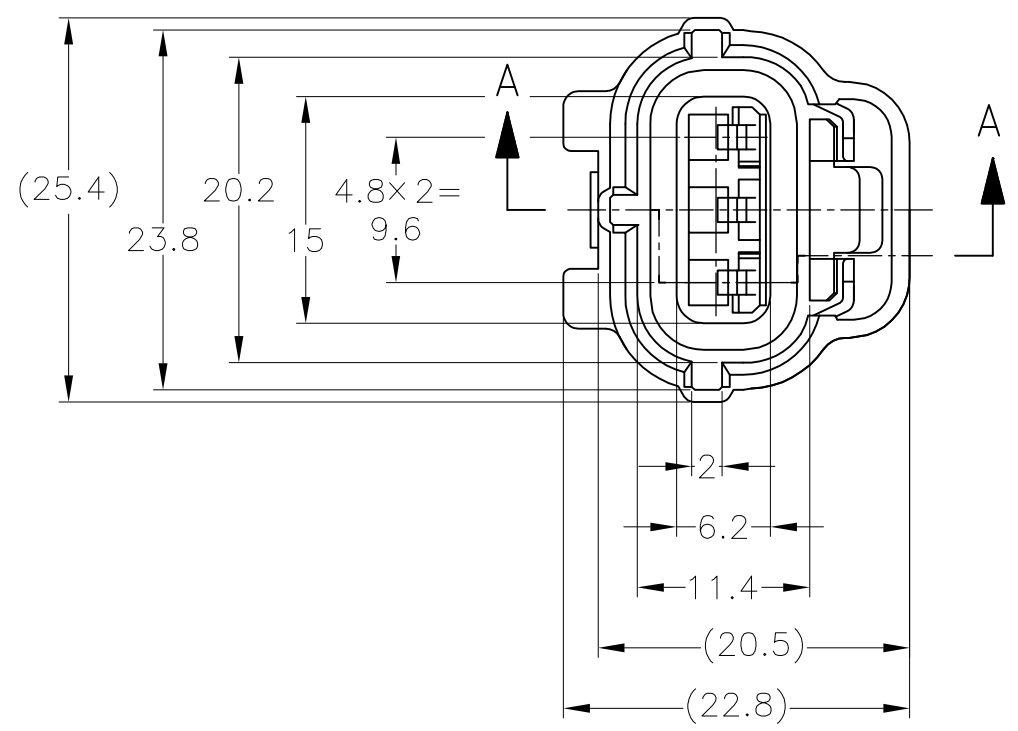


THIS DRAWING IS UNPUBLISHED. RELEASED FOR PUBLICATION JUN,2014 ,10 .
 © COPYRIGHT 2014 By Tyco Electronics Japan G.K. ALL RIGHTS RESERVED.

| LOC | DIST | REVISIONS | | | | | |
|-----|------|-----------|-----|-------------|---------|-----|------|
| J | — | P | LTR | DESCRIPTION | DATE | DWN | APVD |
| | | A | | RELEASED | 06AUG14 | DM | TK |

TOLERANCE UNLESS OTHERWISE SPECIFIED:
 一般公差
 0 < x ≤ 10 : ±0.2
 10 < x ≤ 30 : ±0.25
 30 < x ≤ 100 : ±0.3
 ANGLE : ±3°
 角度



- 1. 嵌合相手型番：174359, 173065
- 2. 本品はプラグハウジング単体にシールリングがアセンブリされたものである。
- 3. 本品はダブルロックプレート型番 174358を装着して使用する。
- ④ シールリングはフタル酸フリー品である。

- 1. FOR CAP HOUSING PN 174359, 173065
- 2. THIS PART IS COMPOSED OF PLUG HOUSING AND SEAL RING
- 3. THIS PART MUST BE USED WITH DOUBLE LOCK PLATE PN 174358
- ④ SEAL RING IS NON-BIS TYPE

| | | |
|------------------|----------------|-------------|
| NBR④/BLACK | PBT/BLACK | 2822350-1 |
| ② SEAL RING | ① PLUG HOUSING | PART NUMBER |
| MATERIAL / COLOR | | |

| | | | | | |
|---|--|----------------------------------|--|-------------------------|-----------------|
| THIS DRAWING IS A CONTROLLED DOCUMENT. | | DWN D.MATSUURA 06AUG2014 | STE TE Connectivity | | |
| DIMENSIONS: 単位：mm 耗 mm | | CHK S.IWATANI 06AUG2014 | | | |
| TOLERANCES UNLESS OTHERWISE SPECIFIED: 一般公差 | | APVD T.KOHNO 06AUG2014 | NAME 3Pos. ECONOSEAL J-MARKII+ CONNECTOR PLUG HOUSING VERSION II | | |
| 0 PLC ± - | | PRODUCT SPEC 製品規格 108-5262 | SIZE A3 | | |
| 1 PLC ± - | | APPLICATION SPEC 取付適用規格 114-5082 | CAGE CODE 00779 | DRAWING NO 番号 C-2822350 | RESTRICTED TO - |
| 2 PLC ± - | | WEIGHT 6.0g | SCALE 尺度 2:1 | | |
| 3 PLC ± - | | CUSTOMER DRAWING | | | |
| 4 PLC ± - | | SHEET 1 OF 2 | | | |
| ANGLES ± - | | REV A | | | |
| FINISH 仕上 - | | | | | |
| MATERIAL 材料 SEE TABLE | | | | | |

THIS DRAWING IS UNPUBLISHED.

RELEASED FOR PUBLICATION JUN,2014 ,10 .

© COPYRIGHT 2014 By Tyco Electronics Japan G.K.

ALL RIGHTS RESERVED.

LOC J

DIST -

REVISIONS

変更

DESCRIPTION

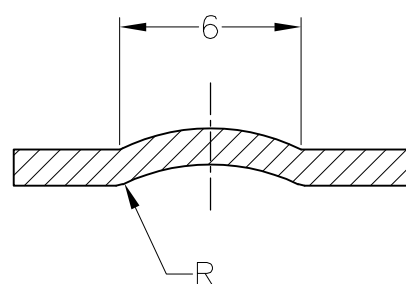
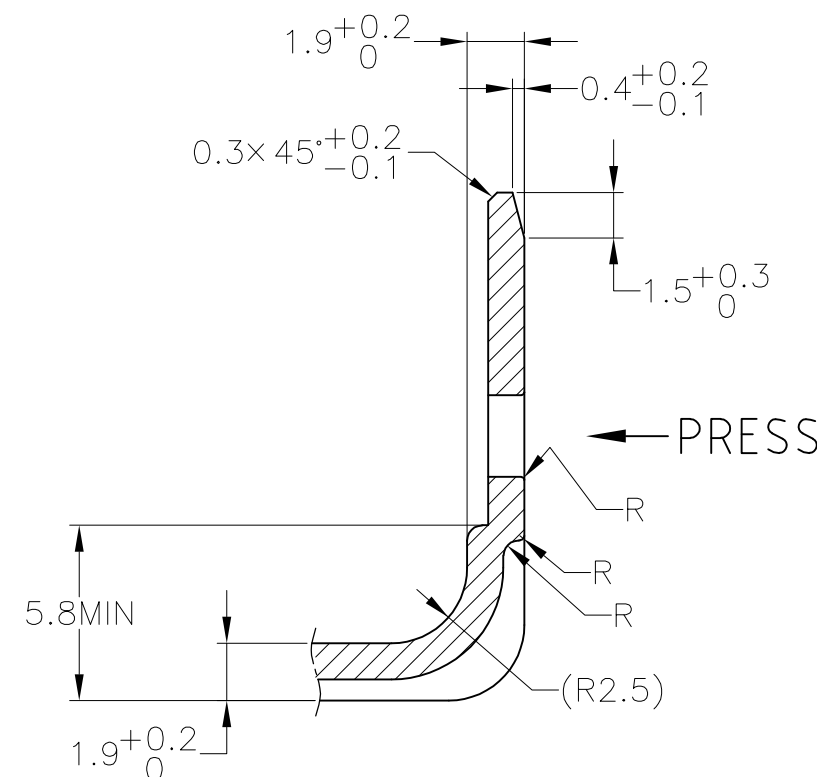
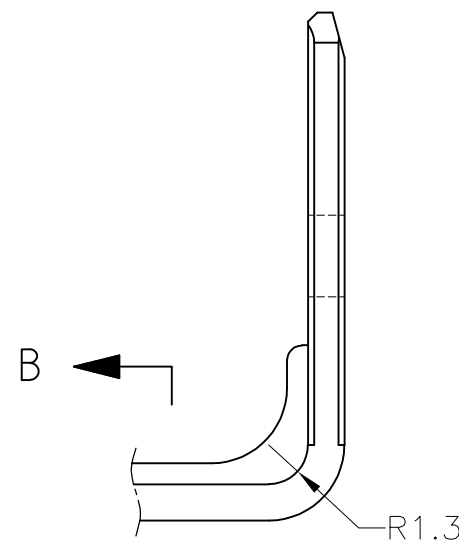
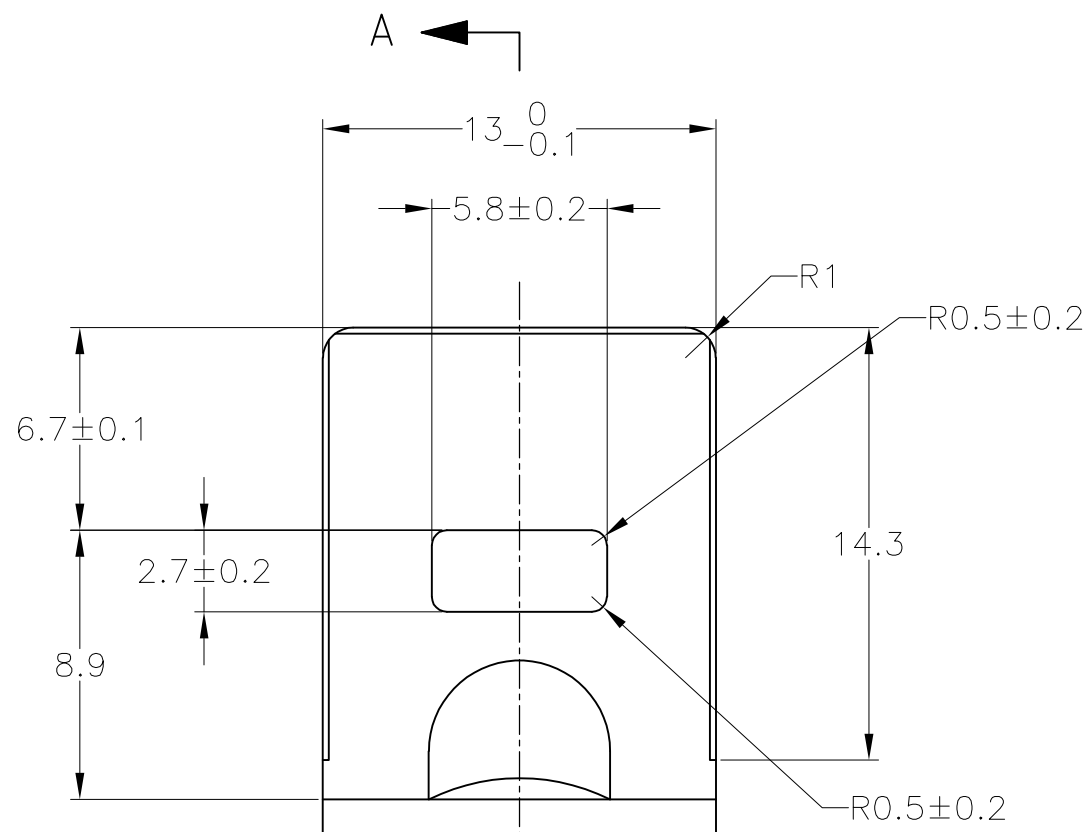
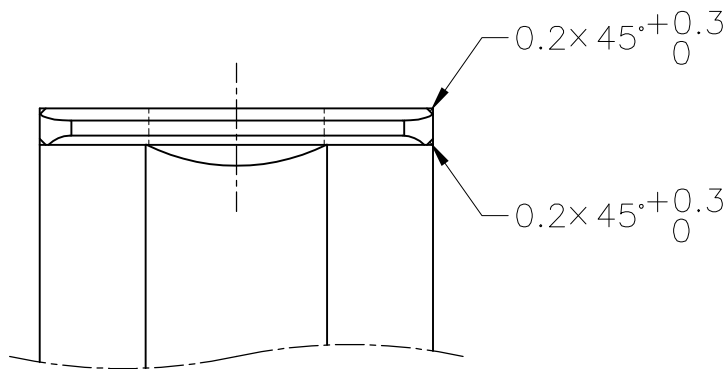
DATE

DWN

APVD

SEE SHEET 1

ブラケット推奨寸法図
RECOMMENDED DIMENSION OF BRACKET

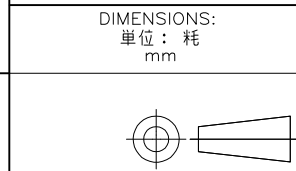


t = 1.2 ± 0.08

TOLERANCE UNLESS OTHERWISE SPECIFIED:
一般公差

| | |
|--------------|---------|
| 0 < x ≤ 10 | : ±0.2 |
| 10 < x ≤ 30 | : ±0.25 |
| 30 < x ≤ 100 | : ±0.3 |
| ANGLE ; 角度 | : ±3° |

THIS DRAWING IS A CONTROLLED DOCUMENT.



TOLERANCES UNLESS OTHERWISE SPECIFIED:
一般公差

| | |
|--------|-----|
| 0 PLC | ± - |
| 1 PLC | ± - |
| 2 PLC | ± - |
| 3 PLC | ± - |
| 4 PLC | ± - |
| ANGLES | ± - |

MATERIAL 材料

FINISH 仕上

DWN D.MATSUURA 06AUG2014

CHK S.IWATANI 06AUG2014

APVD T.KOHNO 06AUG2014

PRODUCT SPEC 製品規格

APPLICATION SPEC 取付適用規格

WEIGHT

CUSTOMER DRAWING



3Pos. ECONOSEAL J-MARKII+ CONNECTOR PLUG HOUSING VERSION II

SIZE A3 CAGE CODE 00779 DRAWING NO. 番号 C-2822350

SCALE 尺度 4:1 SHEET 2 OF 2 REV A

单击下面可查看定价，库存，交付和生命周期等信息

[>>TE Connectivity\(泰科\)](#)