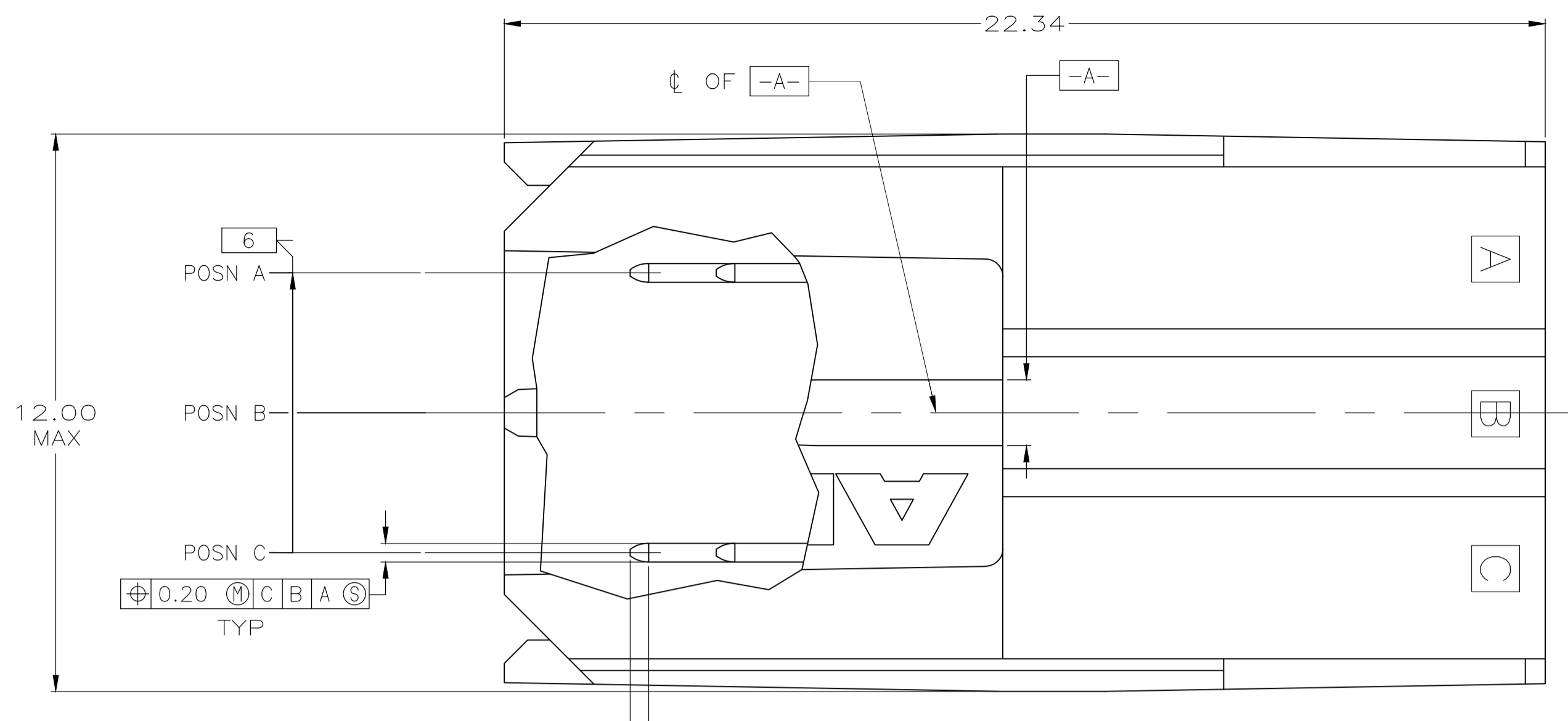
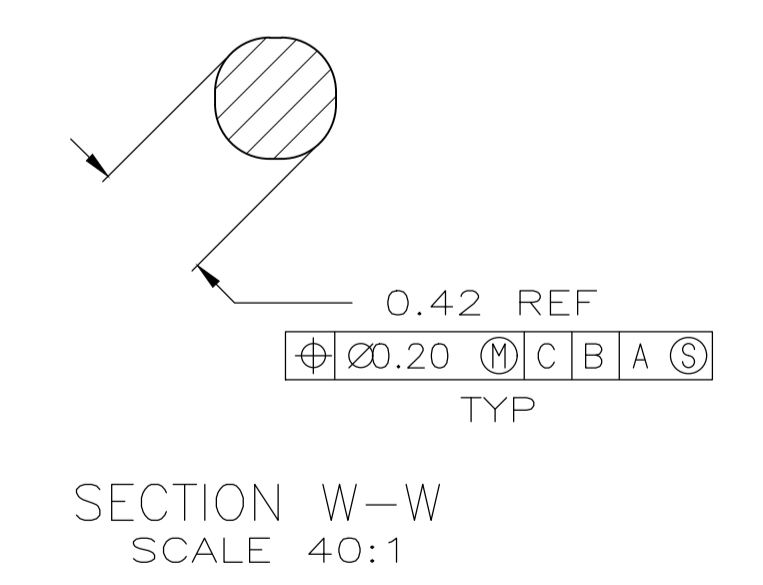
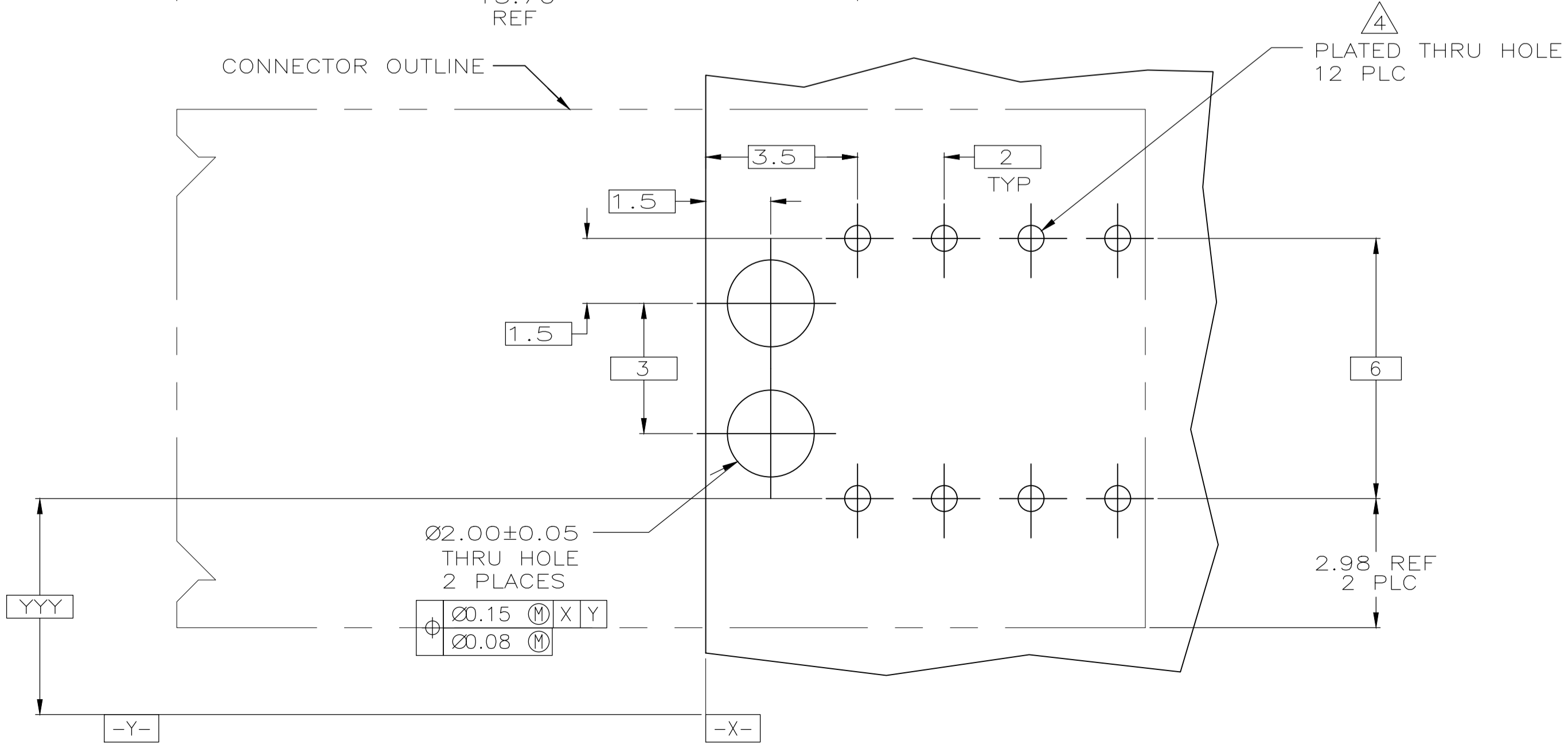
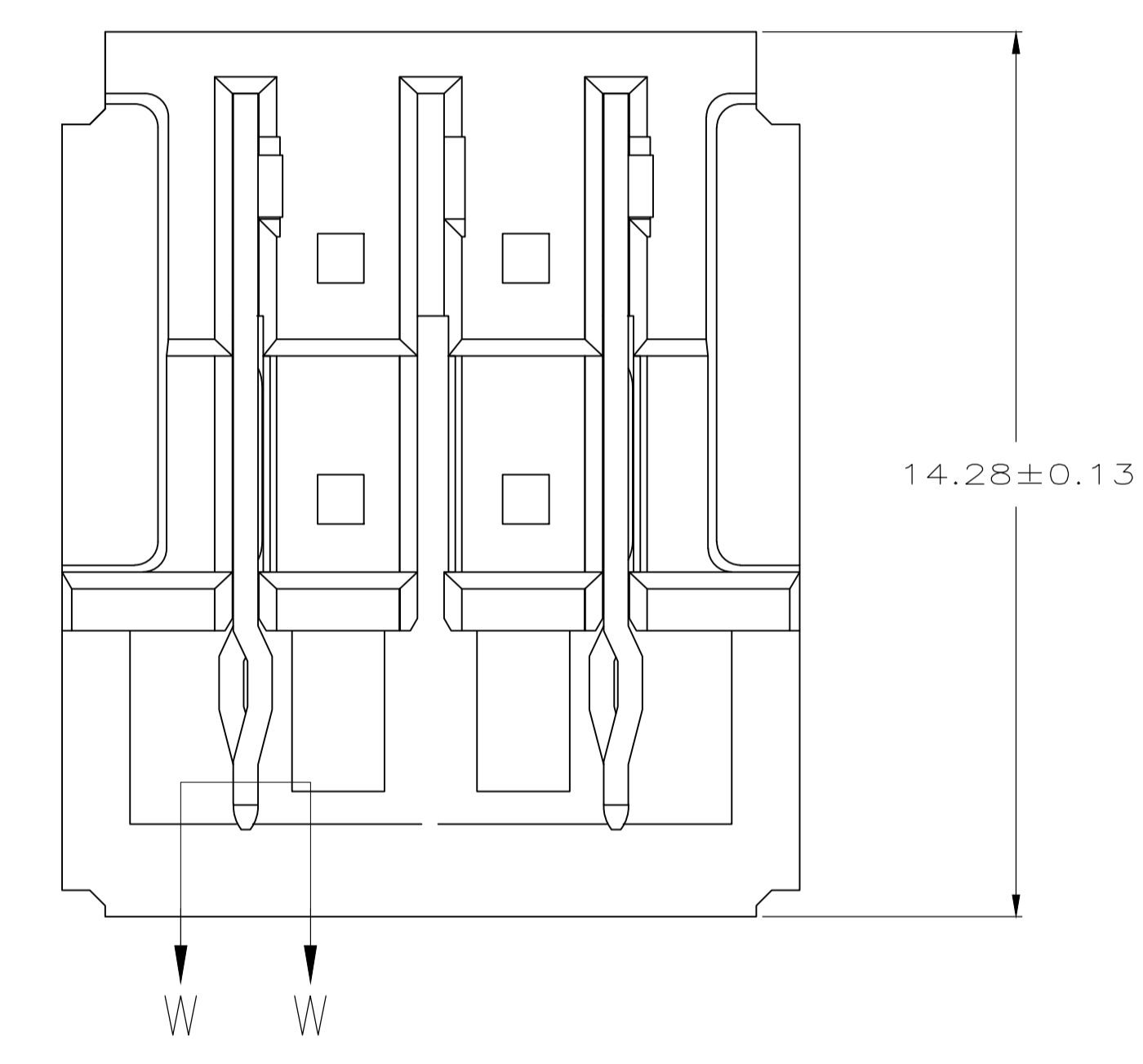
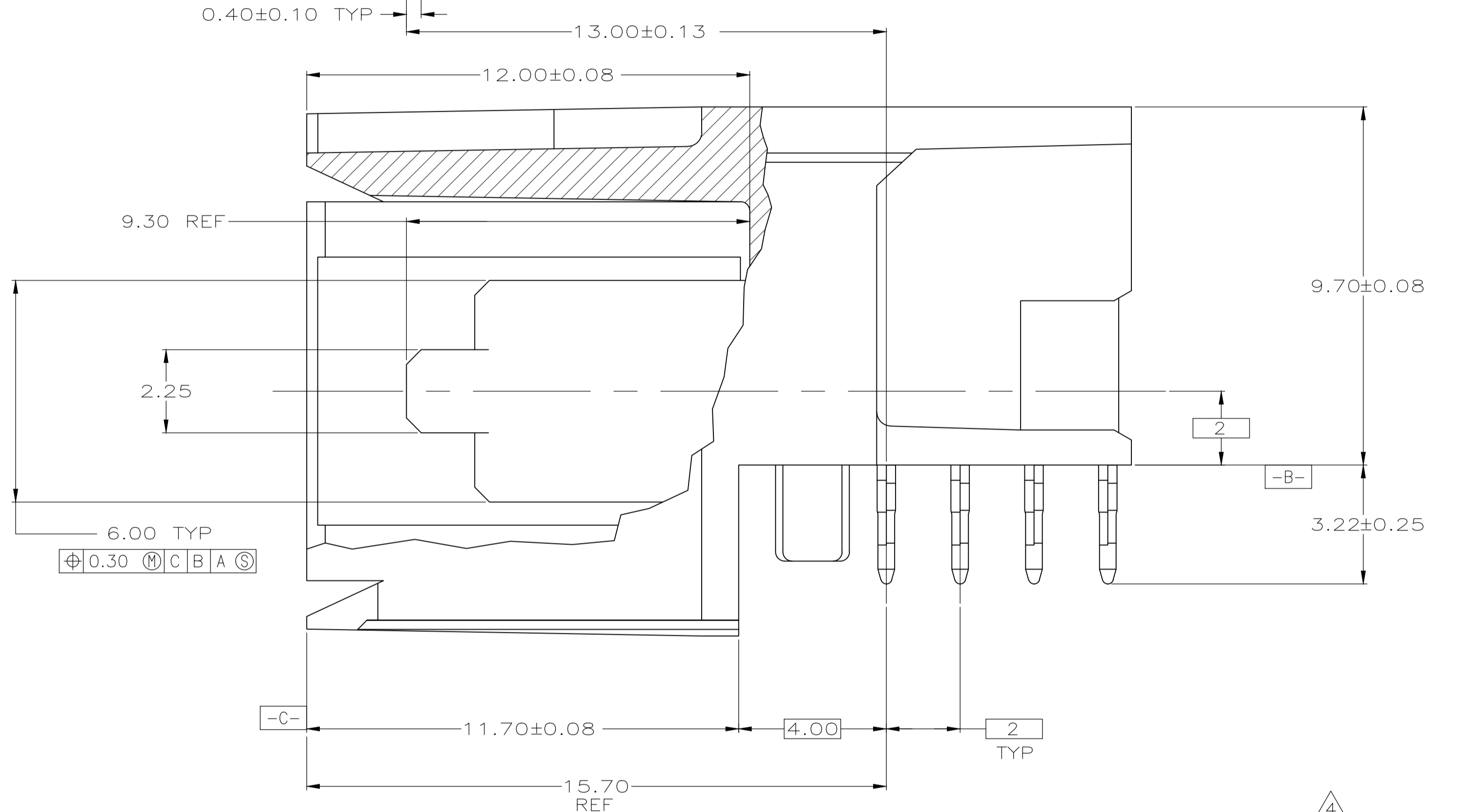
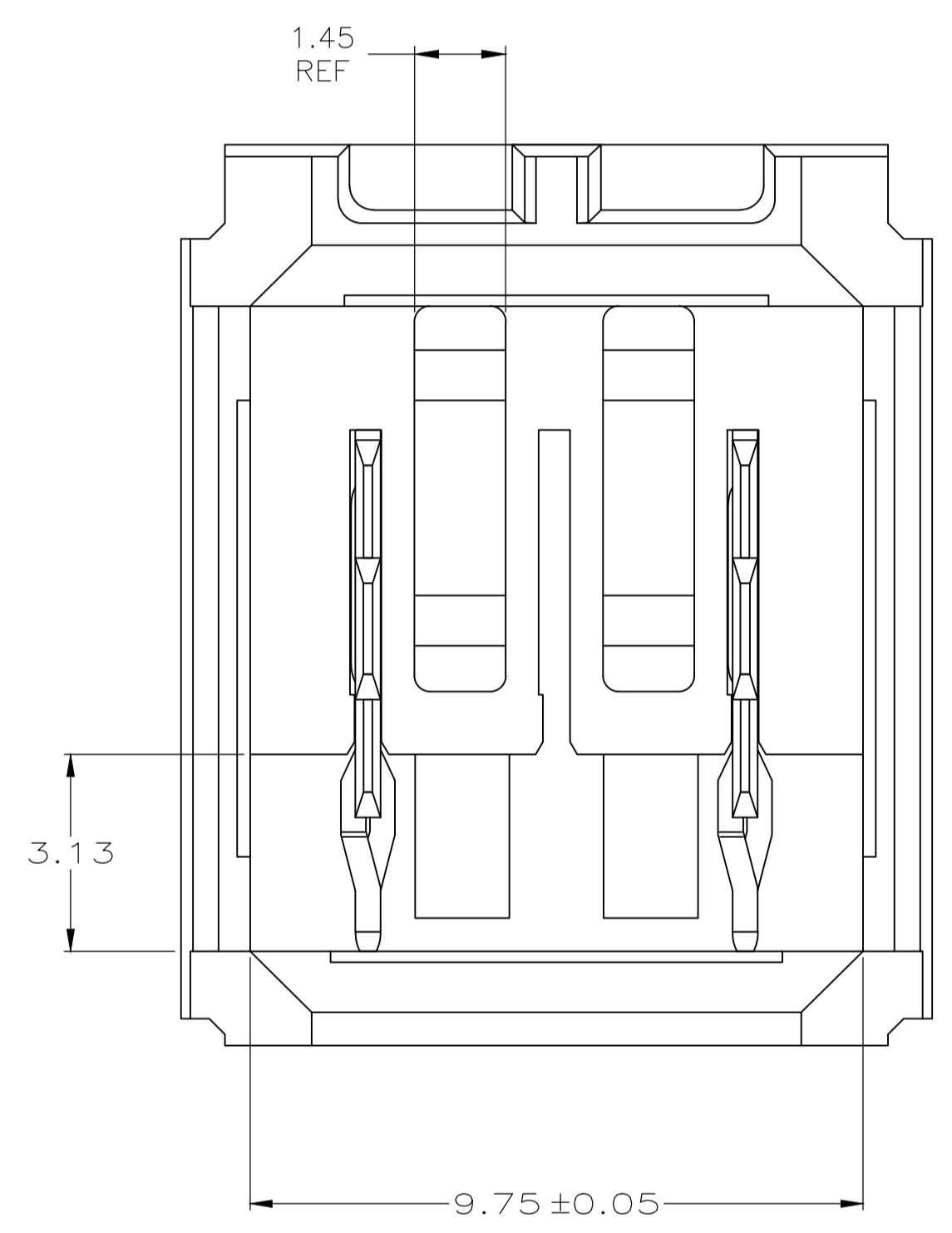


LOC		DIST		REVISIONS			
AD	00	REV	PER	DESCRIPTION	DATE	DWN	APVD
D1	REV PER	ECO-20-004668			08JUN2020	ML	SZ



- 1 MATERIAL: HOUSING: POLYESTER, COLOR: GRAY. CONTACT: COPPER ALLOY
- 2 FINISH: IN ACCORDANCE WITH PRODUCT SPECIFICATION 108-1651, GOLD PLATING OR EQUIVALENT PLATING ON PRODUCT CONTACT MATING AREA, AND MATTE TIN PLATING ON COMPLIANT PIN AREA, ALL OVER MATTE NICKEL UNDERPLATED. DETAIL PLEASE REFER TO PRODUCT SPECIFICATION 108-1651.
- 3 FINISH: CONTACT LUBRICATION WITH BELLCORE APPROVED LUBRICANT. TECHNICAL REFERENCE: TR-NWT-001217 ISSUE 1, SEPT 1992.
- 4 REFERENCE APPLICATION SPEC 114-1103 FOR RECOMMENDED PLATED THRU HOLE DIAMETER AND PLATING THICKNESS.



5223975-1
PART NUMBER

THIS DRAWING IS A CONTROLLED DOCUMENT.		DIN: B. CARBO 130EC04	Tyco Electronics Corporation Harrisburg, PA 17105-3608
DIMENSIONS: mm		CHK: R. PATTERSON 130EC04	
TOLERANCES UNLESS OTHERWISE SPECIFIED:		NAME: R. PATTERSON 130EC04	ASSEMBLY, RIGHT ANGLE HEADER, W/ RETENTION PEGS, UNIVERSAL POWER MODULE
0 PLC ± -		PRODUCT SPEC: 108-1651	
1 PLC ± ± 0.13		APPLICATION SPEC: 114-1103	
2 PLC ± ± 0.13		SIZE: A1	
3 PLC ± ± -		WEIGHT: -	CUSTOMER DRAWING
4 PLC ANGLES ± ± -		SCALE: 10:1	
MATERIAL: 1		FINISH: 2, 3	SHEET 1 OF 1
REV: 1		DATE: 08JUN2020	REV: D1

单击下面可查看定价，库存，交付和生命周期等信息

[>>TE Connectivity\(泰科\)](#)