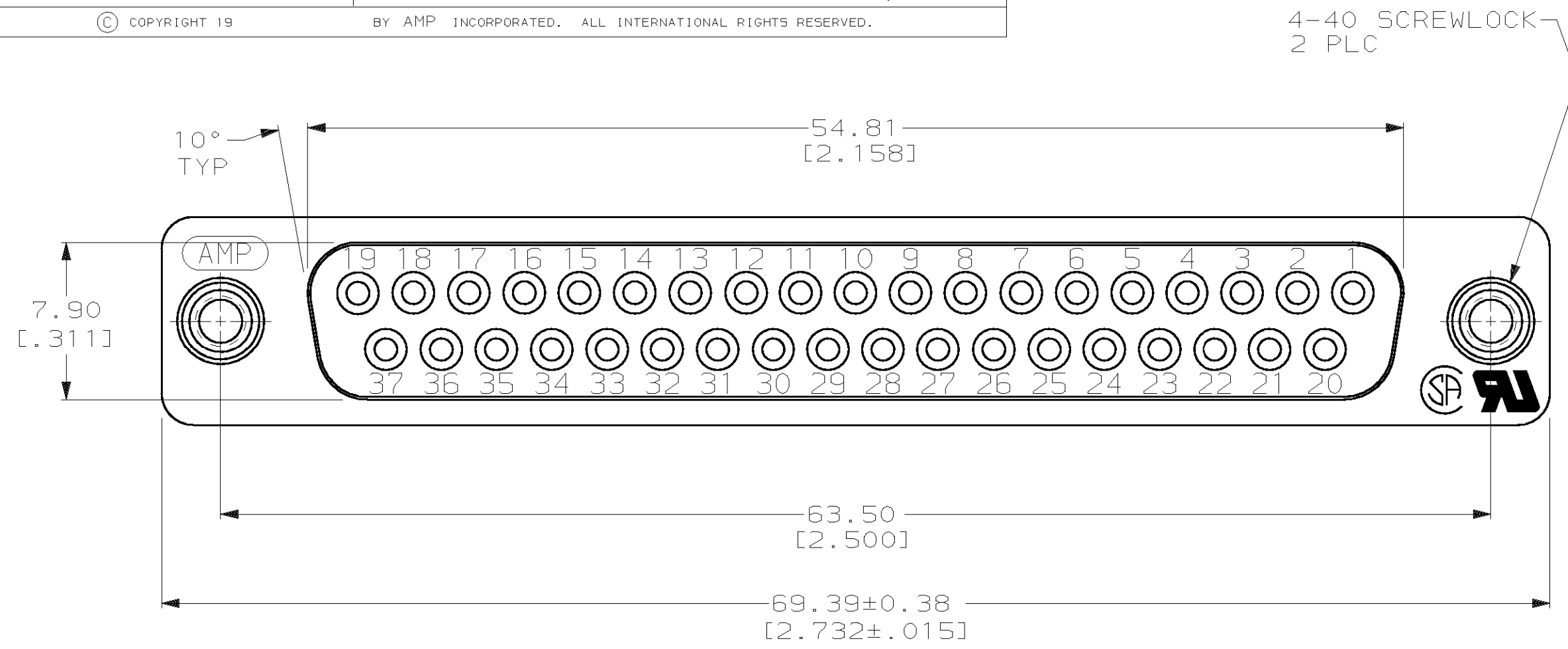
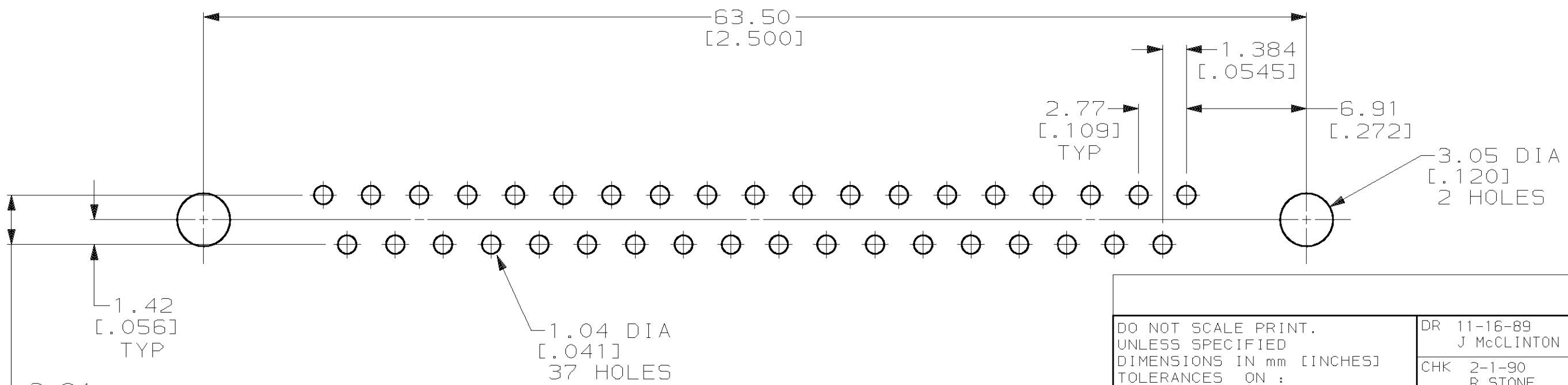
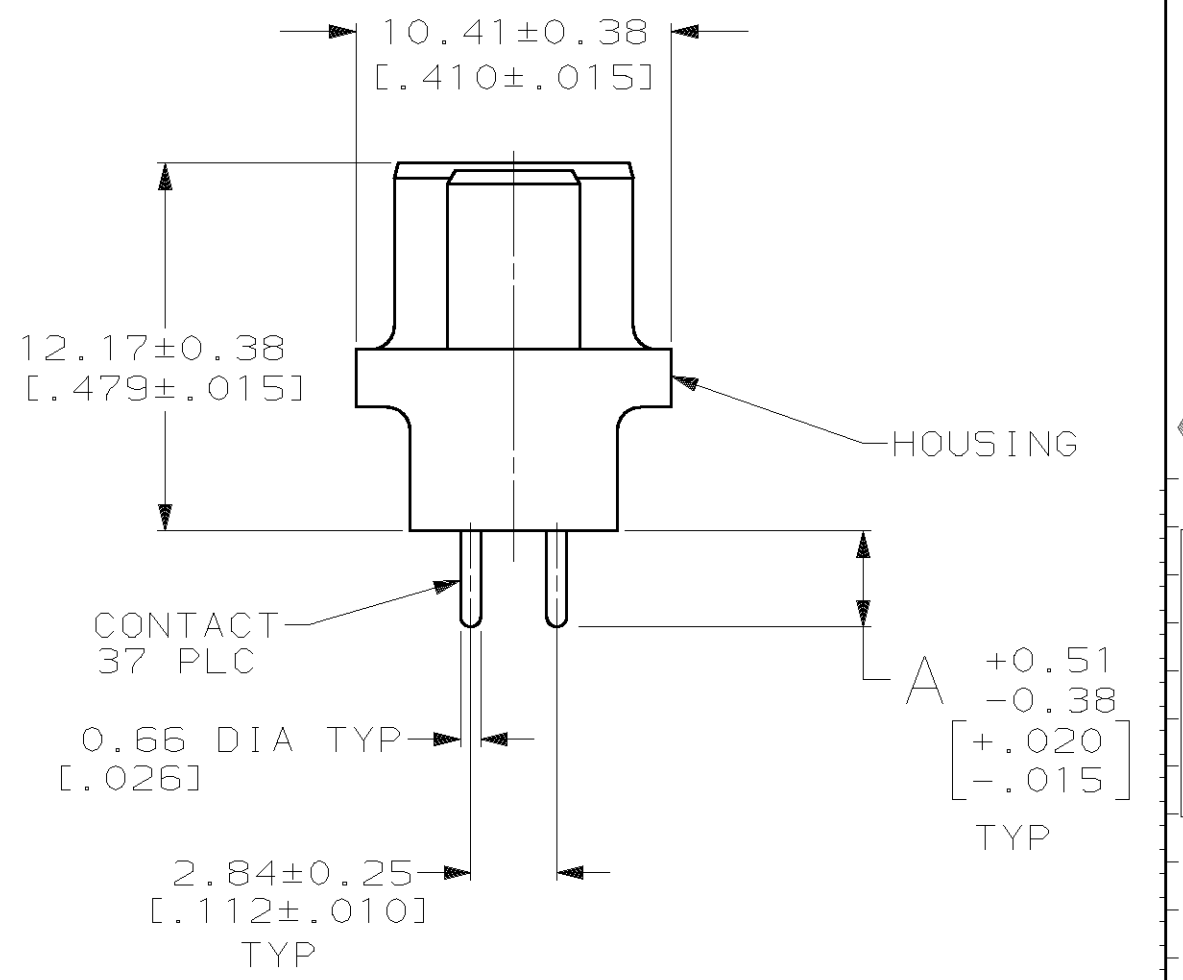
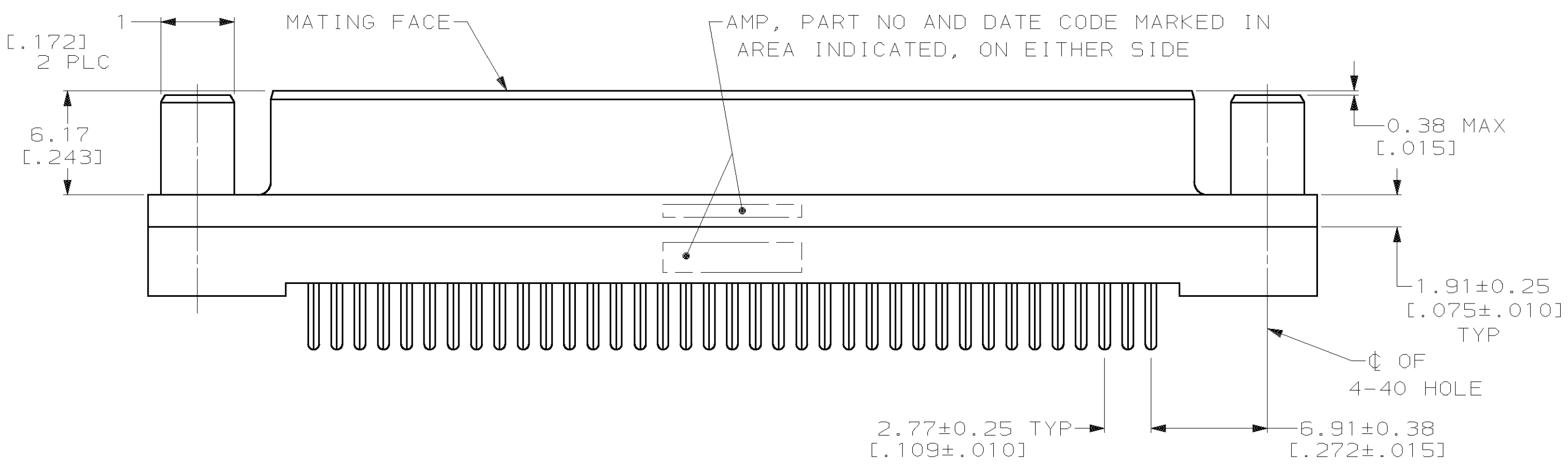


THIS DRAWING IS UNPUBLISHED. RELEASED FOR PUBLICATION  
 © COPYRIGHT 19 BY AMP INCORPORATED. ALL INTERNATIONAL RIGHTS RESERVED.

MOD		LOC		DIST		P		F		REVISIONS		
ZONE	LTR	DESCRIPTION		DATE	APPD							
9	BD	77				C	REDRAWN & REVISED, ECN BD3361		11-89	SS		
						D	REV PER ECN BD4888		05/16/91	-		
						E	OBS 745079-7, -8 BD6038		06/10/92	CR		
						F	OBS -3, -5 AND REV PER EC OU1D-0126-00		14 NOV 00	RF		



- ① HOUSING: BLACK POLYESTER, UL 94V-0 RATED; CONTACTS: PHOSPHOR BRONZE PER QQ-B-750; SCREWLOCKS: BRASS PER QQ-B-626.
- ② GOLD PLATING PER MIL-G-45204, TIN PLATING PER MIL-T-10727, NICKEL PLATING PER QQ-N-290.
- ③ GOLD FLASH FOR A LENGTH OF 2.54[.100] MIN FROM MATING END, 2.54μm[.000100] MIN TIN OR TIN-LEAD FOR A LENGTH OF DIMENSION A FROM OPPOSITE END, ALL OVER 1.27μm[.000050] MIN NICKEL.
- ④ 0.76μm[.000030] MIN GOLD FOR A LENGTH OF 2.54[.100] MIN FROM MATING END, 2.54μm[.000100] MIN TIN OR TIN-LEAD FOR A LENGTH OF DIMENSION A FROM OPPOSITE END, ALL OVER 1.27μm[.000050] MIN NICKEL.
- ⑤ 1.27μm[.000050] MIN NICKEL OVER COPPER FLASH.



	A	CONTACT FINISH	PART NO
OBSOLETE	6.35 [.250]	④	745079-8
OBSOLETE	6.35 [.250]	③	745079-7
	4.32 [.170]	④	745079-6
OBSOLETE	4.32 [.170]	③	745079-5
	3.18 [.125]	④	745079-4
OBSOLETE	3.18 [.125]	③	745079-3

RECOMMENDED PC BOARD MOUNTING DIMENSIONS

DO NOT SCALE PRINT. UNLESS SPECIFIED DIMENSIONS IN mm [INCHES] TOLERANCES ON : 2 PLC DEC ± 0.13 [.005] 3 PLC DEC ± - ANGLES ± 2°	DR 11-16-89 J McCLINTON	AMP INCORPORATED Harrisburg, Pa. 17105	
	CHK 2-1-90 R. STONE		
MATERIAL	APPD 2-2-90 S. SCHIEFERLY	SIZE <b>C</b>	CAGE CODE 00779
FINISH ② CONTACT: SEE TABLE SCREWLOCK: ⑤	APPD 2-2-90 C. ROHDE	SCALE 4:1	DRAWING NO 745079
	PRODUCT SPEC 108-40025	APPLICATION SPEC -	SHEET 1 OF 1
	WEIGHT -		

单击下面可查看定价，库存，交付和生命周期等信息

[>>TE Connectivity\(泰科\)](#)