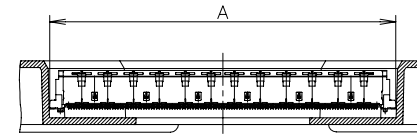
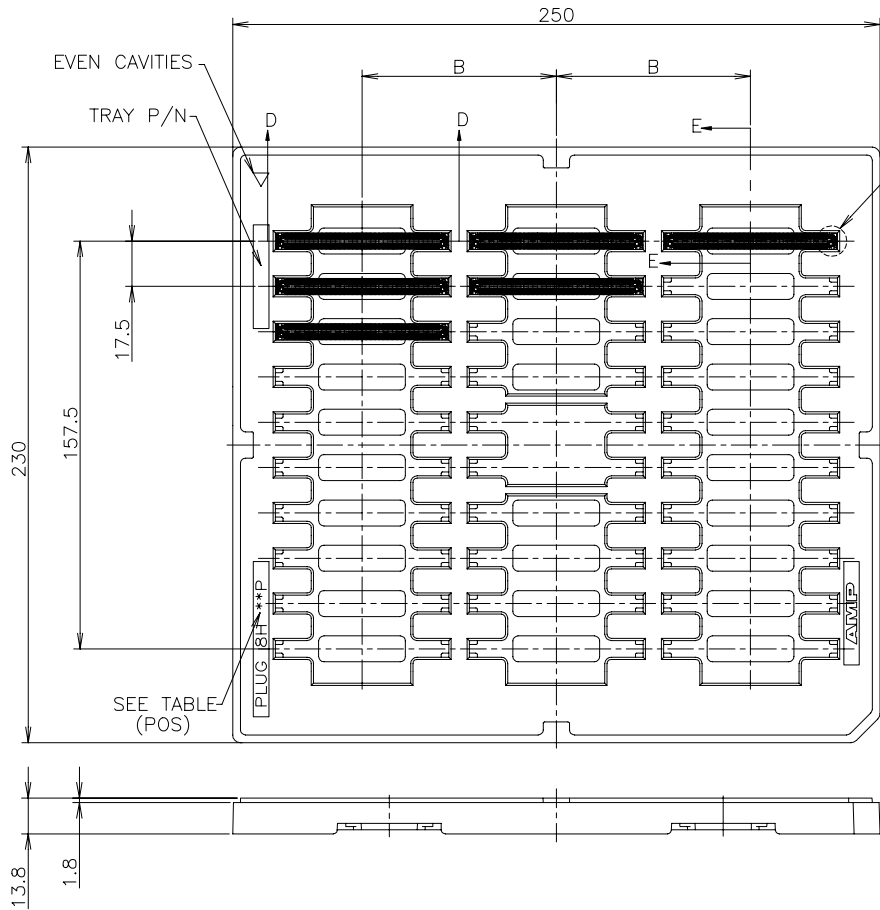
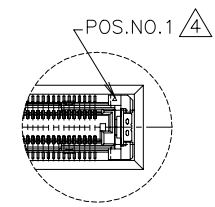


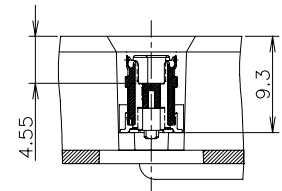
P	LTR	DESCRIPTION	DATE	DWN	APVD
	D5	ECN-21-114380:ADD MATED CONDITION	31AUG2021	A.L	H.L



SECT. D-D
(SCALE 2:1)
(CONNECTOR NOT SECTION)



DETAIL C
(SCALE 2:1)



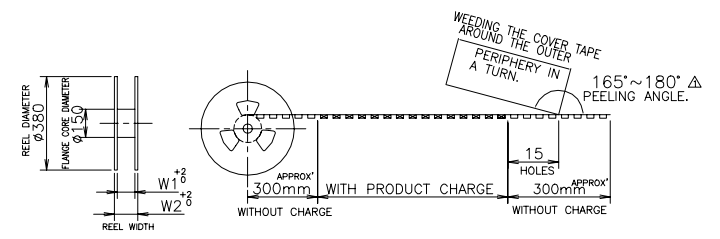
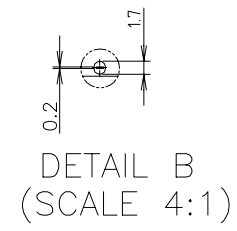
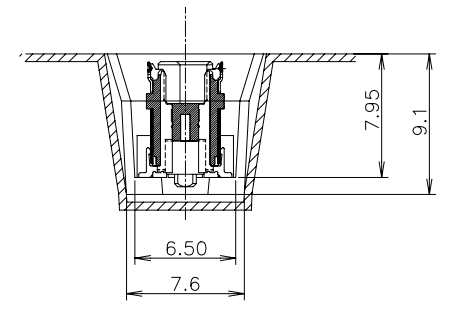
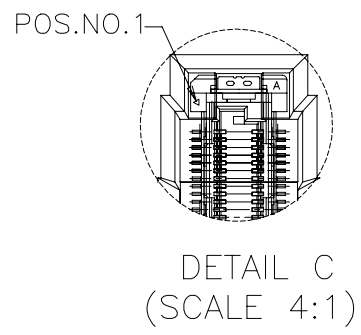
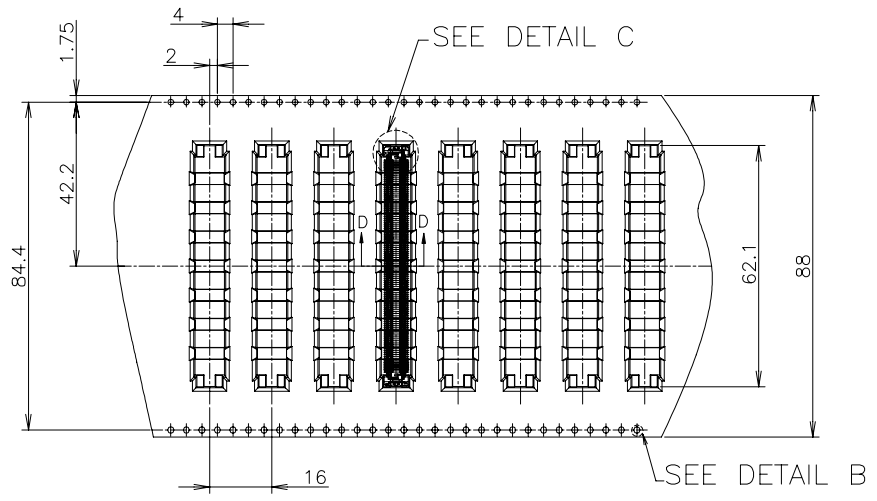
SECT. E-E
(SCALE 2:1)

WITHOUT PICK UP CAP

YES	NO	SEALANT	ROW	QTY	B	A	POS.	PART NO.
YES Δ	3	30	75	61.8	220	8-6318491-6		
NO	3	30	75	61.8	220	3-6318491-6		

THIS DRAWING IS A CONTROLLED DOCUMENT.		DWN S.CHIEN	26SEP05		TE Connectivity Ltd.	
DIMENSIONS: MM		CHK T.FUTATSUGI	26SEP05		NAME	
TOLERANCES UNLESS OTHERWISE SPECIFIED:		APVD W.KODAMA	26SEP05	HARD TRAY ASSY		
0 PLC ± 0.3		PRODUCT SPEC		FH 0.5BTB CONNECTOR 220POS		
1 PLC ± 0.3		108-5560		PLUG 8H WITH GROUND PLATE		
2 PLC ± 0.3		APPLICATION SPEC		SIZE	CAGE CODE	DRAWING NO
3 PLC ± 0.3				A3	00779	C=6318491
4 PLC ± 0.3				RESTRICTED TO		
ANGLES ± 3'				SCALE 1:2 SHEET 1 OF 5 REV D5		
MATERIAL		FINISH	WEIGHT	CUSTOMER DRAWING		

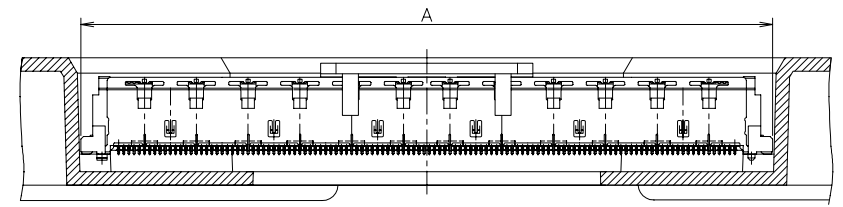
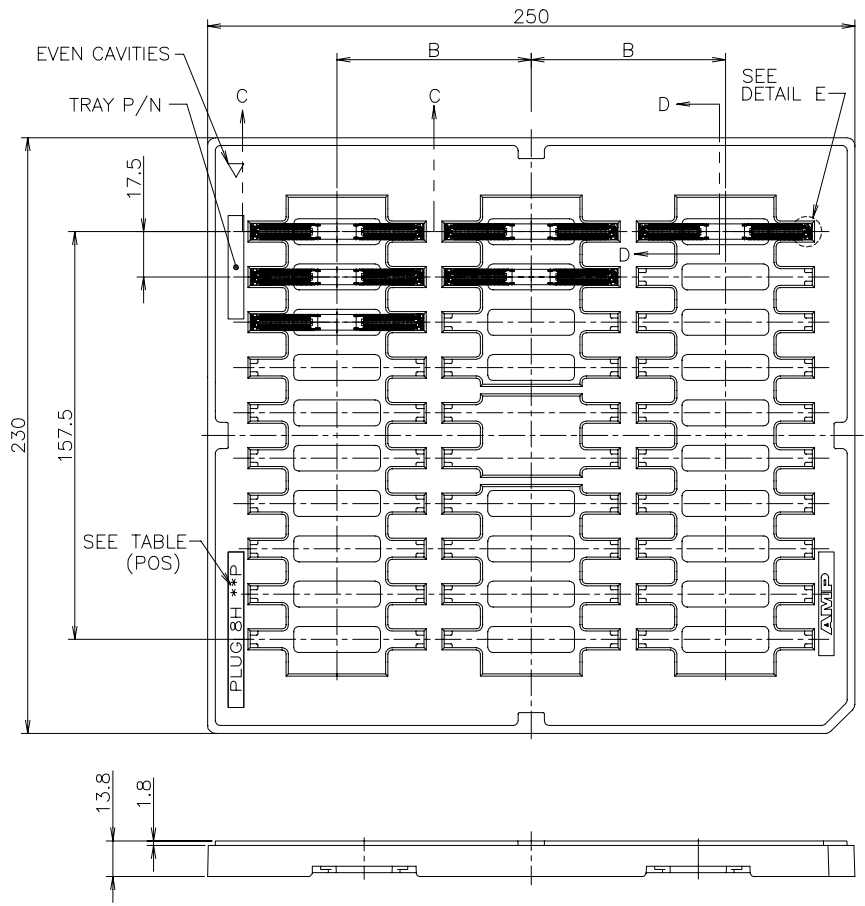
REVISIONS					
P	LTR	DESCRIPTION	DATE	DWN	APVD
-	-	SEE SHEET 1	-	-	-



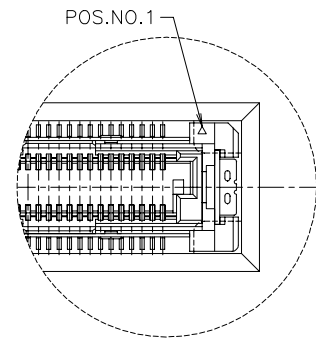
WITHOUT PICK UP CAP

NO	Y	400	93.5	88.5	220	2078455-1	3-5353619-6	4-6318491-6
SEALANT	TOOLING AVAIL	QTY/REEL	W2	W1	POS.	EMBOSS P/N	CONN P/N	PART NO.
THIS DRAWING IS A CONTROLLED DOCUMENT.						DWN S.CHIEN 26SEP05 CHK T.FUTATSUGI 26SEP05 APVD W.KODAMA 26SEP05 PRODUCT SPEC 108-5560 APPLICATION SPEC		
DIMENSIONS: MM		TOLERANCES UNLESS OTHERWISE SPECIFIED:		NAME HARD TRAY ASSY FH 0.5BTB CONNECTOR 220POS PLUG 8H WITH GROUND PLATE				
0 PLC ± 0.3 1 PLC ± 0.3 2 PLC ± 0.3 3 PLC ± 0.3 4 PLC ± 0.3 ANGLES ± 3°		FINISH		WEIGHT		SIZE A3 CAGE CODE 00779 DRAWING NO C=6318491		RESTRICTED TO
MATERIAL				CUSTOMER DRAWING		SCALE 1:2		SHEET 2 OF 5
								REV D5

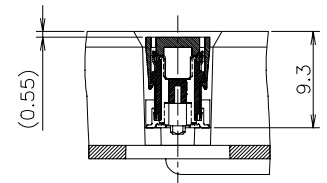
REVISIONS					
P	LTR	DESCRIPTION	DATE	DWN	APVD
-	-	SEE SHEET 1	-	-	-



SECT. C-C
(SCALE 2:1)



DETAIL E
(SCALE 4:1)



SECT. D-D
(SCALE 2:1)

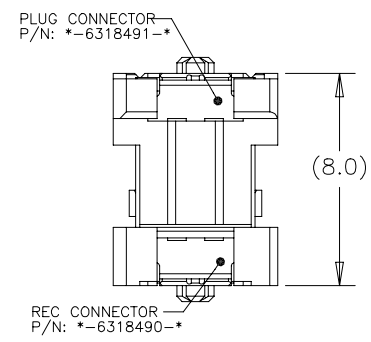
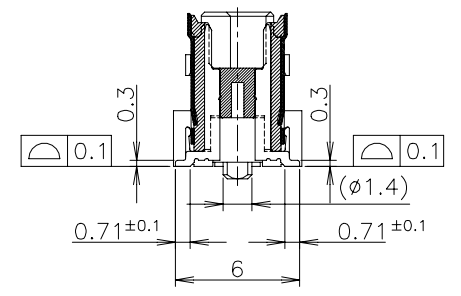
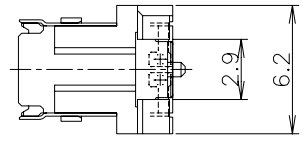
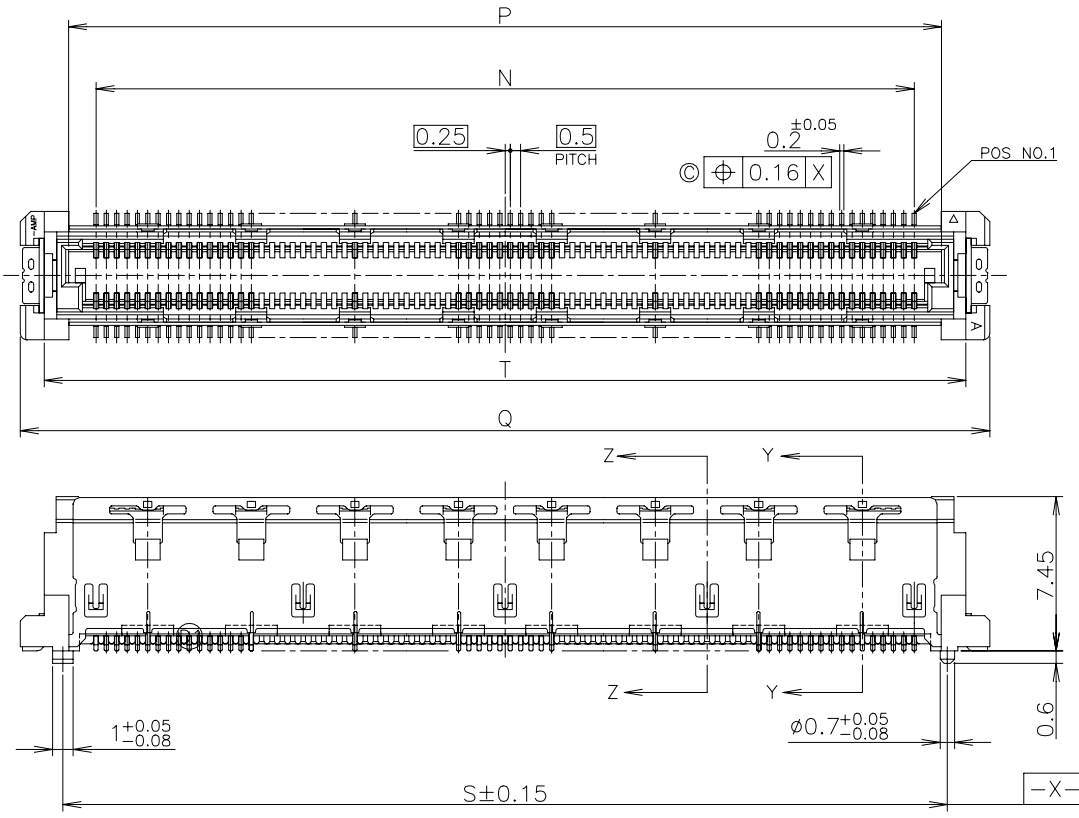
WITH PICK UP CAP

NATURAL	NO	3	30	75	61.8	220	6-6318491-6
BLACK	NO	3	30	75	61.8	220	9-6318491-6
CAP COLOR	SEALANT	ROW	QTY	B	A	POS.	PART NO.

THIS DRAWING IS A CONTROLLED DOCUMENT.

DIMENSIONS: MM 	TOLERANCES UNLESS OTHERWISE SPECIFIED: 0 PLC ± 0.3 1 PLC ± 0.3 2 PLC ± 0.3 3 PLC ± 0.3 4 PLC ± 0.3 ANGLES ± 3°	DWN S. CHIEN 26SEP05	TE Connectivity Ltd. HARD TRAY ASSY FH 0.5BTB CONNECTOR 220POS PLUG 8H WITH GROUND PLATE	
		CHK T. FUTATSUGI 26SEP05		NAME
		APVD W. KODAMA 26SEP05		PRODUCT SPEC 108-5560
				APPLICATION SPEC
MATERIAL	FINISH	WEIGHT	RESTRICTED TO	
-	-	-	A3 00779 C=6318491	
CUSTOMER DRAWING		SCALE 1:2	SHEET 3 OF 5 REV D5	

REVISIONS					
P	LTR	DESCRIPTION	DATE	DWN	APVD
-	-	SEE SHEET 1	-	-	-



PLUG CONNECTOR
P/N: *-6318491-*

REC CONNECTOR
P/N: *-6318490-*

Ⓜ FULL-MATED CONDITION

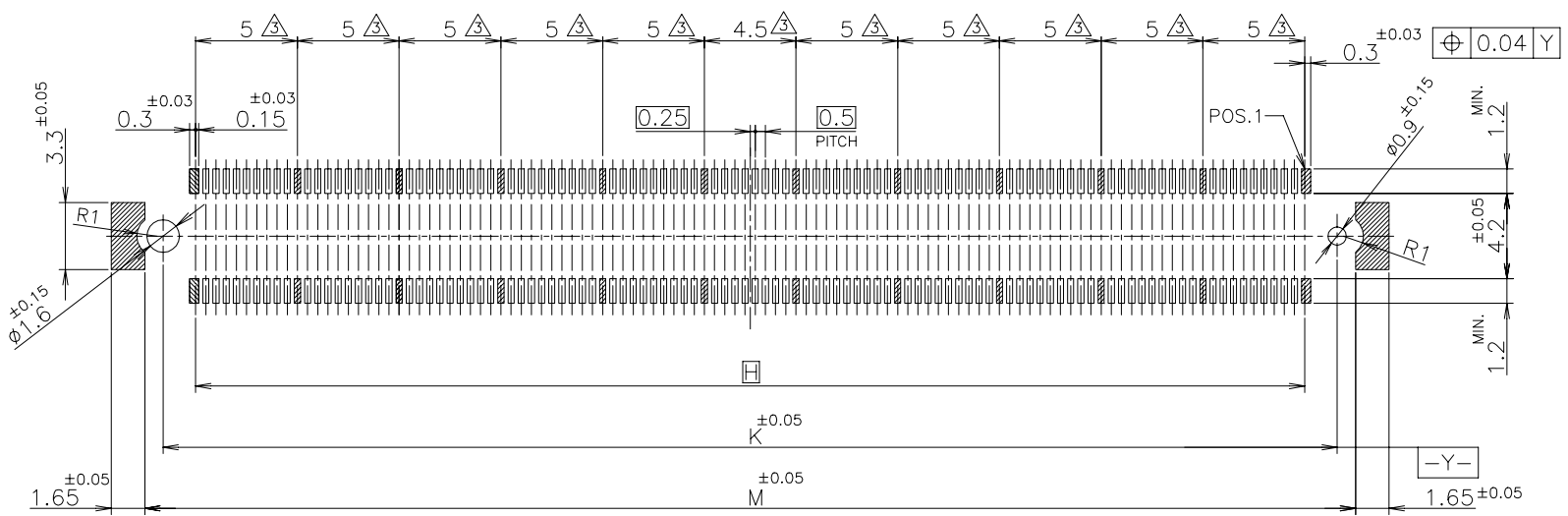
- NOTE:**
- ① MATERIAL ; HOUSING : HIGH TEMP THERMO PLASTIC UL94V-0
CONTACT : COPPER ALLOY
SOLDER PEG : COPPER ALLOY
 - ② FINISH ; SIGNAL CONTACT : UNDER PL Ni 0.0013mm MIN ALL OVER.
CONTACT AREA 0.0002mm MIN Au PL.
SOLDERING AREA 0.001mm MIN TIN PL.
GROUND CONTACT : UNDER PL Ni 0.0013mm MIN ALL OVER.
CONTACT AREA 0.0002mm MIN Au PL.
SOLDERING AREA 0.001mm MIN TIN PL.
SOLDER PEG : 0.001mm MIN TIN PL. OVER
0.0013mm MIN Ni PL ALL OVER.
 - ③ THIS POSITION IS GROUND CIRCUIT.
 - ④ THIS PRODUCT WAS COATED BY FLUX-PENETRATION-INHIAITING AGENT.

59.5	57.7	61.8	57.1	54.5	220	BLACK	X-6318491-6
T	S	Q	P	N	POS.	HSG COLOR	PART NO.

THIS DRAWING IS A CONTROLLED DOCUMENT.

DIMENSIONS: MM	TOLERANCES UNLESS OTHERWISE SPECIFIED:	DWN	 TE Connectivity Ltd.
	0 PLC ± 0.3 1 PLC ± 0.3 2 PLC ± 0.3 3 PLC ± 0.3 4 PLC ± 0.3 ANGLES ± 3'	CHK	
MATERIAL	FINISH	APVD	
①	②	PRODUCT SPEC	
NAME		APPLICATION SPEC	HARD TRAY ASSY FH 0.5BTB CONNECTOR 220POS PLUG 8H WITH GROUND PLATE
SIZE		WEIGHT	
A3		CAGE CODE	RESTRICTED TO
00779		DRAWING NO	
C=6318491		CUSTOMER DRAWING	
SCALE 4:1		SHEET 4 OF 5	REV D5

REVISIONS					
P	LTR	DESCRIPTION	DATE	DWN	APVD
-	-	SEE SHEET 1	-	-	-



REFERENCE P.C. BOARD LAYOUT

59.5	57.7	54.5	220	X-6318491-6
M	K	H	POS	PART NO.

THIS DRAWING IS A CONTROLLED DOCUMENT.		DWN	TE TE Connectivity Ltd.			
DIMENSIONS: MM		CHK				
TOLERANCES UNLESS OTHERWISE SPECIFIED:		APVD	NAME HARD TRAY ASSY FH 0.5BTB CONNECTOR 220POS PLUG 8H WITH GROUND PLATE			
0 PLC ± 0.3		PRODUCT SPEC				
1 PLC ± 0.3		APPLICATION SPEC	SIZE	CAGE CODE	DRAWING NO	RESTRICTED TO
2 PLC ± 0.3		WEIGHT	A3	00779	C=6318491	
3 PLC ± 0.3		CUSTOMER DRAWING	SCALE 4:1		SHEET 5 OF 5	REV D5
4 PLC ± 0.3						
ANGLES ± 3'						
MATERIAL	FINISH					
1	2					

单击下面可查看定价，库存，交付和生命周期等信息

[>>TE Connectivity\(泰科\)](#)