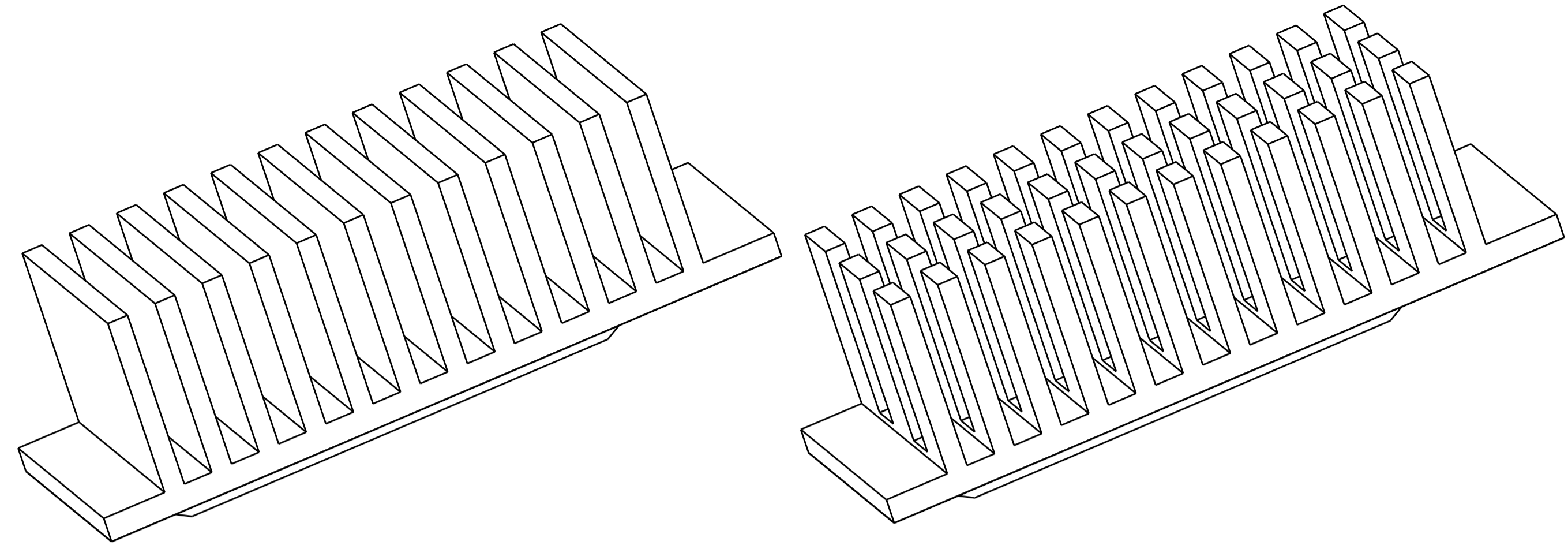


LOC		DIST		REVISIONS			
P	LTN	DESCRIPTION	DATE	DWN	APVD		
1		PRELIMINARY	17AUG2012	JY	AC		

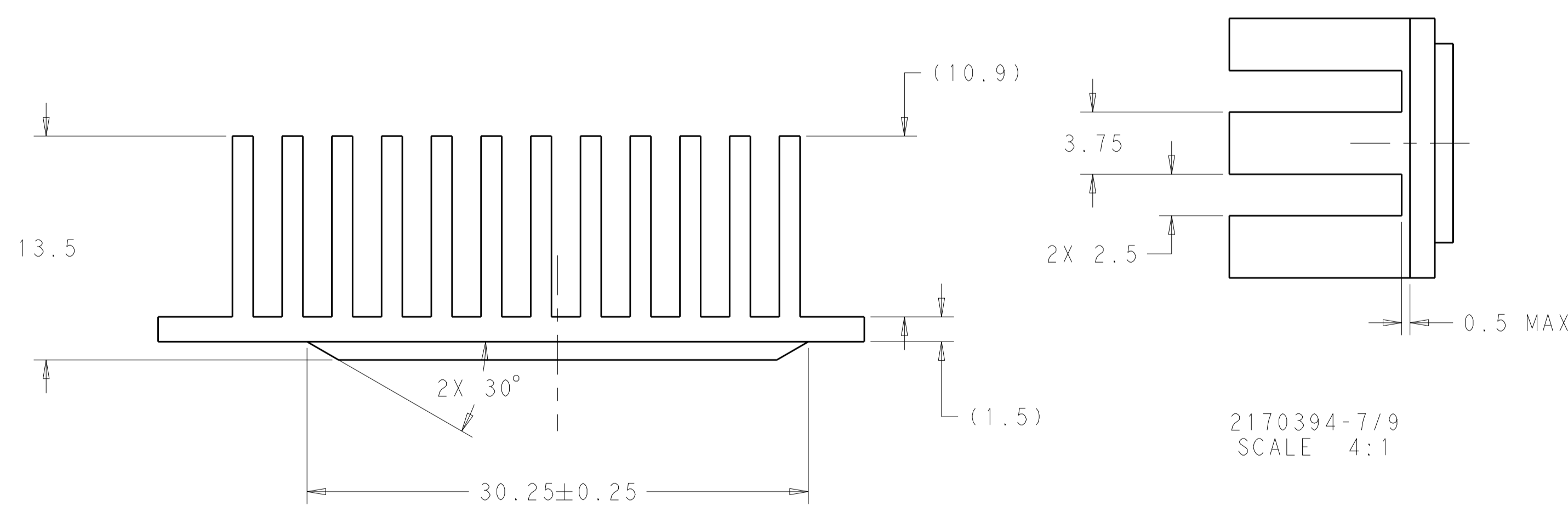
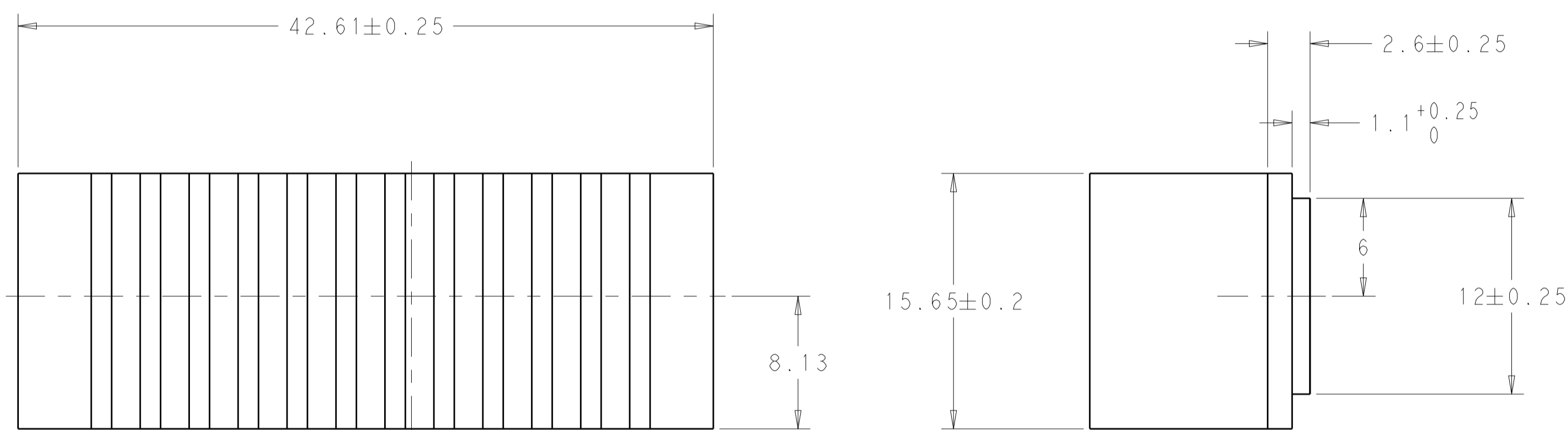


2170394-2/4
 WO LIGHT PIPE SLOTS
 SCALE 4:1

2170394-7/9
 W LIGHT PIPE SLOTS
 SCALE 4:1

NOTES:

- UNLESS OTHERWISE SPECIFIED
- ① MATERIAL: ALUMINUM.
- ② FINISH: ANODIZED BLACK.
- ③ FINISH: NICKEL PLATED.
- 4. INTERPRET DRAWING PER ASME Y14.5M - 1994.
- 5. 0,2mm MAX BURR.
- 6. VARIATION IN PLATING COLOR IS NORMAL AND ALLOWED.
- 7. RoHS COMPLIANT AND CERTIFIED.



2170394-7/9
 SCALE 4:1

③	SALE PART	2170394-9
②	SALE PART	2170394-7
③	SALE PART	2170394-4
②	SALE PART	2170394-2
FINISH	DESCRIPTION	PART NUMBER

DIMENSIONS:		TOLERANCES UNLESS OTHERWISE SPECIFIED:		MATERIAL:		FINISH:		APPROVALS:		CUSTOMER DRAWING	
mm	0 PLC	±0.5						DWN	JASON YANG	17AUG2012	
	1 PLC	±0.5						CHK	ALEX CAI	17AUG2012	
	2 PLC	±0.25						APVD	ALEX CAI	17AUG2012	
	3 PLC	±						PRODUCT SPEC			
	4 PLC	±						APPLICATION SPEC			
	ANGLES	±						SIZE	CAGE CODE	DRAWING NO	RESTRICTED TO
								WEIGHT	A100779	C=2170394	
								SCALE	4:1	SHEET	1 OF 1
								REV			1



HEAT SINK, 13.5MM TALL
 QSFP CAGE, GANGED

单击下面可查看定价，库存，交付和生命周期等信息

[>>TE Connectivity\(泰科\)](#)