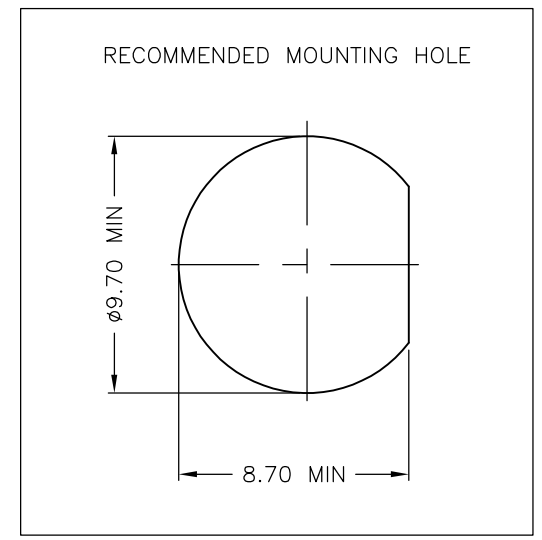
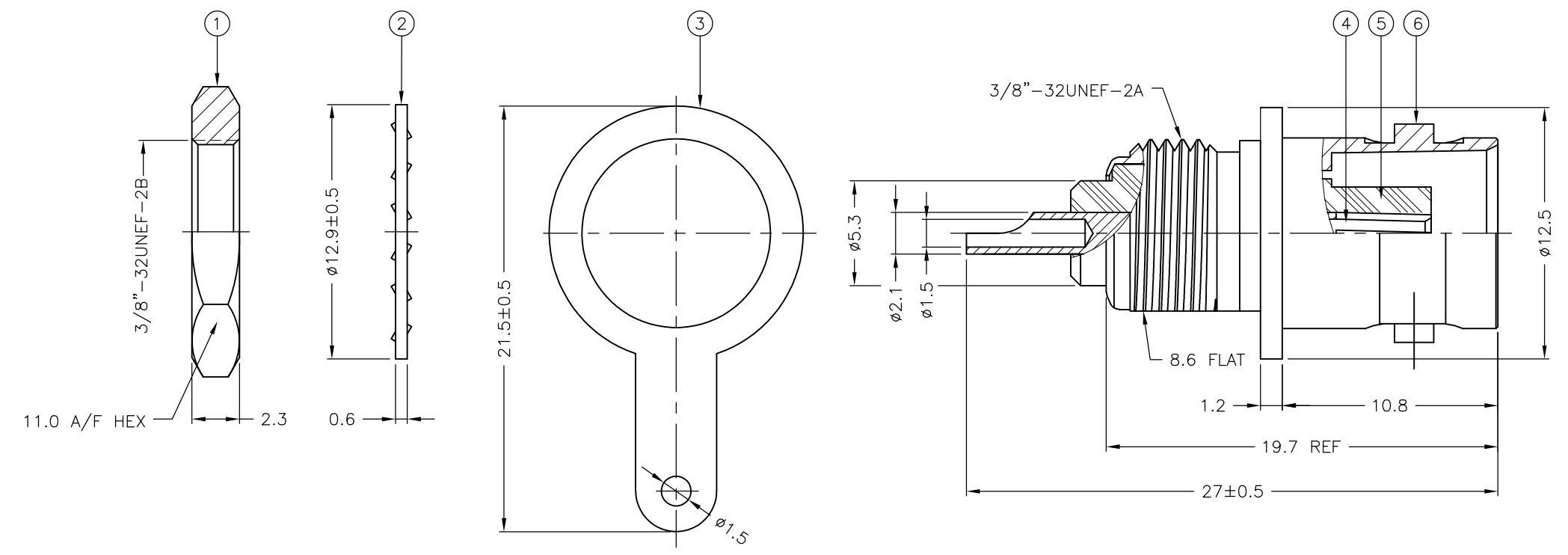


THIS DRAWING IS UNPUBLISHED. RELEASED FOR PUBLICATION DEC ,2005.
 © COPYRIGHT 2005 By - ALL RIGHTS RESERVED.

LOC	DIST	REVISIONS					
E	B	P	LTR	DESCRIPTION	DATE	DWN	APVD
		D		ECR-15-002281	12FEB2015	RZ	MC

- NOTES:**
- 1 SINGLE PACKING: ONE CONNECTOR PER LABELED BAG PACKAGED. LABELED PER TEC-107-115
 - 2 TRAY PACKAGED
 - 3 Ag PLATING

- 4 ELECTRICAL CHARACTERISTICS**
- | | |
|-------------------------------|----------------------------|
| FREQUENCY RANGE: | DC - 4 GHz |
| NOMINAL IMPEDANCE: | 50 Ohm |
| INSULATION RESISTANCE: | 5000 MOhm |
| WORKING VOLTAGE: | 500 Volts RMS at Sea Level |
| DIELECTRIC WITHSTAND VOLTAGE: | 1500 Volts RMS Max |
| CONTACT RESISTANCE: | |
| CENTER CONTACT: | 1.50 mOhm Max |
| OUTER CONTACT: | 1.00 mOhm Max |
| VSWR @ 3GHz: | 1.35 Max |
| INSERTION LOSS xdb: | N/A |
- 5 MECHANICAL CHARACTERISTICS**
- | | |
|-------------------------------|----------------|
| COUPLING RETENTION FORCE: | N/A |
| CABLE RETENETION FORCE: | N/A |
| MOUNT NUT RECOMMENDED TORQUE: | 2.5 Nm |
| DURABILITY: | 500 Cycles Min |
- 6 ENVIRONMENTAL CHARACTERISTICS**
- | | |
|------------------------|------------------|
| OPERATING TEMPERATURE: | -65 to +165 DegC |
|------------------------|------------------|



QTY	QTY PER ASSY	QTY PER ASSY	MATERIAL	DESCRIPTION	ITEM
1	1		BRASS	BODY	6
1	1		PTFE	INSULATION	5
1	1		PHOSPHOR BRONZE	CONTACT	4
1	1		BRASS	SOLDER TAG	3
1	1		STEEL	LOCKWASHER	2
1	1		BRASS	HEX NUT	1
6--0	1--0		MATERIAL	DESCRIPTION	ITEM

THIS DRAWING IS A CONTROLLED DOCUMENT.		DWN	J.SANDWELL	13DEC05	 TE Connectivity	NAME BNC BULKHEAD SOCKET FRONT MOUNT 50 OHM + TAG		
DIMENSIONS: mm		CHK	S.PARLOW	13DEC05				
TOLERANCES UNLESS OTHERWISE SPECIFIED:		APVD	F.WHEELER-KING	13DEC05				
0 PLC ± - 1 PLC ± 0.2 2 PLC ± - 3 PLC ± - 4 PLC ± - ANGLES ± -		PRODUCT SPEC	-					
MATERIAL	SEE TABLE	FINISH	-		APPLICATION SPEC	-		
WEIGHT		-		SIZE	A3	CAGE CODE	00779	
CUSTOMER DRAWING		SCALE		NTS	DRAWING NO	G-1337450		
RESTRICTED TO		-		SHEET	1 OF 1		REV	D

单击下面可查看定价，库存，交付和生命周期等信息

[>>TE Connectivity\(泰科\)](#)