

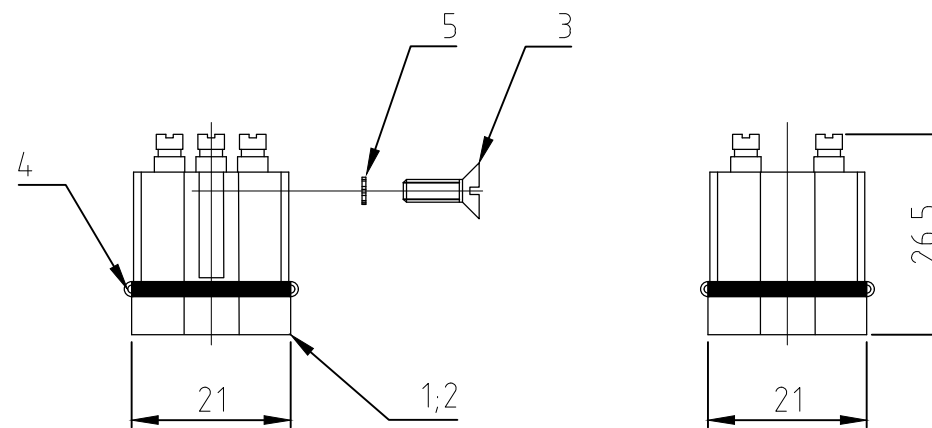
THIS DRAWING IS UNPUBLISHED.
VERTRAULICHE UNVERÖFFENTLICHTE ZEICHNUNG

RELEASED FOR PUBLICATION
FREI FUER VERÖFFENTLICHUNG
ALL RIGHTS RESERVED.
ALLE RECHTE VORBEHALTEN

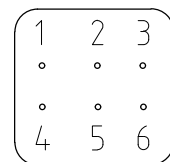
MATED WITH:
PASSEND ZU:
BG1

REVISIONS
ÄNDERUNGEN

| P | LTR | DESCRIPTION BESCHREIBUNG | DATE | DWN | APVD |
|---|-----|-----------------------------|-----------|-----|------|
| | A7 | REVISED PER ECR-17-014011 | 24JAN2018 | NG | MKO |



Kontaktanordnung
Contact arrangement



Notes,

1 Material: insert, PC
Neoprene

2 Packaging quantity
10 pieces

3 special Packacking

| OBSOLETE | | OBSOLETE | | DESCRIPTION / BENENNUNG | MATERIAL | COLOR / FARBE | ITEM NO. POS. | REMARKS / BEMERKUNGEN |
|----------------|----------------|-------------|-------------|-------------------------------------|------------|---|------------------|-----------------------|
| 1 | 1 | 1 | 1 | Serrated lock washer | steel | zinc plated | 5 | |
| 1 | 1 | 1 | 1 | seal | Neoprene | black | 4 | |
| 1 | 1 | 1 | 1 | sheet metal screw | Stahl/stee | zinc plated | 3 | B2.9x9.5 |
| 1 | - | 1 | - | pin insert STA.6 | | light beige | 2 | |
| - | 1 | - | 1 | pin insert screw STA.6 | | light beige | 1 | |
| 3-2 | 0-1 | 3-1 | 1-1 | | | | | |
| STA.6.Sti.L.Au | STA.6.Sti.S.KM | STA.6.Sti.L | STA.6.Sti.S | ORDERING TEXT / BESTELLTEXT | | THIS DRAWING IS A CONTROLLED DOCUMENT. DIESE ZEICHNUNG IST EIN KONTROLLIERTES DOKUMENT. DIMENSIONS: MASSE/NEHTEIN: mm TOLERANCES UNLESS OTHERWISE SPECIFIED: ALLGEMEINTOLERANZEN 0 PLC ± - ISO 8015 1 PLC ± - ISO 2768 - mH - E 2 PLC ± - DIN 16901 - 14.0 3 PLC ± - 4 PLC ± - ANGLES / WINKEL ± - MATERIAL FINISH/OBERFLAECHE/FARBE -1 | | |
| | | | | DWN SCHNEIDER 26.03.2001 | | STE TE Connectivity PIN-INSERT STA.6.STI.S/L | | |
| | | | | CHK SCHWEIGER 26.03.2001 | | | | |
| | | | | APVD - | | NAME | | |
| | | | | PRODUCT SPEC PRODUKTSPEZ. | | DRAWING NO ZEICHNUNGS-NR. | | |
| | | | | APPLICATION SPEC VERARBEITUNGSSPEZ. | | RESTRICTED TO NUR FUER | | |
| | | | | WEIGHT GEWICHT | | SCALE MASSTAB 1:1 | | |
| | | | | CUSTOMER DRAWING/KUNDENZEICHNUNG | | SHEET BLATT 1 OF VON 1 | | |
| | | | | | | REV A7 | | |

单击下面可查看定价，库存，交付和生命周期等信息

[>>TE Connectivity\(泰科\)](#)