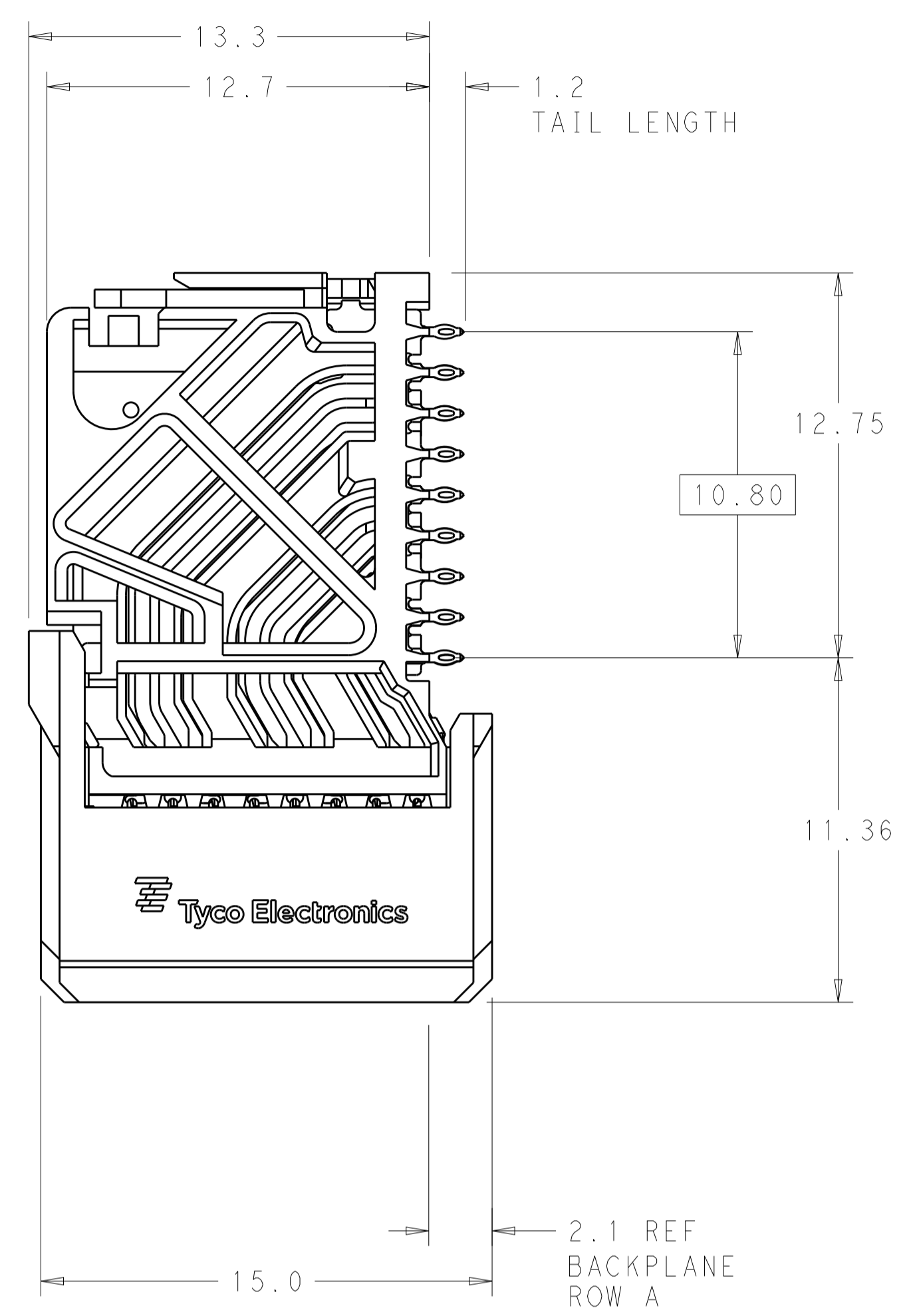
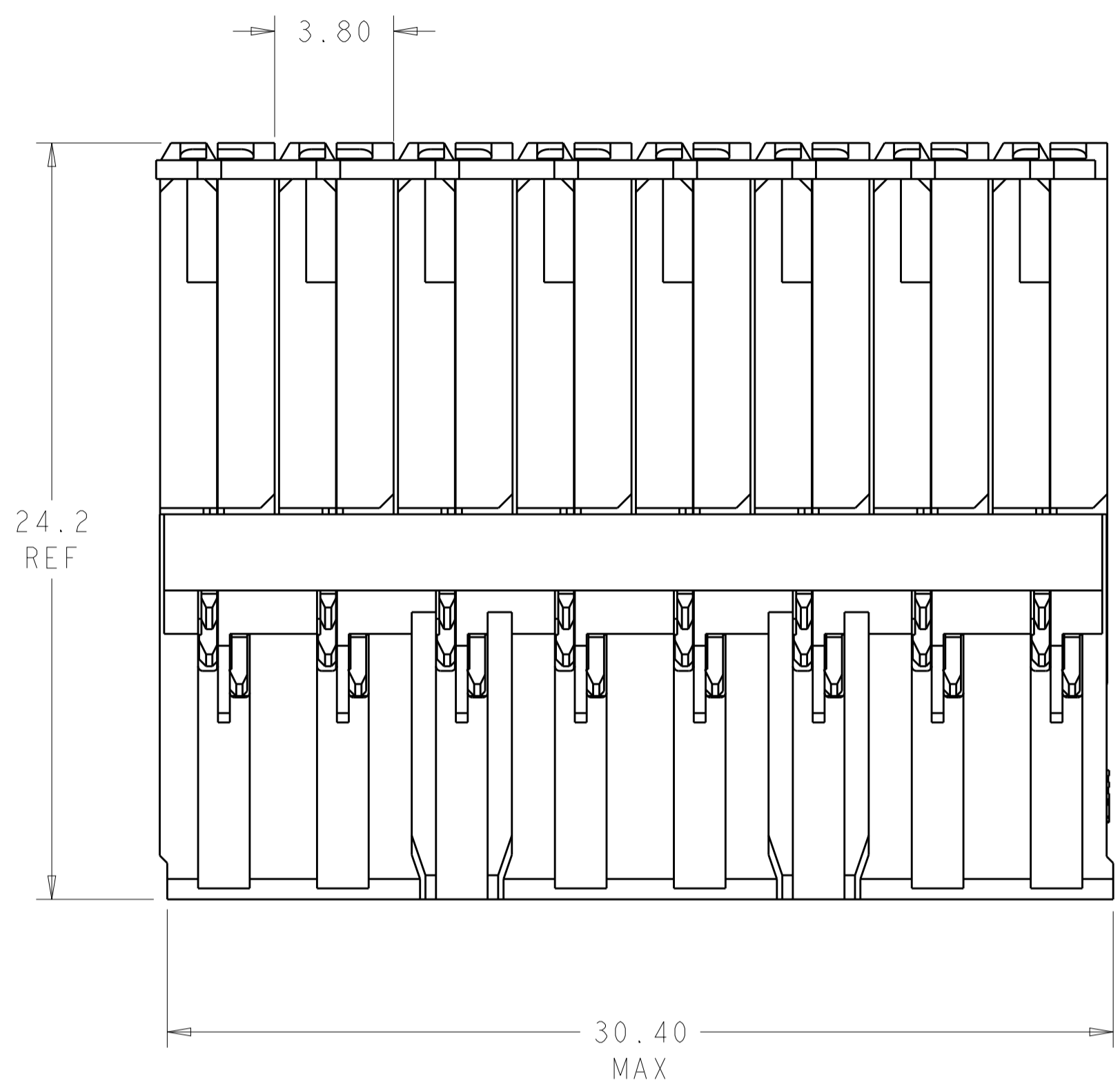
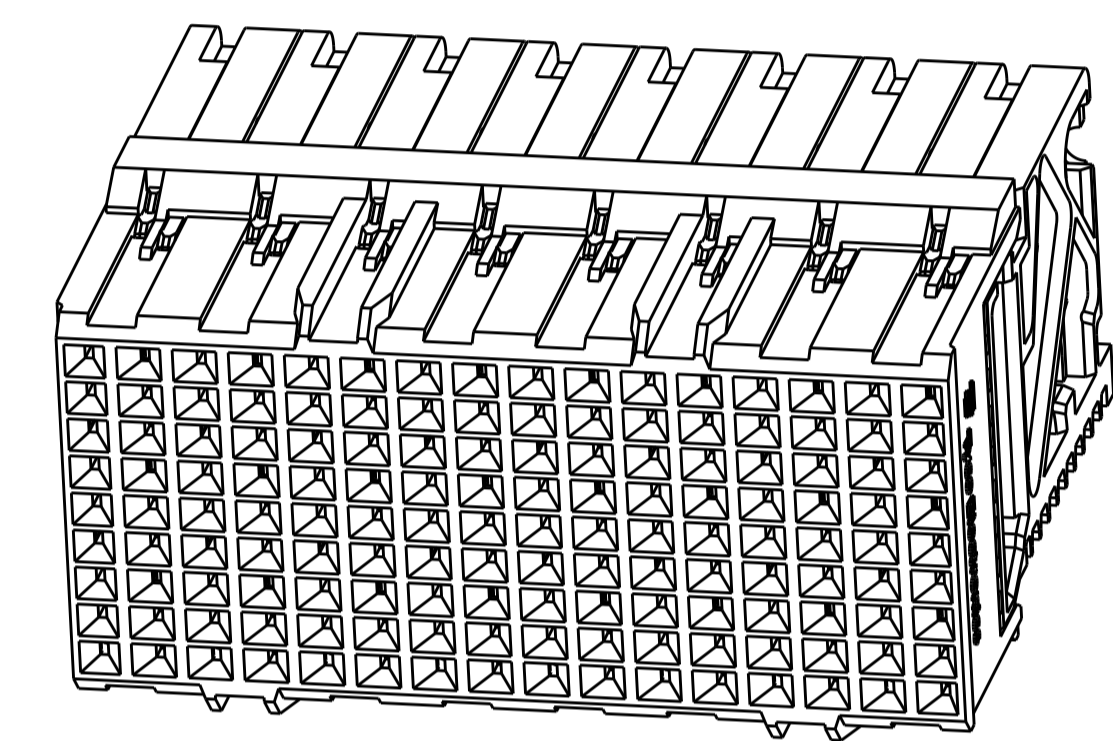


LOC		DIST		REVISIONS			
AD	00	P	LTN	DESCRIPTION	DATE	DWN	APVD
		E4		REVISED PER ECO-14-018035	11MAR2015	AP	DD



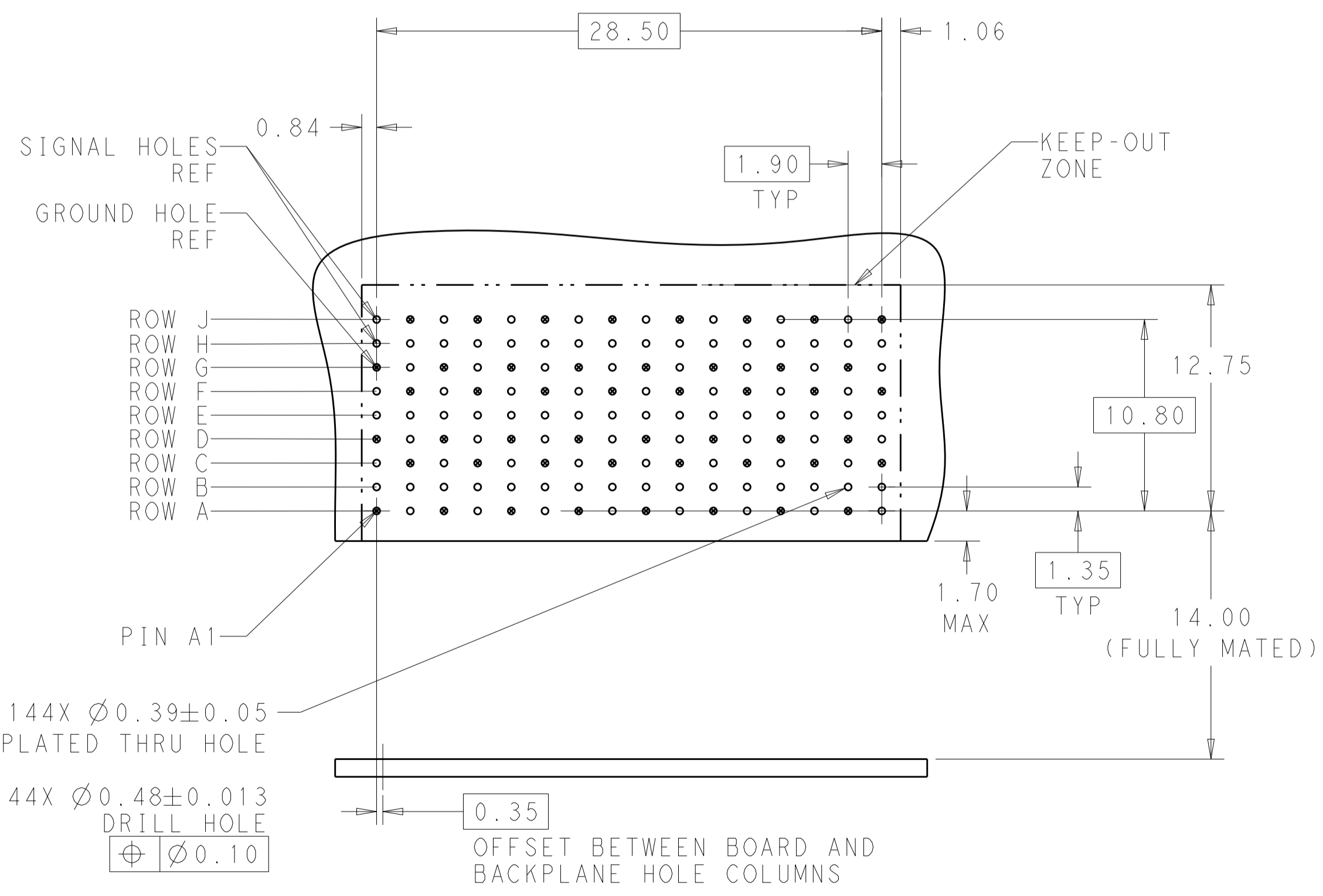
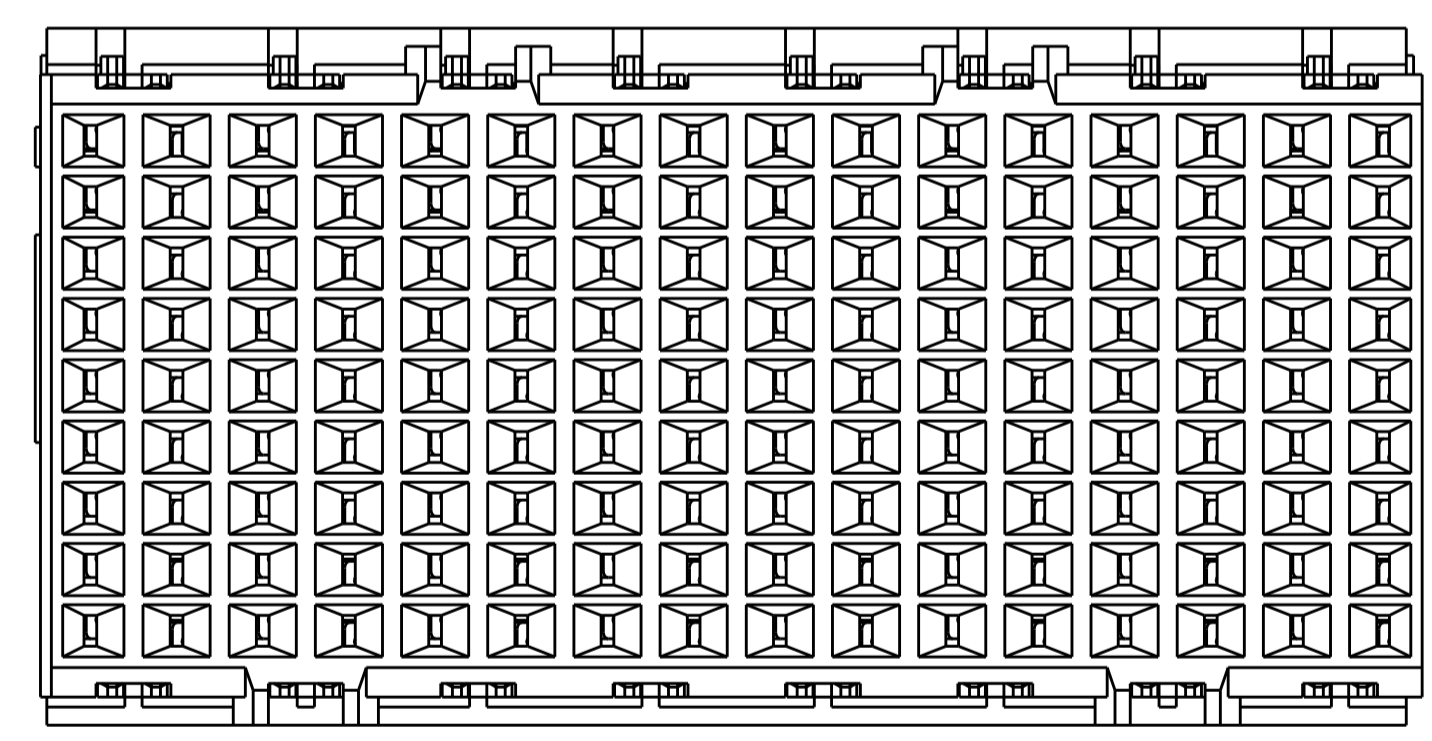
⚠ MATERIAL:
 HOUSING: LCP, GLASS FILLED, UL94V-0.
 TERMINALS: HIGH PERFORMANCE COPPER ALLOY.

⚠ FINISH:
 30µ" SELECTIVE GOLD IN CONTACT AREA. SELECTIVE TIN ON PCB TAILS, NICKEL OVERALL.



SCALE 4:1

REFER TO WWW.TE.COM FOR PRODUCT AVAILABILITY



KEY POSITION CHART

NONE	
A	E
B	F
C	G
D	H

144X $\varnothing 0.39 \pm 0.05$ PLATED THRU HOLE
 144X $\varnothing 0.48 \pm 0.013$ DRILL HOLE
 $\varnothing 0.10$

RECOMMENDED PCB LAYOUT
 MIN BOARD THICKNESS 1.0

THIS DRAWING IS A CONTROLLED DOCUMENT.		DWN 05APR2011	NONE		2007711-1	
DIMENSIONS: mm		CHK D. DIXON 05APR2011	KEY POSITION		PART NUMBER	
TOLERANCES UNLESS OTHERWISE SPECIFIED:		APVD D. DIXON 05APR2011	FINISH		2	
0 PLC ±		NAME	IMPACT, 3 PAIR, DAUGHTERCARD 16 COLUMN, UNGUIDED, SIGNAL MODULE, 0.39 EYELET			
1 PLC ±0.2		PRODUCT SPEC	A100779C=2007711			
2 PLC ±0.13		APPLICATION SPEC	SCALE 6:1 SHEET 1 OF 1 REV E4			
3 PLC ±		SIZE	CUSTOMER DRAWING			
4 PLC ±		WEIGHT				
ANGLES ±		CAGE CODE				
FINISH SEE TABLE		DRAWING NO				

单击下面可查看定价，库存，交付和生命周期等信息

[>>TE Connectivity\(泰科\)](#)