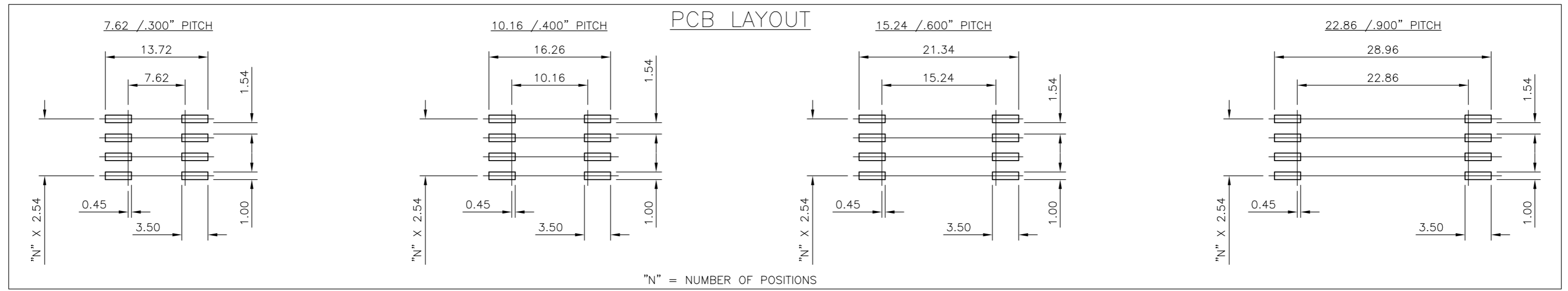
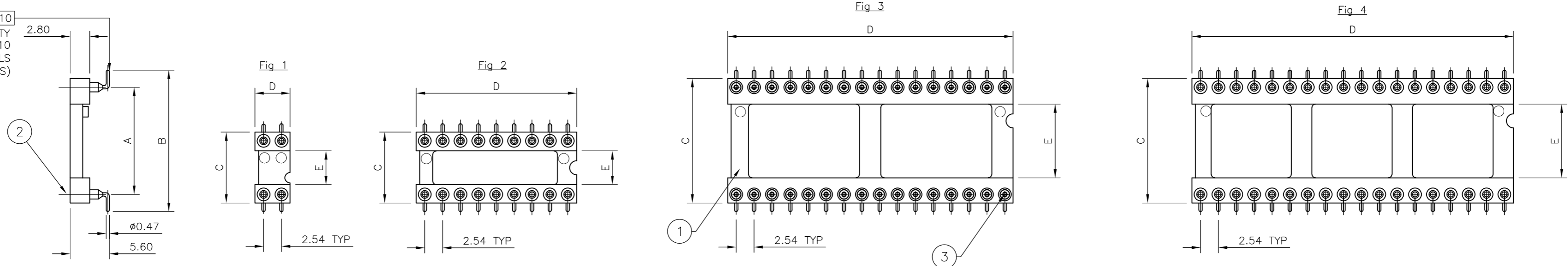


THIS DRAWING IS UNPUBLISHED. RELEASED FOR PUBLICATION
 © COPYRIGHT BY TYCO ELECTRONICS CORPORATION. ALL RIGHTS RESERVED.

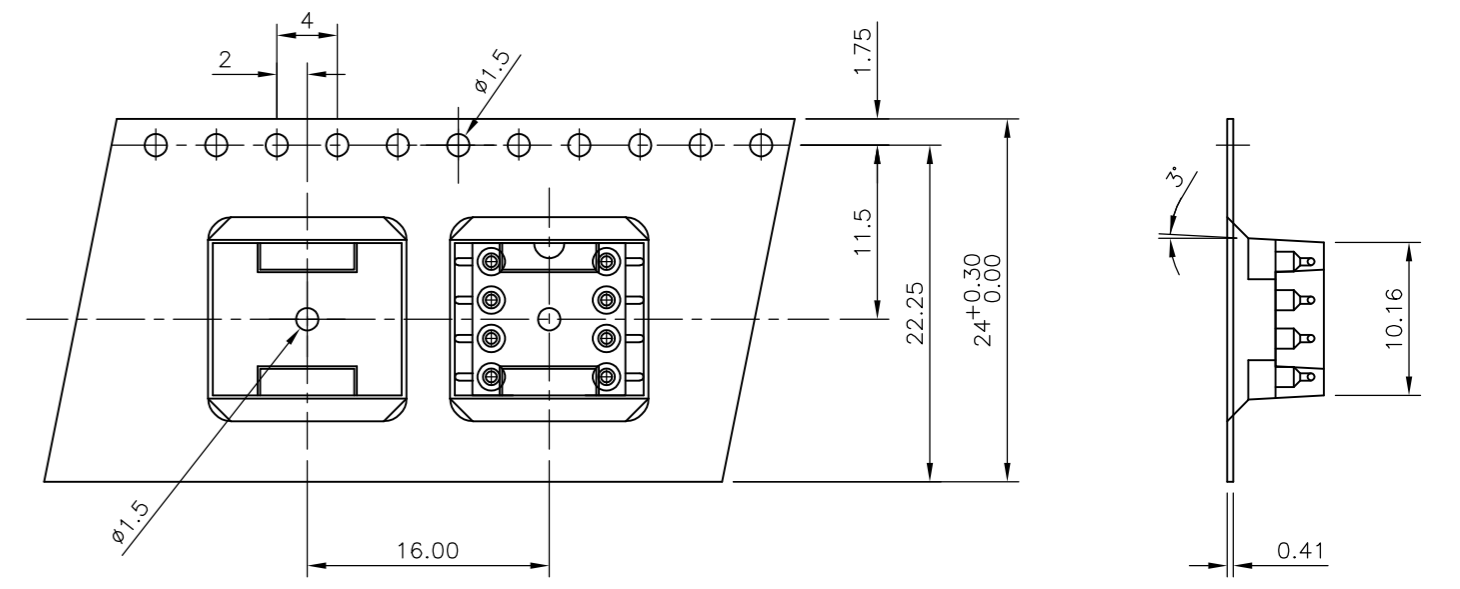
LOC		DIST		REVISIONS			
P	LTR	DESCRIPTION		DATE	DWN	APVD	
	D	REVISED PER ECO-09-005103		04MAR09	HMR	MM	

COPLANARITY
 0.00 ± 0.10
 (ACROSS ALL TAILS
 UP TO 40 POSITIONS)



"N" = NUMBER OF POSITIONS

TAPE AND REEL PACKAGING OPTION FOR 8 POSITION



NOTES:

- MATERIAL:
 - 1, INSULATOR - THERMOPLASTIC POLYESTER UL-94-V-0.
 - 2, SLEEVE - BRASS.
 - 3, CONTACT - STAMPED BERYLLIUM COPPER.
- PIN SPECIFICATION:
 - CONTACT ACCEPTS: ROUND PIN 0.40 TO 0.56. RECTANGULAR PIN 0.25 x 0.45 (NOMINAL).
- MECHANICAL DATA:
 - INSERTION FORCE- 2N MAX/CONTACT.
 - EXTRACTION FORCE- 1N MIN/CONTACT.
 - MECHANICAL LIFE- 100 CYCLES MIN (0.75µm Au) 50 CYCLES MAX (FLASH Au) 25 CYCLES MAX (5µm Sn)
 - CONTACT RETENTION- 3.3N MIN.
 - SOLDER PROCESS CAPABILITY-280°C
- ELECTRICAL:
 - CONTACT RESISTANCE- 10m Ohm MAX.
 - CONTACT RATING- 1Amp
 - INSULATION RESISTANCE- AT 500V AC BETWEEN ANY 2 ADJACENT CONTACTS MIN 10000m Ohm.
 - DIELECTRIC VOLTAGE- MIN 1000V RMS.
- ENVIRONMENTAL:
 - OPERATION TEMPERATURE- -55 +125°C
- EACH TUBE TO BE INDIVIDUALLY LABELLED. THE LABEL WILL HAVE TE PART NUMBER, XX QTY PER TUBE, DATE CODE AND RoHS DIRECTIVE DETAILS (RoHS 2002/95/EC). OUTER BOX / SHIPPER CARTON TO BE LABELLED WITH TE PART NUMBER, TOTAL XXX QTY PER OUTER BOX / SHIPPER CARTON, DATE CODE AND RoHS DIRECTIVE DETAILS (RoHS 2002/95/EC). TAPE AND REEL PACKAGED SEE DETAIL
- FOR TECHNICAL DATA REFER TO YOUR LOCAL TYCO ELECTRONICS SALES OFFICE.

NOTES:

- TAPE AND REEL PACKAGING ACCORDING TO EIA 481
- REEL DIAMETER : 330mm

5µm MIN Sn	5µm Sn OVER 2-3µm Ni	4.4	10.1	10.1	12.26	7.62	8	2	1825575-2
5µm MIN Sn	5µm Sn OVER 2-3µm Ni	4.4	10.1	10.1	12.26	7.62	8	2	1825575-1
Contact Plating	Sleeve Plating	E	D	C	B	A	Number Of Positions	Fig	Part No

THIS DRAWING IS A CONTROLLED DOCUMENT.

DIMENSIONS: mm	TOLERANCES UNLESS OTHERWISE SPECIFIED:	DWN M.BINNER 20MAR06	Tyco Electronics Corporation Harrisburg, PA 17105-3608
	0 PLC ± -	CHK M.MILLER 20MAR06	
	1 PLC ± -	APVD M.MILLER 20MAR06	
	2 PLC ± -	PRODUCT SPEC	
MATERIAL	FINISH	APPLICATION SPEC	NAME SURFACE MOUNT DIP IC SOCKET OUTBOARD TERMINATION

SIZE A2	CAGE CODE 00779	DRAWING NO C=1825575	RESTRICTED TO
CUSTOMER DRAWING		SCALE 2:1	SHEET 1 OF 1

单击下面可查看定价，库存，交付和生命周期等信息

[>>TE Connectivity\(泰科\)](#)