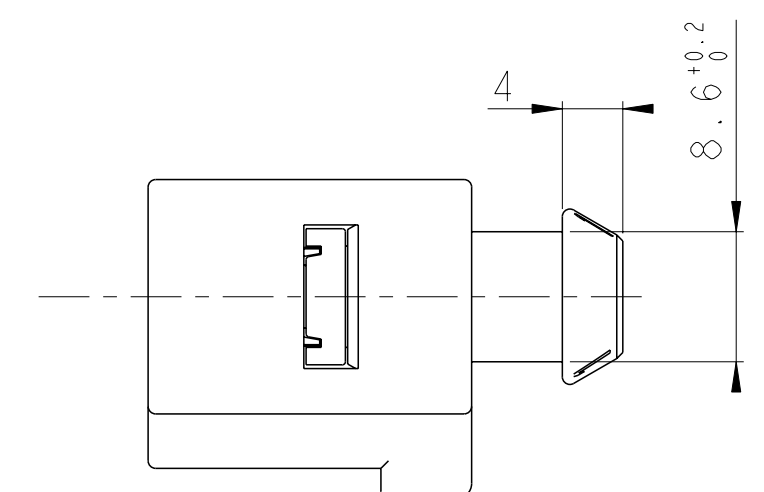
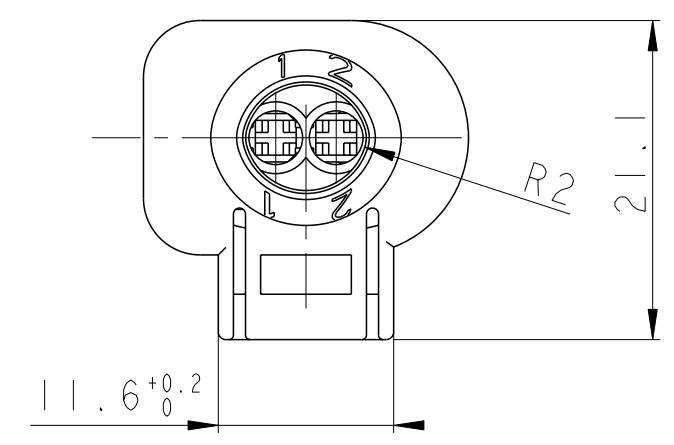
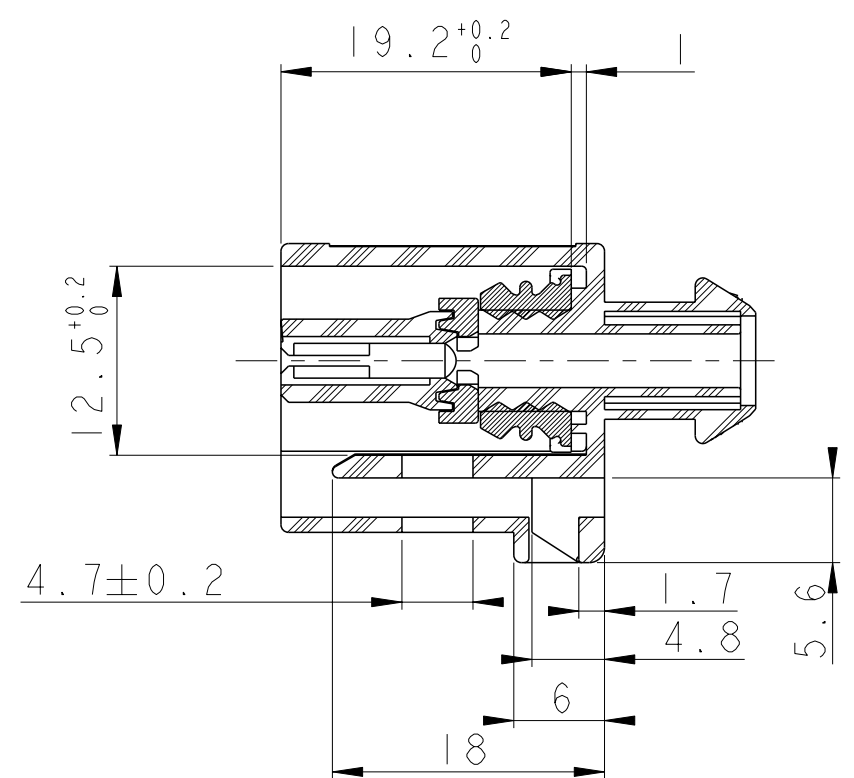
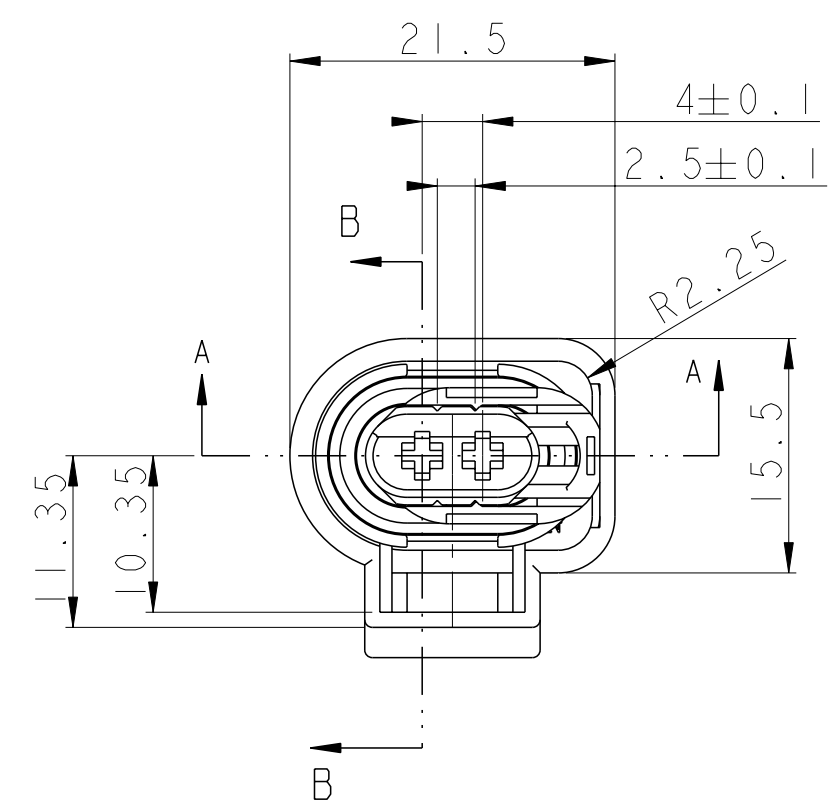
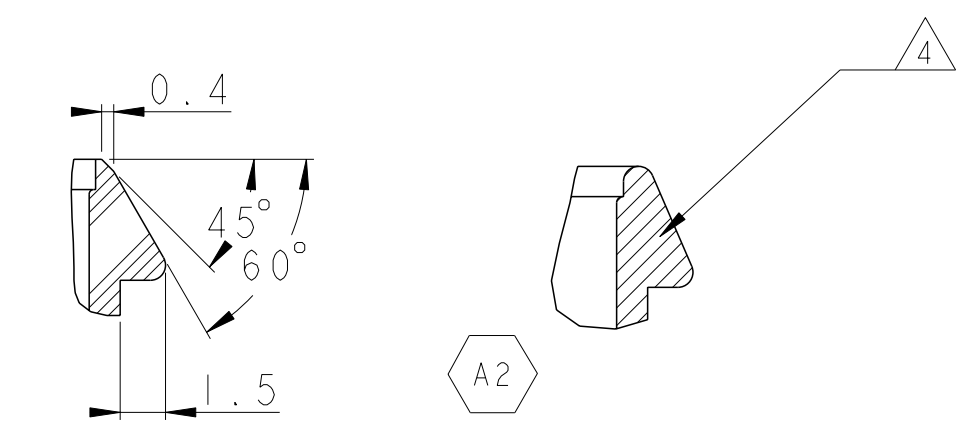


THIS DRAWING IS UNPUBLISHED. RELEASED FOR PUBLICATION 20
 © COPYRIGHT 20 BY - ALL RIGHTS RESERVED.

REVISIONS				
P	LTR	DESCRIPTION	DATE	APVD
A		ADD PART NO(ECO-06-000991)	20DEC2005	S.X K.O
A1		CORRECT CODE IDENTIFICATION	14DEC2006	R.Z K.O
A2		CHANGE MARK ECR-16-012797	29SEP2016	C.N I.Y

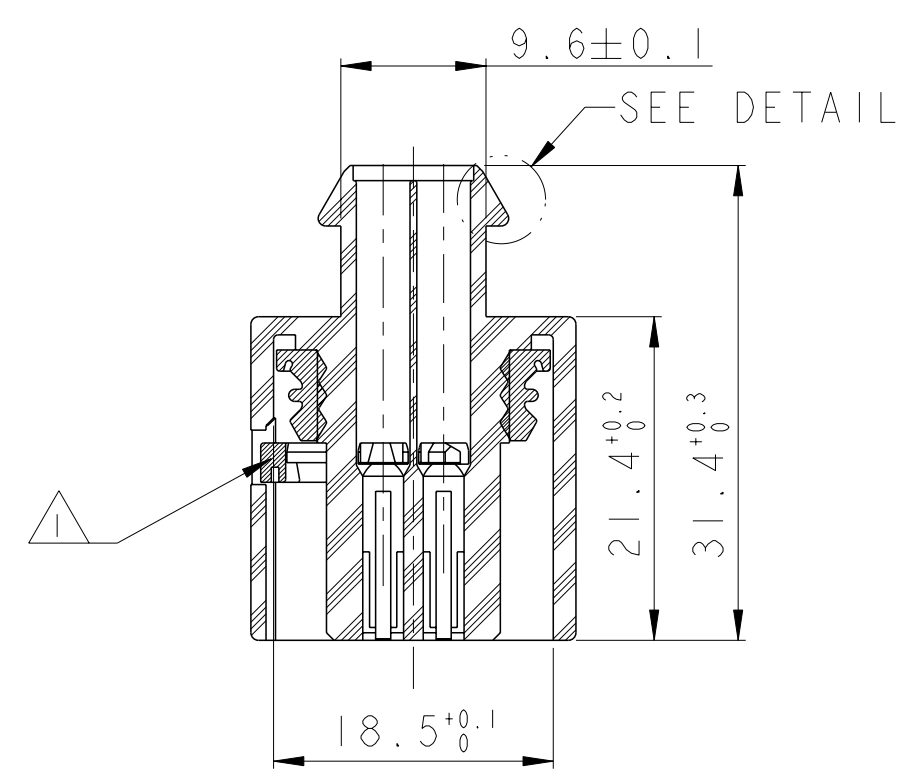
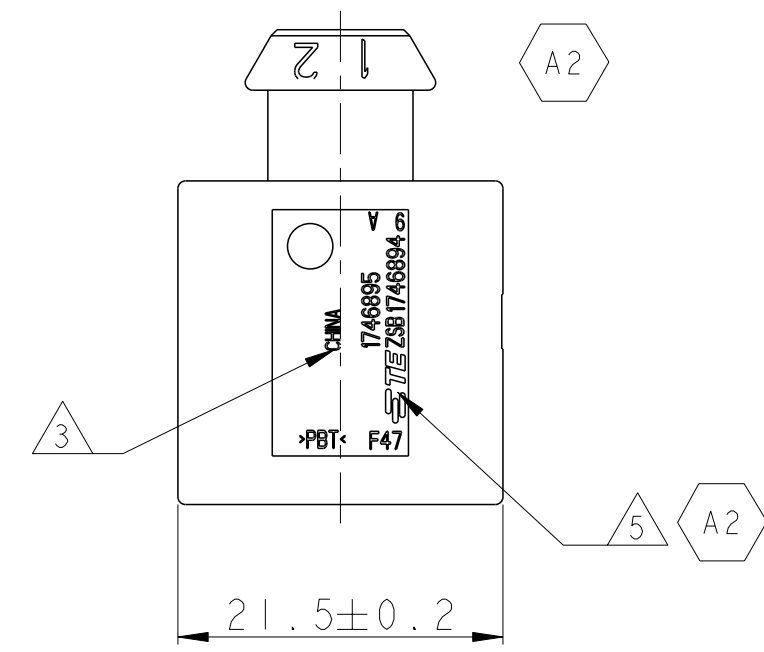


SECTION B-B

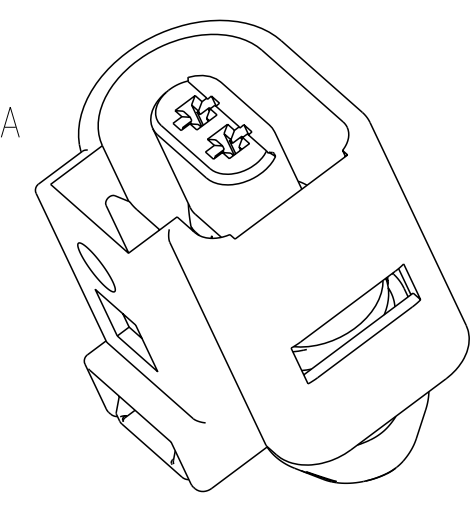


DETAIL A SCALE 4:1

DETAIL A SCALE 4:1



SECTION A-A

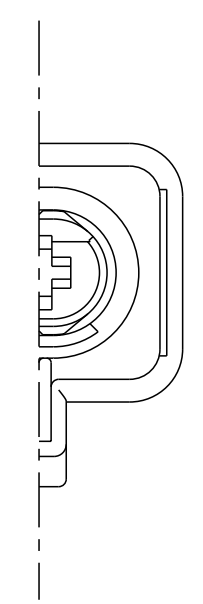


NOTES

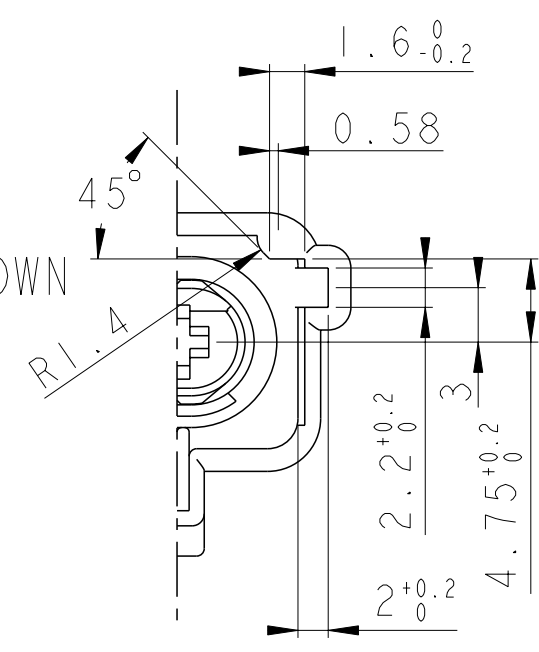
- 1 SHOWN AS SUPPLIED:RETAINER IN PRE-LOCKED POSITION.
- 2 BULK PACKAGED
- 3 COUNTRY MARK IS NOT APPLIED FOR 1746894-5
- 4 NEW SHAPE APPLIED FOR NEW MOLD AND MOLD REPLACEMENT
- 5 TE LOGO DEVIATION FOR OLD MOLD

COADINGS

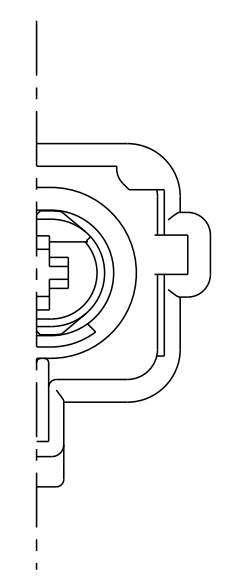
I BLACK



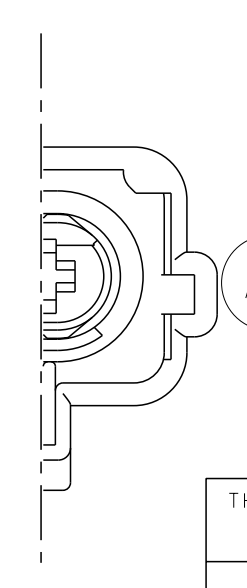
II DARK BROWN



III RED



IV ORANGE



CODING	ASSY NO	DESCRIPTION	ITEM NO
I	1746894-5	MT2 RD SEAL 2POSN PLUG HSG ASSY	5
IV	1746894-4	MT2 RD SEAL 2POSN PLUG HSG ASSY	4
III	1746894-3	MT2 RD SEAL 2POSN PLUG HSG ASSY	3
II	1746894-2	MT2 RD SEAL 2POSN PLUG HSG ASSY	2
I	1746894-1	MT2 RD SEAL 2POSN PLUG HSG ASSY	1

THIS DRAWING IS A CONTROLLED DOCUMENT.

DWN	XP_HE	13FEB2004
CHK	N_SAI	13FEB2004
APVD	N_SAI	13FEB2004
PRODUCT SPEC	108-18179	
APPLICATION SPEC	-	
WEIGHT	-	
CUSTOMER DRAWING	SCALE 2:1	SHEET 1 OF 1

STE TE Connectivity

NAME: MT2 RD SEAL 2POSN PLUG HSG ASSY

SIZE: A2 CAGE CODE: 00779 C=1746894

RESTRICTED TO: -

REV: A2

单击下面可查看定价，库存，交付和生命周期等信息

[>>TE Connectivity\(泰科\)](#)