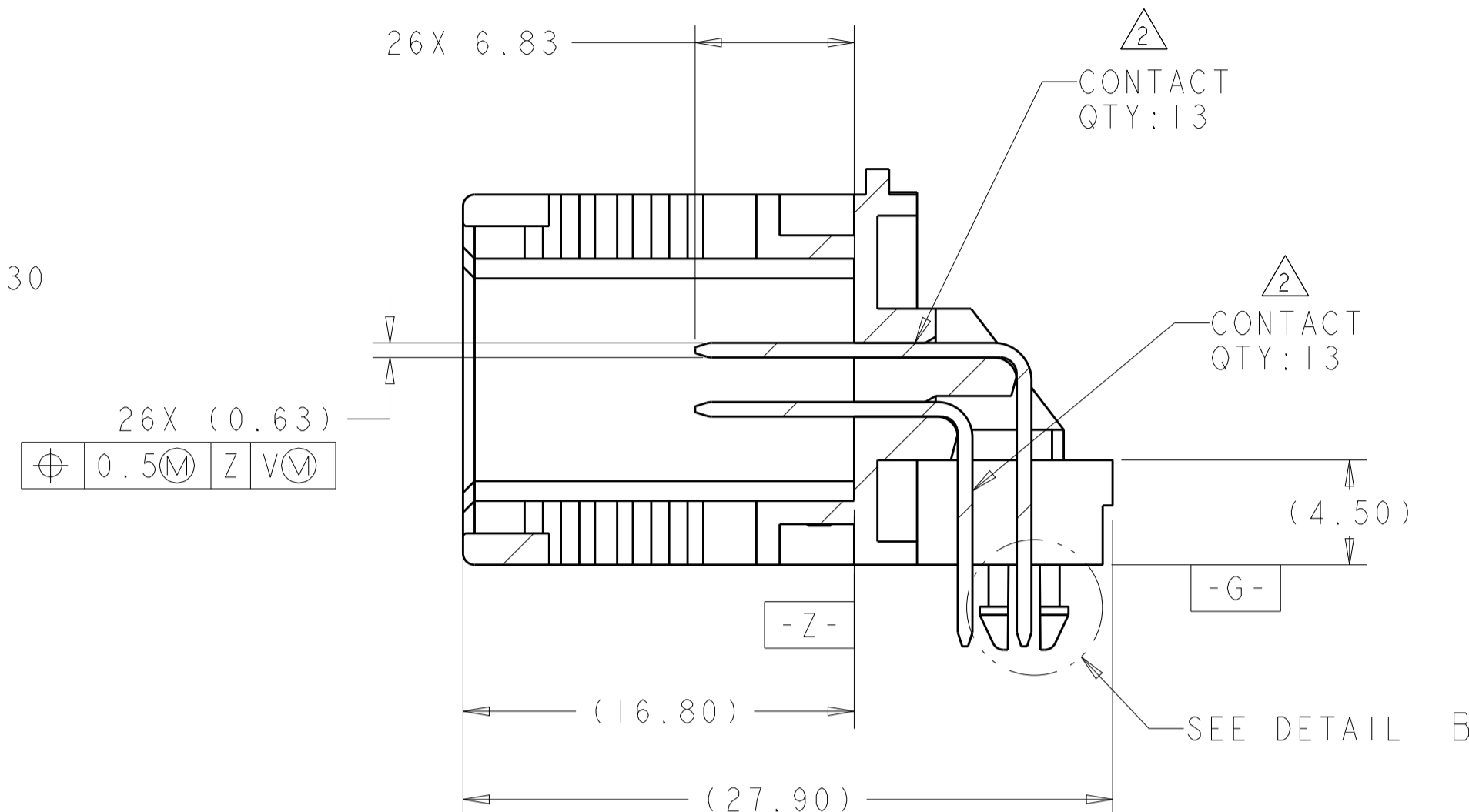
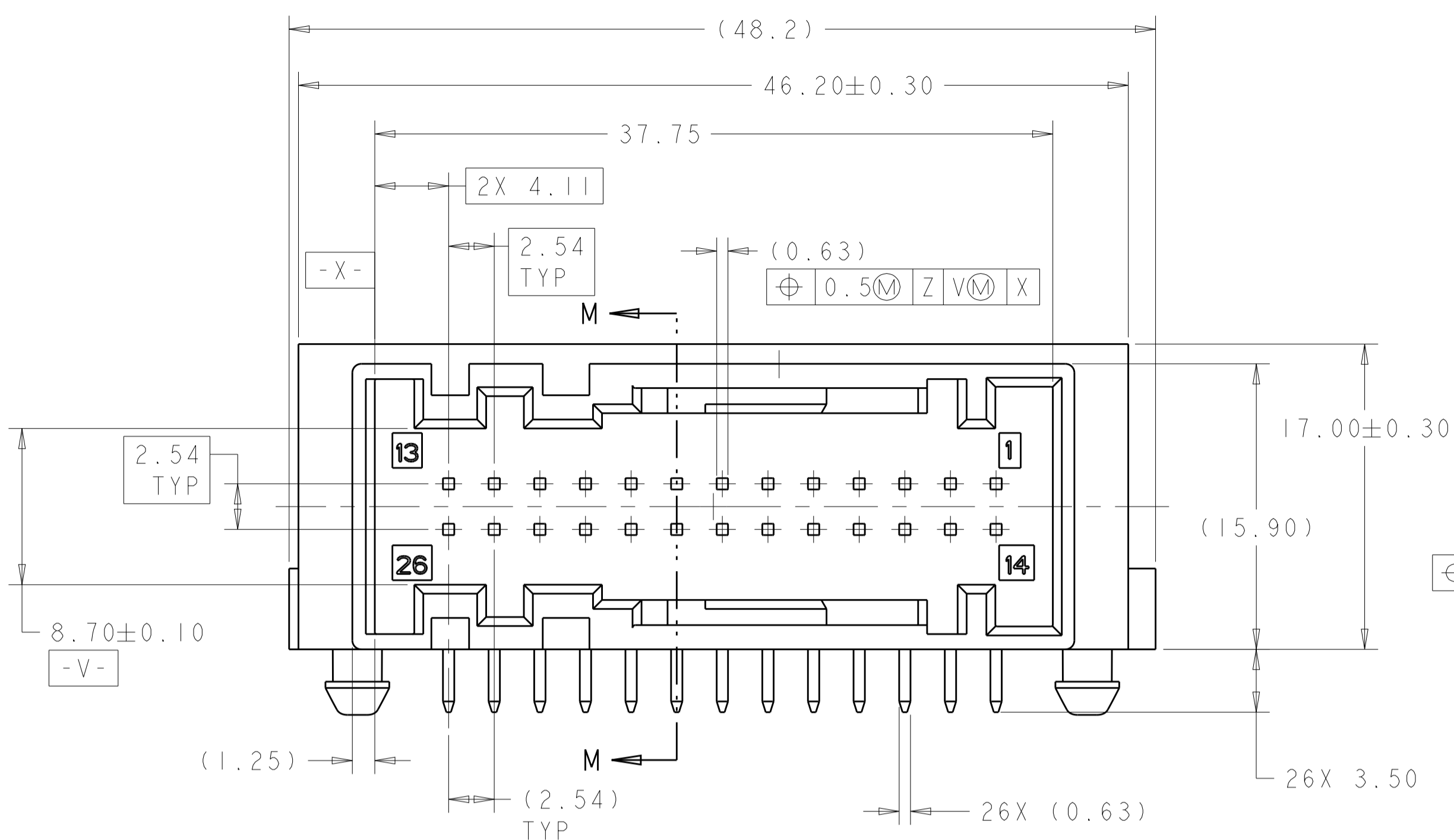


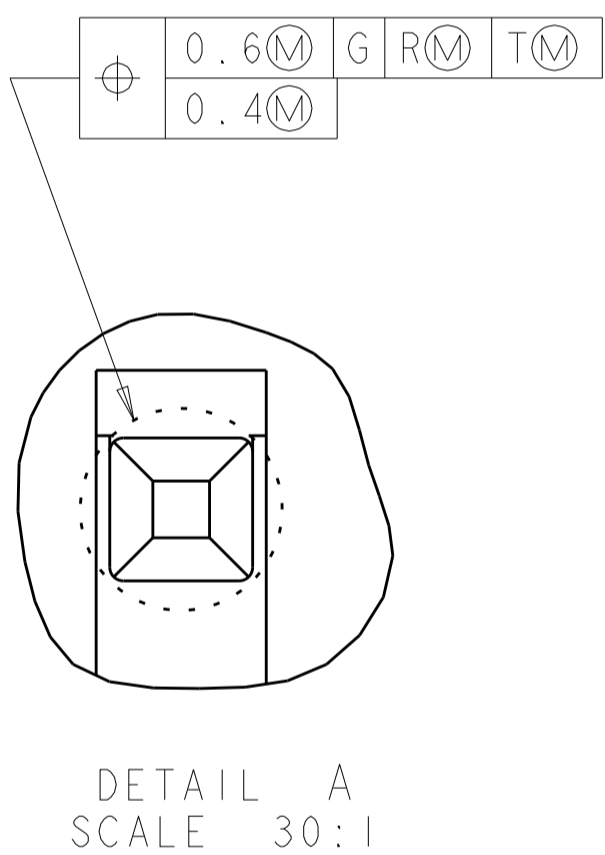
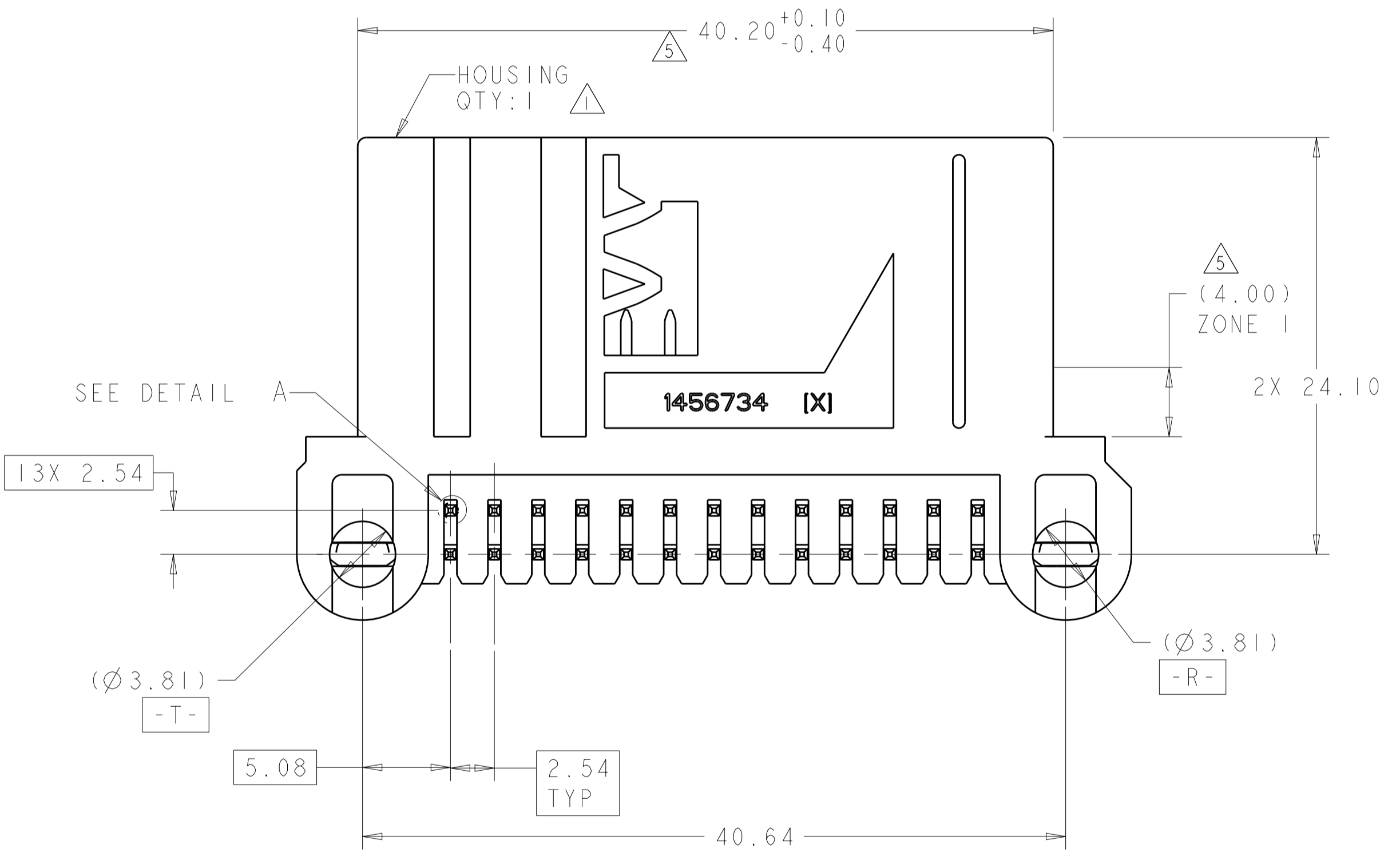
REVISIONS				
P.	LTN	DESCRIPTION	DATE	APVD
A6		REV PER ECR-15-009409	23JUN2015	MBH JS

1456736-2 AS SHOWN
KEYING CODE "BF"

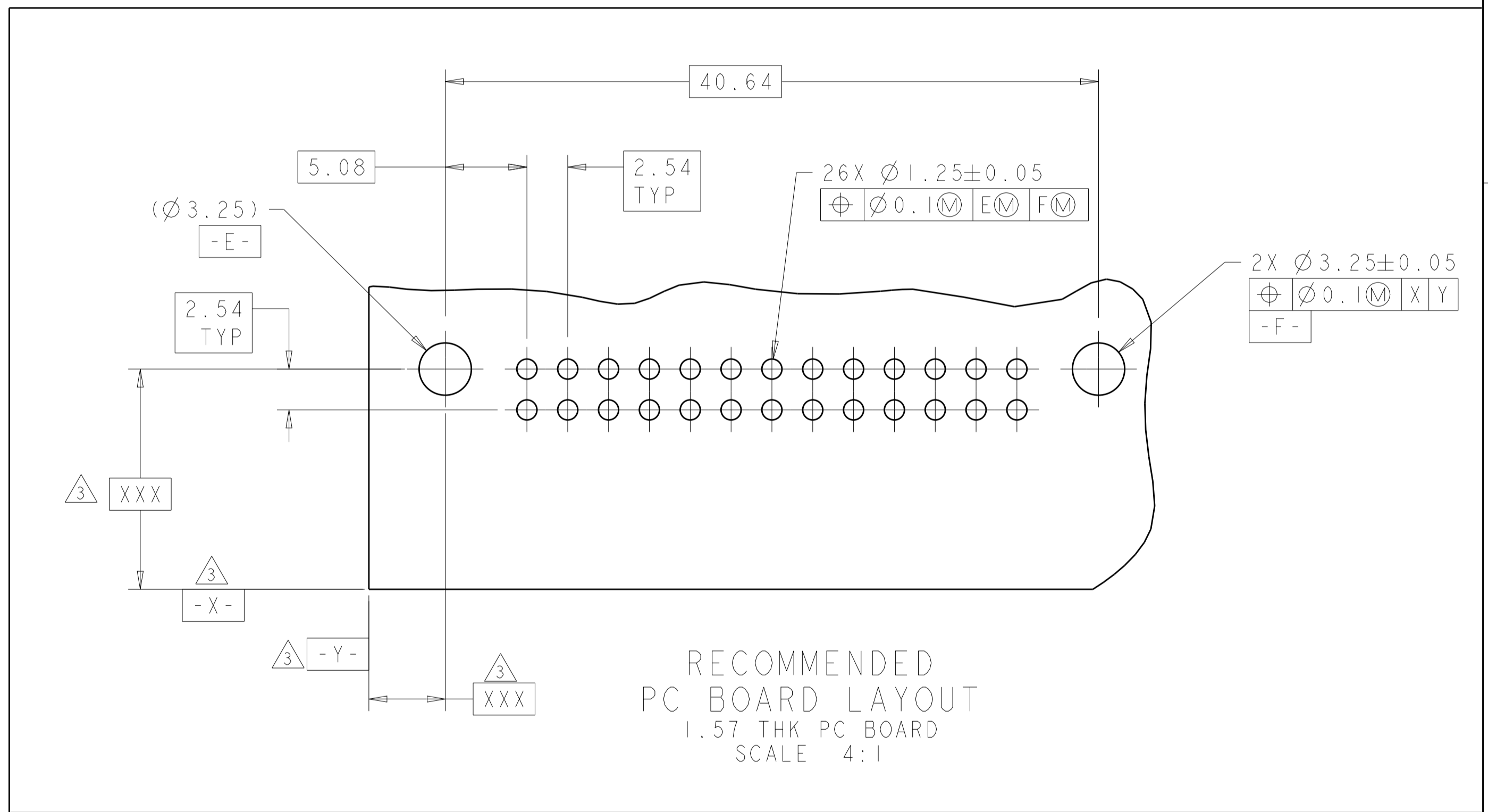
- ① HOUSING: PBT, 20% GLASS
- ② CONTACTS: COPPER ALLOY, TIN OVER NICKEL PLATE
- ③ DATUMS AND BASIC DIMENSIONS ESTABLISHED BY THE CUSTOMER
- ④ N/A
- ⑤ 40.20+0.10/-0.40 MEASURED AT TOP OF SHROUD.
40.20±0.40 MEASURED IN ZONE 1



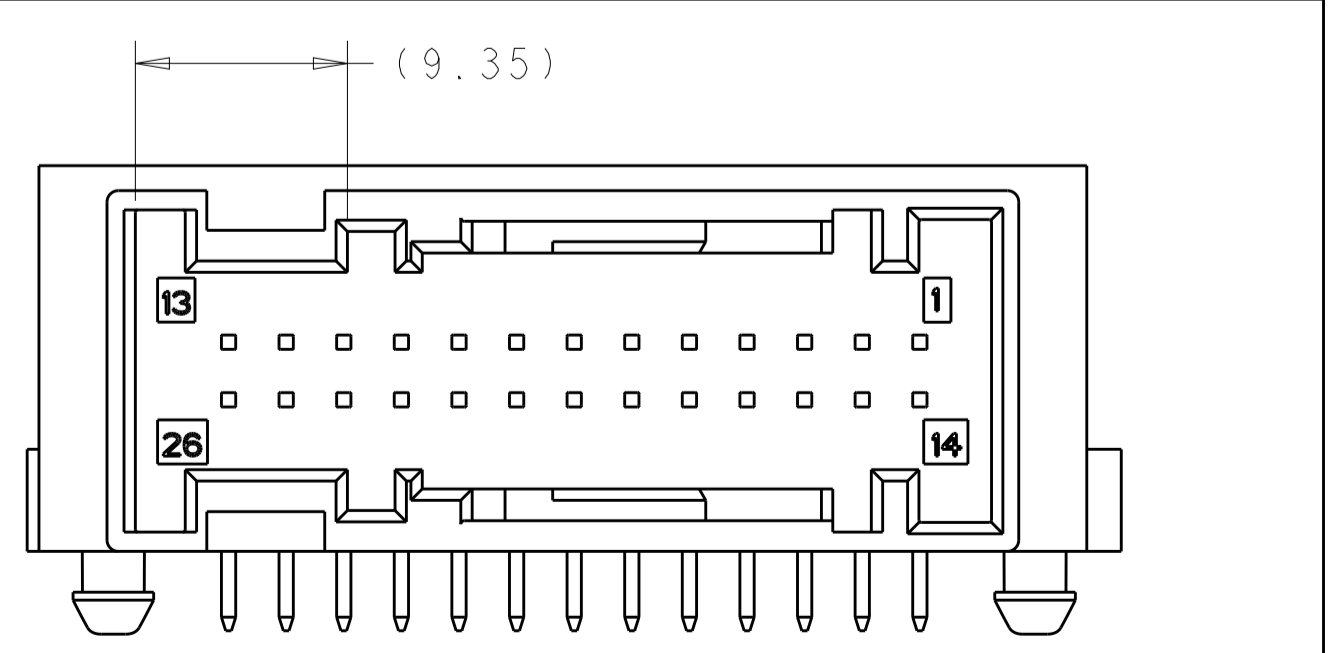
SECTION M-M



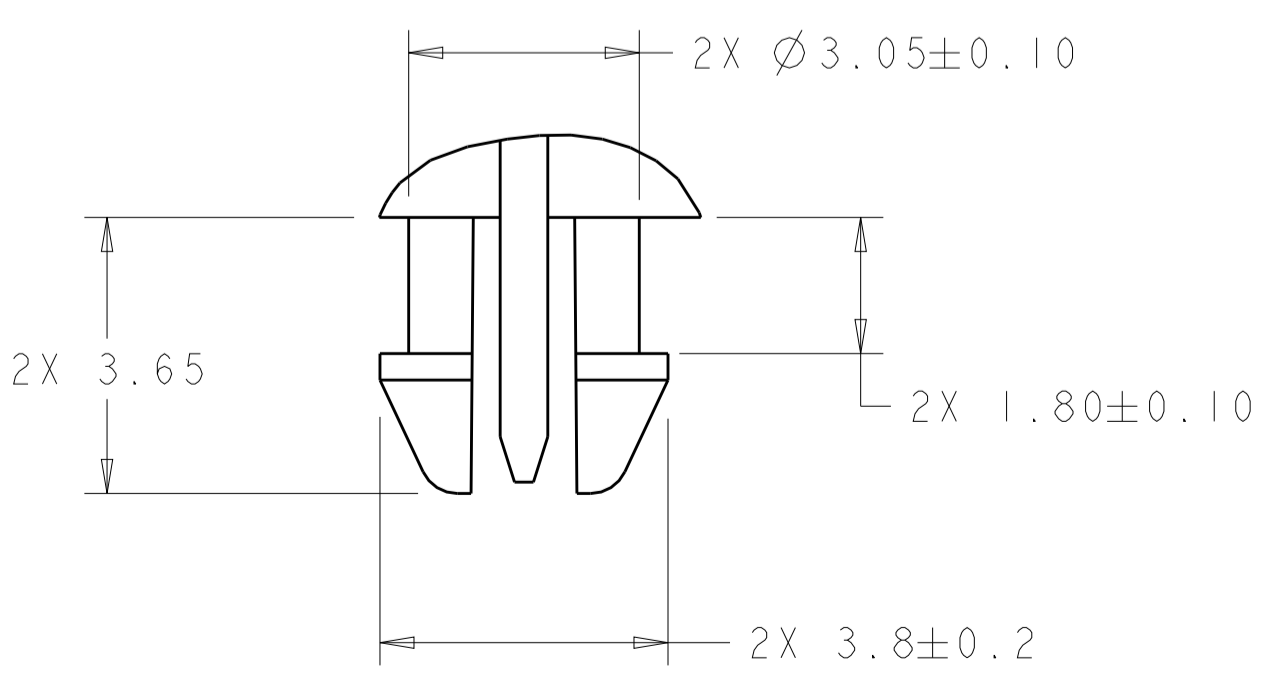
DETAIL A
SCALE 30:1



RECOMMENDED
PC BOARD LAYOUT
1.57 THK PC BOARD
SCALE 4:1



KEYING CODE "AE"
1456736-1
SCALE 3:1



DETAIL B
SCALE 10:1

KEYING CODE	COLOR	PART NUMBER
"BF"	BLUE	1456736-3
"BF"	BLACK	1456736-2
"AE"	BLACK	1456736-1

THIS DRAWING IS A CONTROLLED DOCUMENT.		OWN: H. MOLL 15MAY2006	TE Connectivity	
DIMENSIONS: mm		CHK: J. SLUSSER 30MAY2006		
TOLERANCES UNLESS OTHERWISE SPECIFIED:		APVD: J. SLUSSER 30MAY2006	NAME: HEADER ASSY, 26 WAY, RIGHT ANGLE, WITH BOARDLOCKS, RIGHT CABLE EXIT, (INVERTED INTERFACE), MQS	
0 PLC ±		PRODUCT SPEC	SIZE: A1	
1 PLC ±0.20		APPLICATION SPEC	CAGE CODE: 1456736	
2 PLC ±		WEIGHT	RESTRICTED TO	
3 PLC ±		Customer Drawing	SCALE: SHEET 1 OF 1 REV: A6	
4 PLC ±				
ANGLES ±				
FINISH: SEE TABLE				

单击下面可查看定价，库存，交付和生命周期等信息

[>>TE Connectivity\(泰科\)](#)