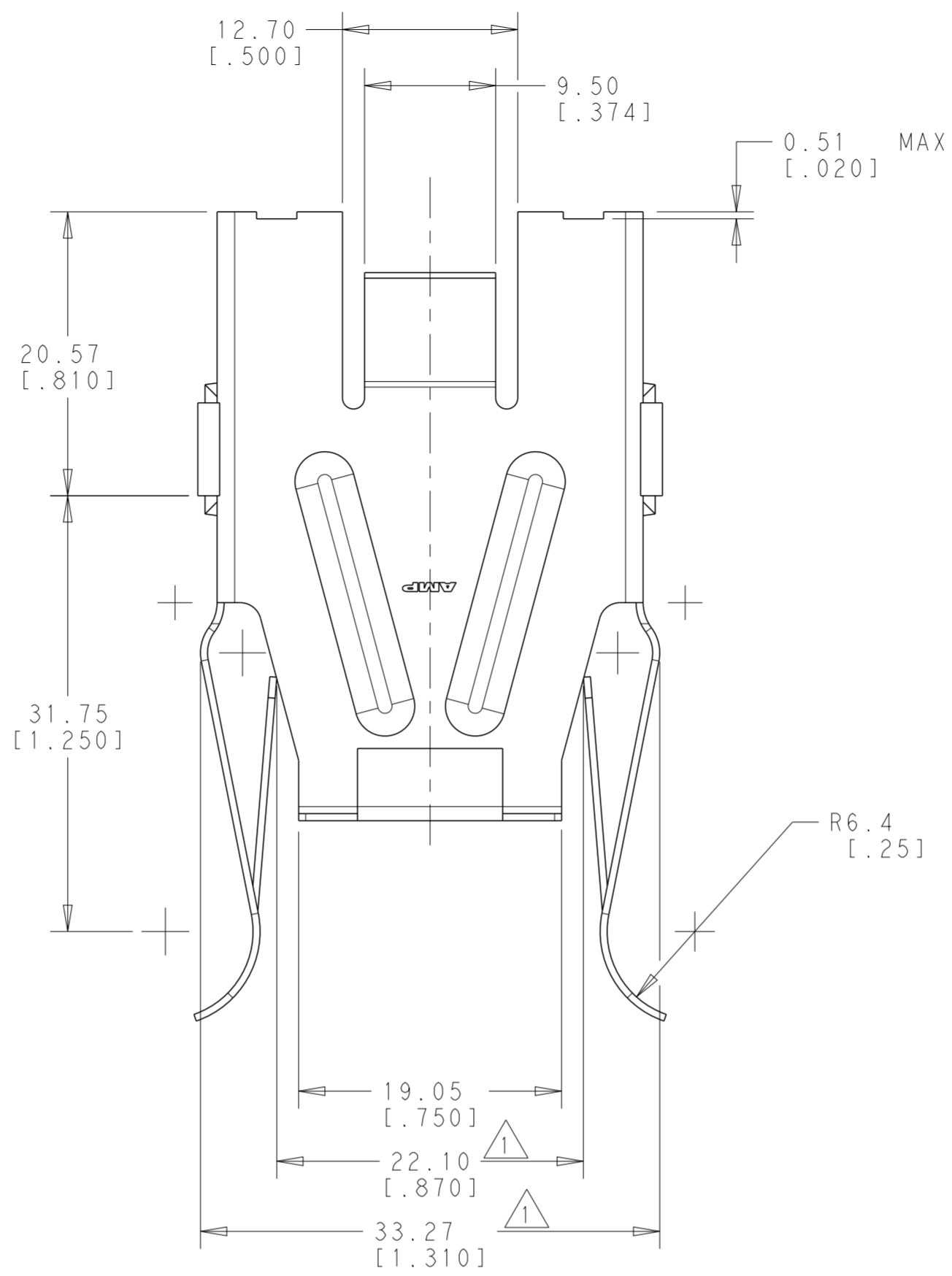
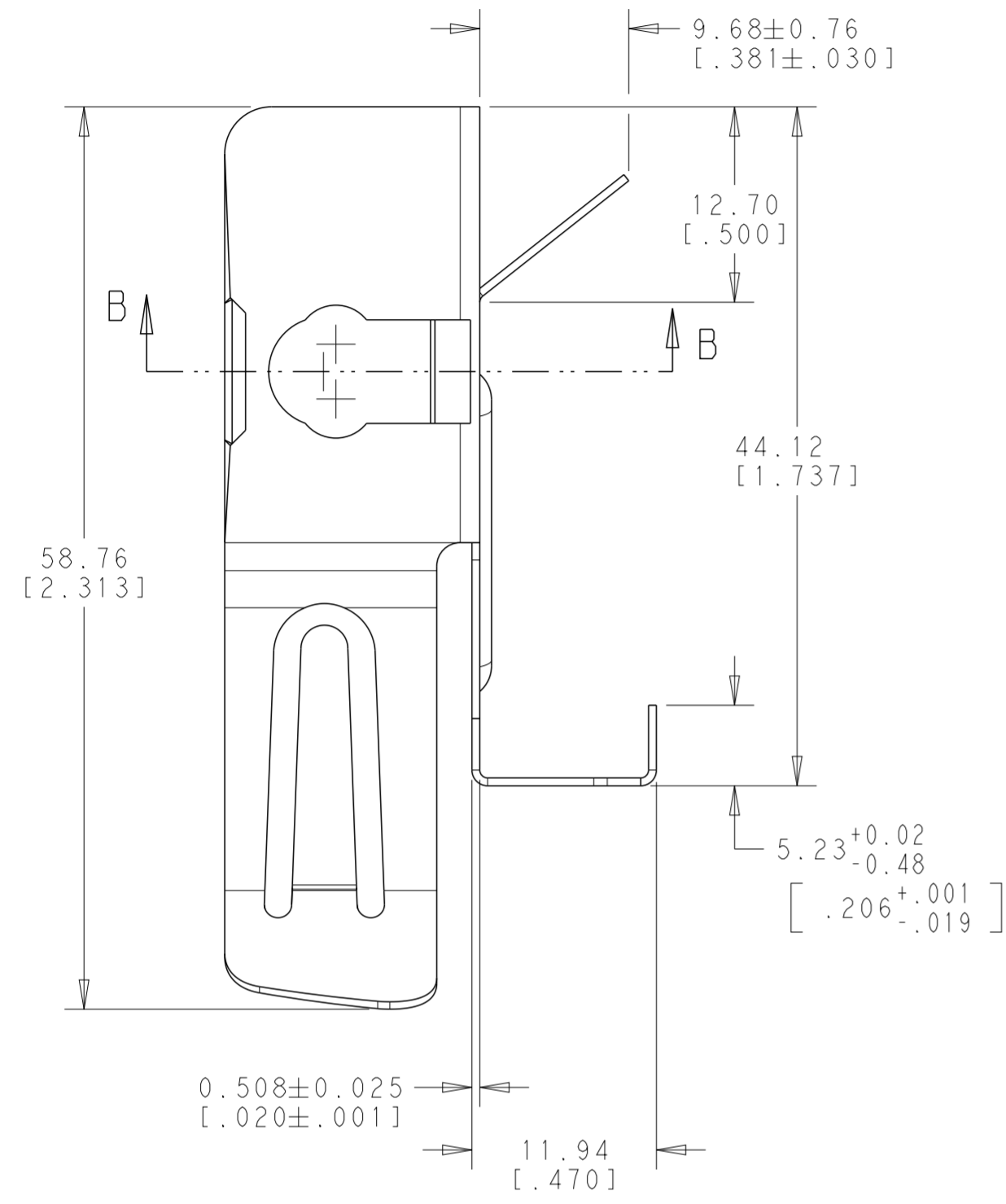
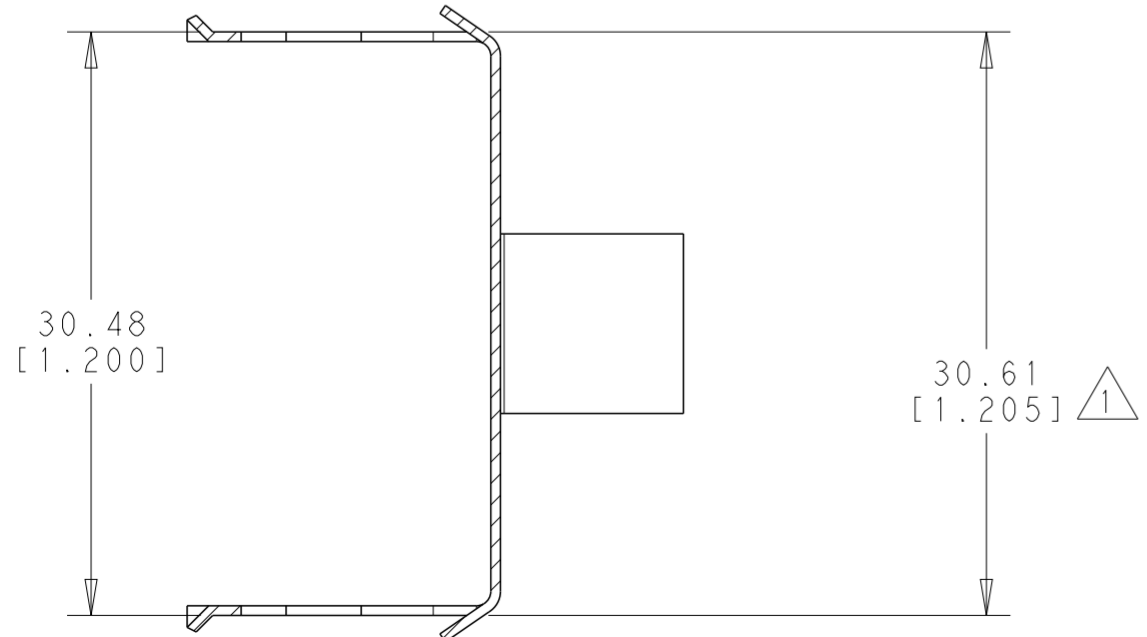


THIS DRAWING IS UNPUBLISHED. RELEASED FOR PUBLICATION 2015
 © COPYRIGHT 2015 BY TE CONNECTIVITY ALL RIGHTS RESERVED.

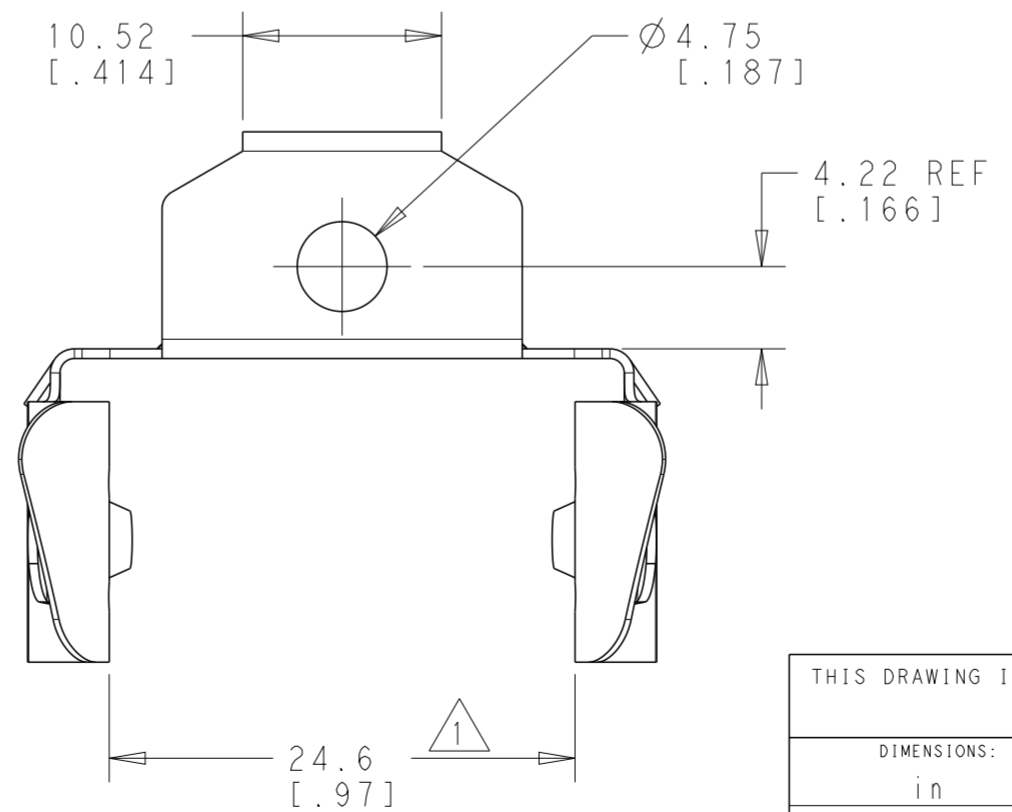
REVISIONS				
P	LTR	DESCRIPTION	DATE	APVD
	A1	PRODUCTION RELEASE	16MARCH2016	PK TD



1 DIMENSION TO BE CHECKED WHEN SIDES ARE PARALLEL WITH [1.215] DIM.
 2 1/4 HARD STAINLESS STEEL.



SECTION B-B



1969755-1
PART No.

THIS DRAWING IS A CONTROLLED DOCUMENT.		DWN JR RUTH 09JUN2015	TE Connectivity	
DIMENSIONS: in		CHK MIKE DIDONATO 09JUN2015		
TOLERANCES UNLESS OTHERWISE SPECIFIED:		APVD MIKE DIDONATO 09JUN2015	NAME CLIP, CONNECTOR HEAVY DUTY BURNER	
0 PLC ±	1 PLC ±	PRODUCT SPEC	SIZE A2	CAGE CODE -
2 PLC ±0.8 [0.03]	3 PLC ±0.25 [0.010]	APPLICATION SPEC	DRAWING NO C-1969755	RESTRICTED TO -
4 PLC ±	ANGLES ±	WEIGHT -	SCALE 5:2	SHEET 1 OF 1
MATERIAL -	FINISH -	CUSTOMER DRAWING	REV A1	

单击下面可查看定价，库存，交付和生命周期等信息

[>>TE Connectivity\(泰科\)](#)