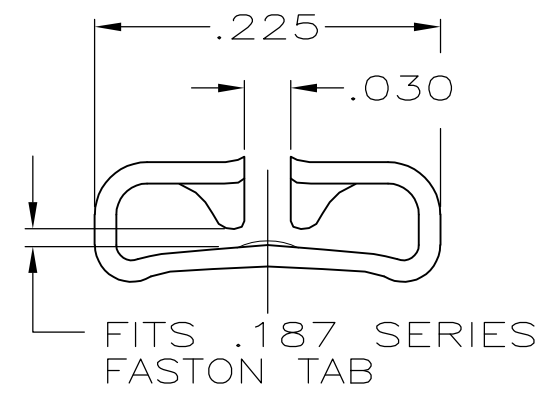
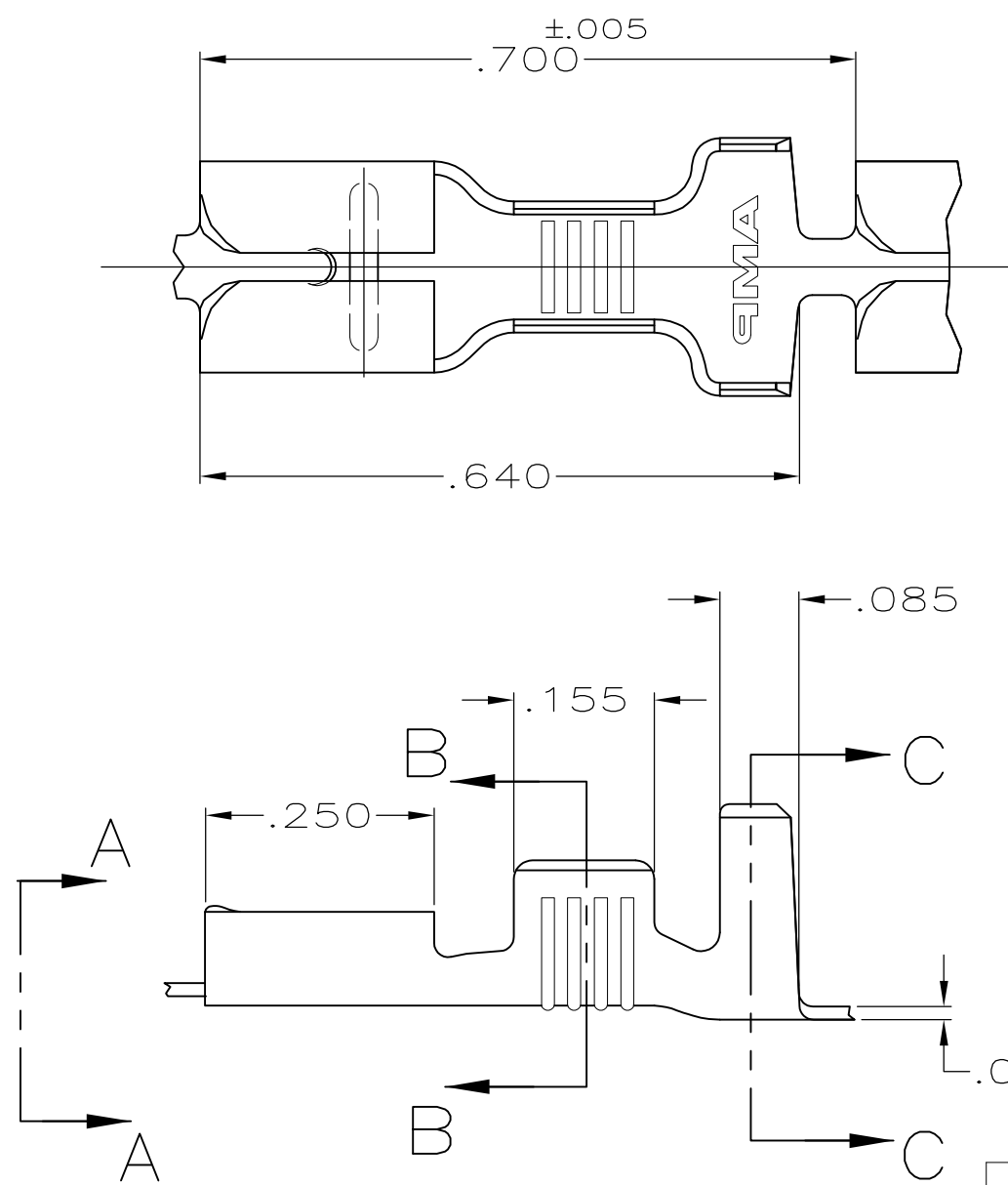


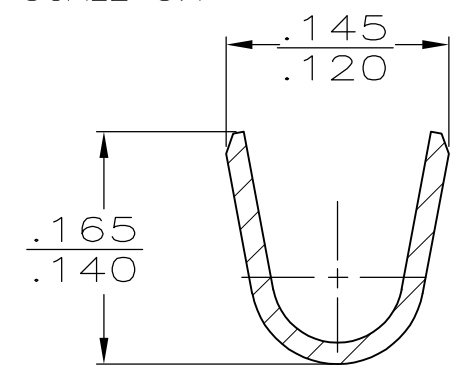
THIS DRAWING IS UNPUBLISHED. RELEASED FOR PUBLICATION
 © COPYRIGHT - By - ALL RIGHTS RESERVED.

LOC	DIST	REVISIONS			
P	LTR	DESCRIPTION	DATE	DWN	APVD
AF	50	F	REVISED PER ECR-12-013459	28NOV2012	KH PD

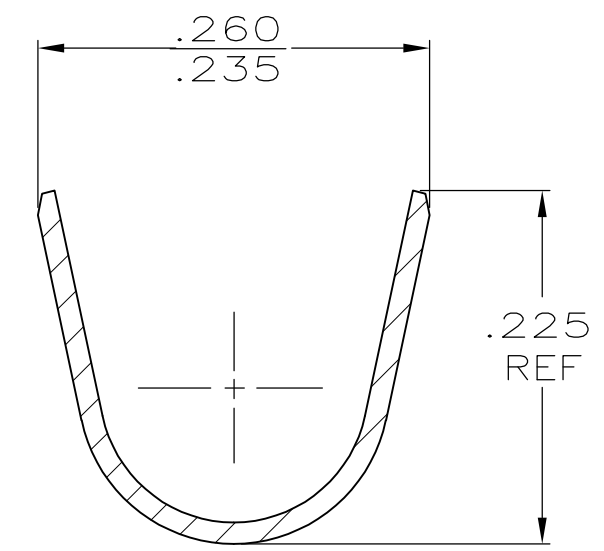
1 CONTINUOUS STRIP ON REELS.



VIEW A-A
SCALE 8:1



SECTION B-B
SCALE 8:1



SECTION C-C
SCALE 8:1

TIN	.150-.190 DIA	#18-14 AWG	.020	62016-2
-				62016-1
FINISH	INSUL RANGE	WIRE SIZE	MATING TAB THK ±.001	PART NUMBER

THIS DRAWING IS A CONTROLLED DOCUMENT.		DWN JR RUTH 11/7/91	STE TE Connectivity	
DIMENSIONS: INCHES		CHK MS FEHER 11/7/91		
TOLERANCES UNLESS OTHERWISE SPECIFIED:		APVD C MEYERS 11/7/91	NAME RECEPTACLE, FASTON,™ .187 SERIES	
0 PLC ± -		PRODUCT SPEC -	SIZE A3	
1 PLC ± -		APPLICATION SPEC -	CAGE CODE 00779	DRAWING NO C-62016
2 PLC ± -		WEIGHT -	RESTRICTED TO -	
3 PLC ± .010		CUSTOMER DRAWING		
4 PLC ± -		SCALE 5:1		
ANGLES ± -		SHEET 1 OF 1		
MATERIAL BRASS	FINISH SEE TABLE	REV F		

单击下面可查看定价，库存，交付和生命周期等信息

[>>TE Connectivity\(泰科\)](#)