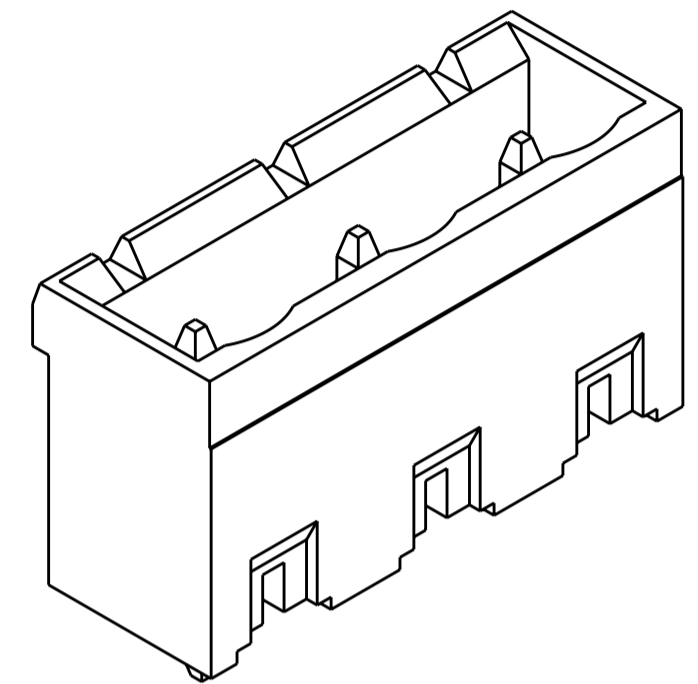
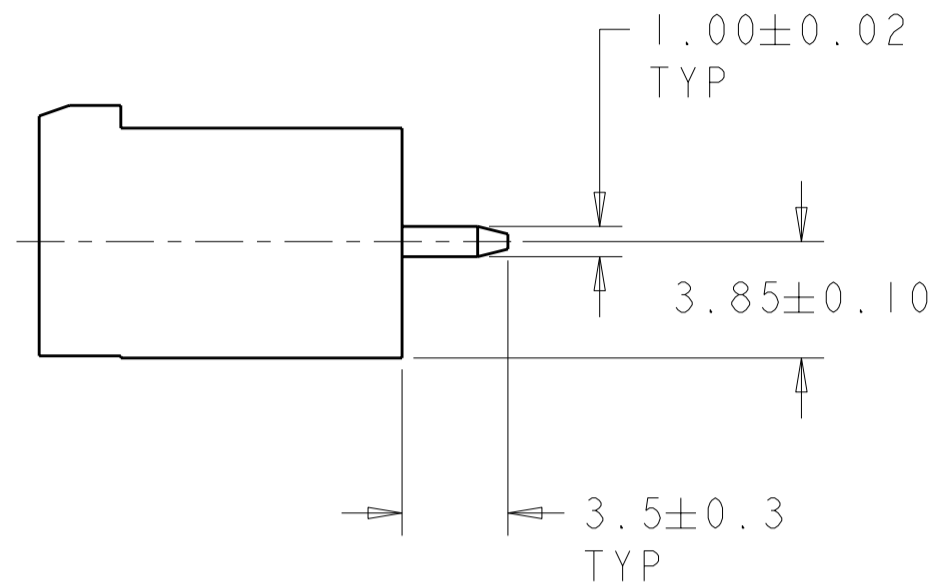
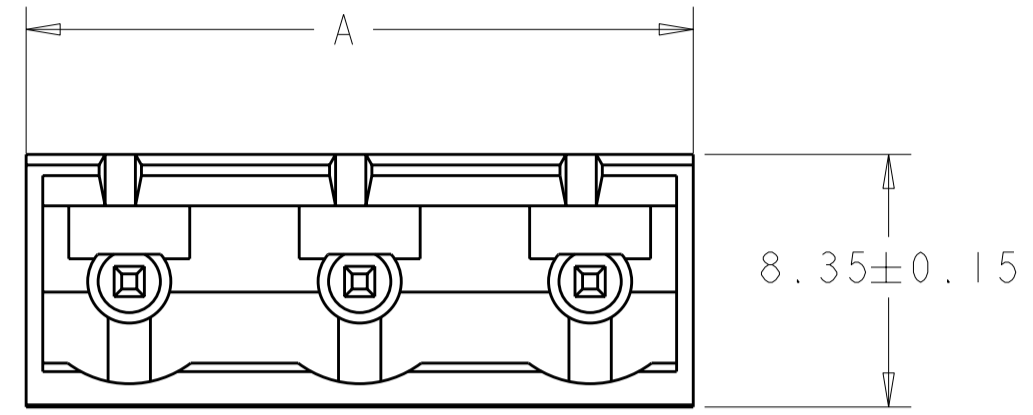
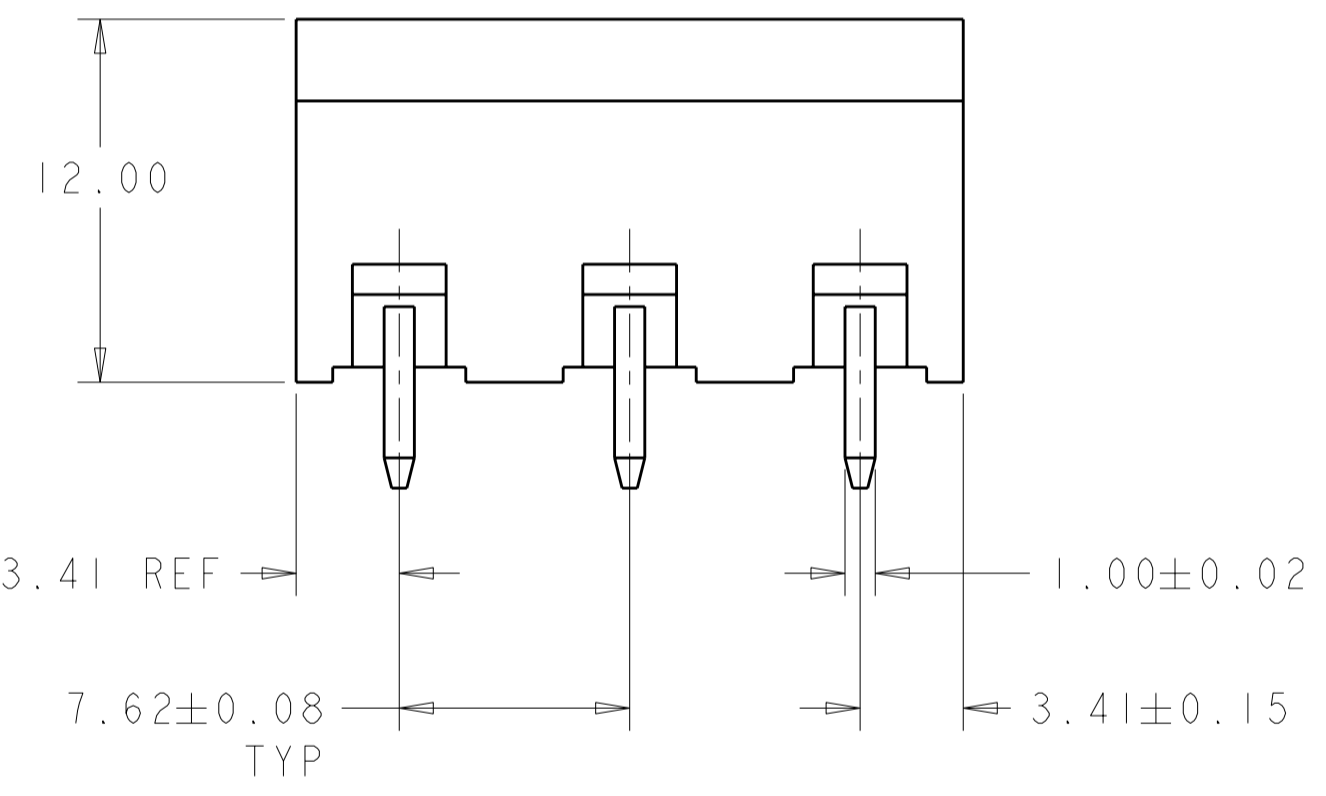


THIS DRAWING IS UNPUBLISHED. RELEASED FOR PUBLICATION 20
 © COPYRIGHT 20 Tyco Electronics AMP GmbH ALL RIGHTS RESERVED.

LOC	DIST	REVISIONS			
P	LTR	DESCRIPTION	DATE	DWN	APVD
FT	0	01 REVISED PER ECO-12-007711	26APR2012	KH	MS

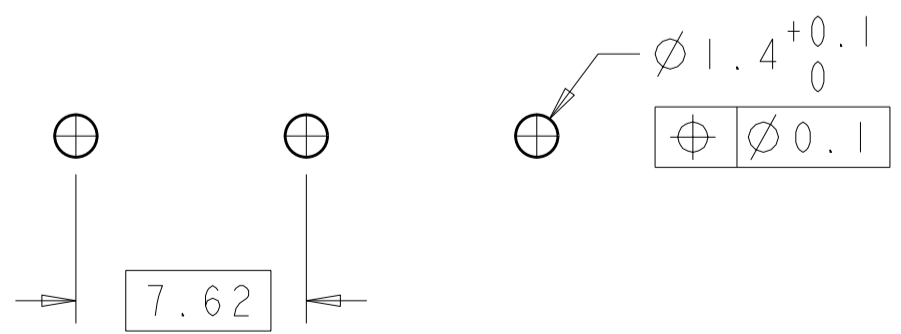


1776154-3 AS SHOWN



- ⚠ MATERIALS AND FINISH:
 HOUSING: HIGH TEMPERATURE POLYAMIDE, UL 94-V0,
 COLOR: BLACK.
 TERMINAL: COPPER ALLOY, TIN PLATED.
- SUITABLE FOR 1,6-2, 4mm PC BOARD THICKNESS.
 - RECOGNIZED UNDER THE COMPONENT PROGRAM OF UNDERWRITERS LABORATORIES INC. FILE N° E60677.
 - IMQ CERTIFICATE WITH SURVEILLANCE IN CONFORMITY WITH IEC 998-1/998-2-1.)

90.64	12	I-1776154-2
83.02	11	I-1776154-1
75.40	10	I-1776154-0
67.78	9	1776154-9
60.16	8	1776154-8
52.54	7	1776154-7
44.92	6	1776154-6
37.30	5	1776154-5
29.68	4	1776154-4
22.06	3	1776154-3
14.44	2	1776154-2
A	NO OF POSN	PART NUMBER



RECOMMENDED PC BOARD LAYOUT

THIS DRAWING IS A CONTROLLED DOCUMENT.

DIMENSIONS: mm	TOLERANCES UNLESS OTHERWISE SPECIFIED:	DWN S. WELDON 01 JUL 2005	TE Connectivity
		CHK C. RICHARD 01 JUL 2005	
		APVD C. RICHARD 01 JUL 2005	
		PRODUCT SPEC	
MATERIAL	FINISH	APPLICATION SPEC	NAME
		WEIGHT	TERMINAL BLOCK, HEADER ASSEMBLY
		CUSTOMER DRAWING	180 DEGREES, CLOSED ENDS
			7.62mm, PITCH
			SIZE
			A200779
			DRAWING NO
			C-1776154
			RESTRICTED TO
			-
			SCALE 4:1
			SHEET 1 OF 1
			REV 01

单击下面可查看定价，库存，交付和生命周期等信息

[>>TE Connectivity\(泰科\)](#)