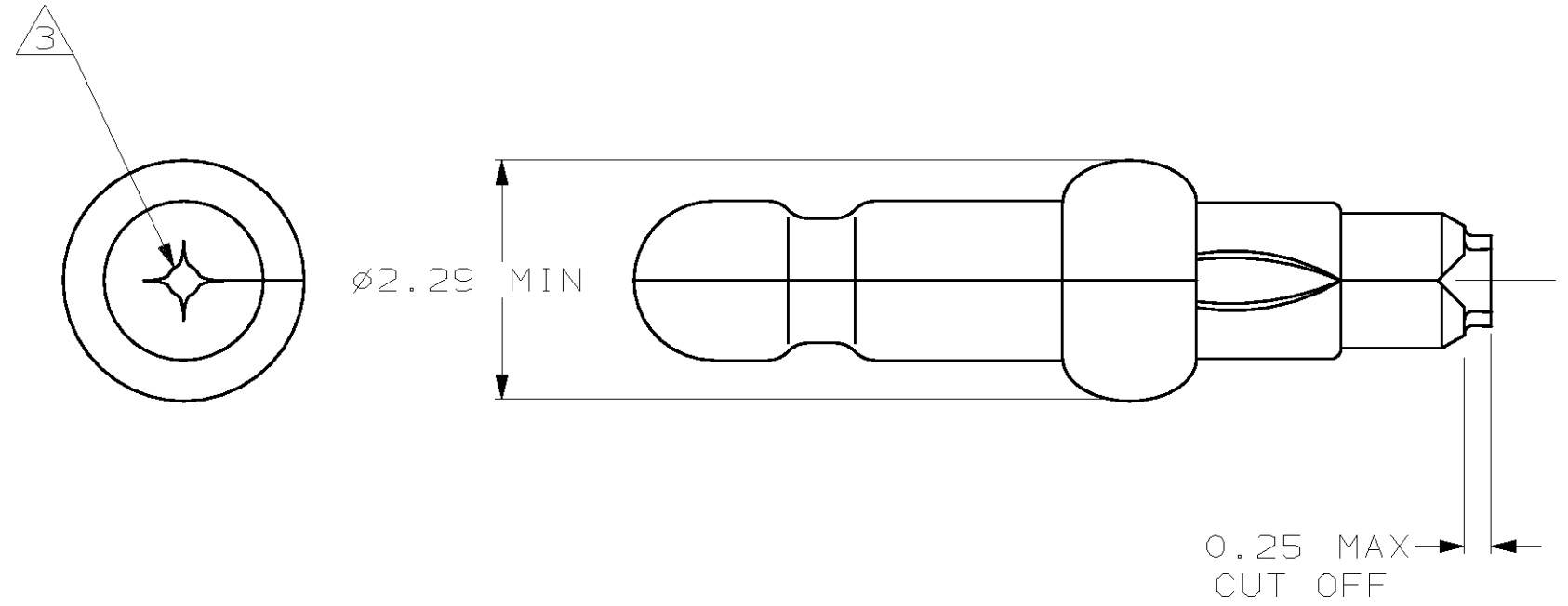
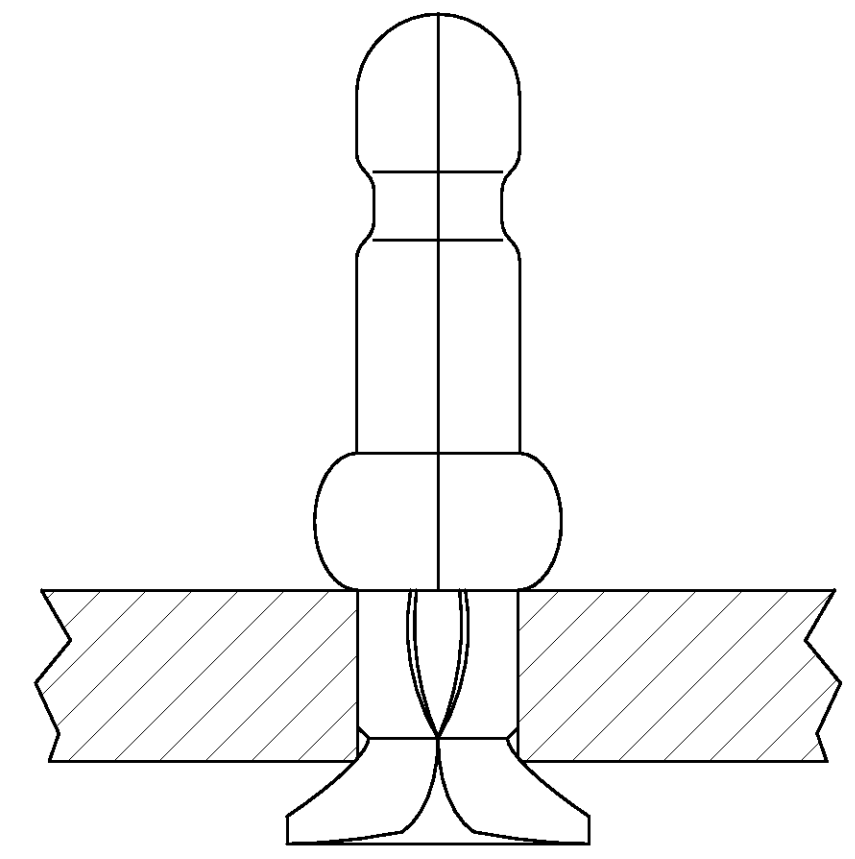
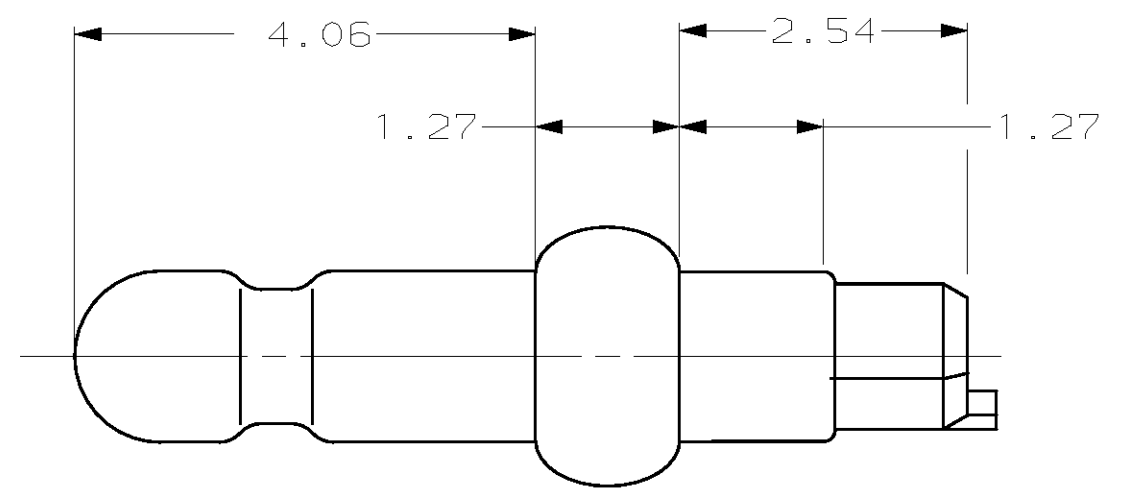


THIS DRAWING IS UNPUBLISHED. RELEASED FOR PUBLICATION
 (C) COPYRIGHT 19 BY AMP INCORPORATED. ALL RIGHTS RESERVED.

LOC	DIST	REVISIONS					
		P	LTR	DESCRIPTION	DATE	DWN	APVD
CM	52						
		U		REV & REDWN PER EC 0L30-0176-97	8-27-97	TB	RS



1. FITS 1.40 - 1.55 DIAMETER HOLE IN A 1.57 PRINTED CIRCUIT BOARD.
 2. PARTS TO COMPLY WITH AMP SOLDERABILITY SPECIFICATION 109-11-3.
- $\triangle 3$ 0.05 - 0.25 DIAMETER OPENING REQUIRED IN TIP OF PIN.



640394-1
PART NUMBER

MM	IN	MM	IN	MM	IN	MM	IN
0.25	.010	1.47	.058	2.29	.090	-	-
0.13	.005	1.40	.055	1.57	.062	4.06	.160
0.05	.002	1.27	.050	1.55	.061	2.54	.100

CONVERSION TABLE

METRIC

THIS DRAWING IS A CONTROLLED DOCUMENT.		DWN	T. BECK	8-27-97	AMP Incorporated Harrisburg, PA 17105-3608
DIMENSIONS:		CHK	R. SWING	8-27-97	
TOLERANCES UNLESS OTHERWISE SPECIFIED:		APVD	A. BEDDICK	9-10-97	
0 PLC ±- 1 PLC ±- 2 PLC ±0.13 3 PLC ±- 4 PLC ±- ANGLES ±-		PRODUCT SPEC	108-1025		
MATERIAL		FINISH		APPLICATION SPEC	114-1008
0.25 PH BRZ		PRE TIN		WEIGHT	-
CUSTOMER DRAWING		SCALE	15:1	SHEET	1 OF 1

单击下面可查看定价，库存，交付和生命周期等信息

[>>TE Connectivity\(泰科\)](#)