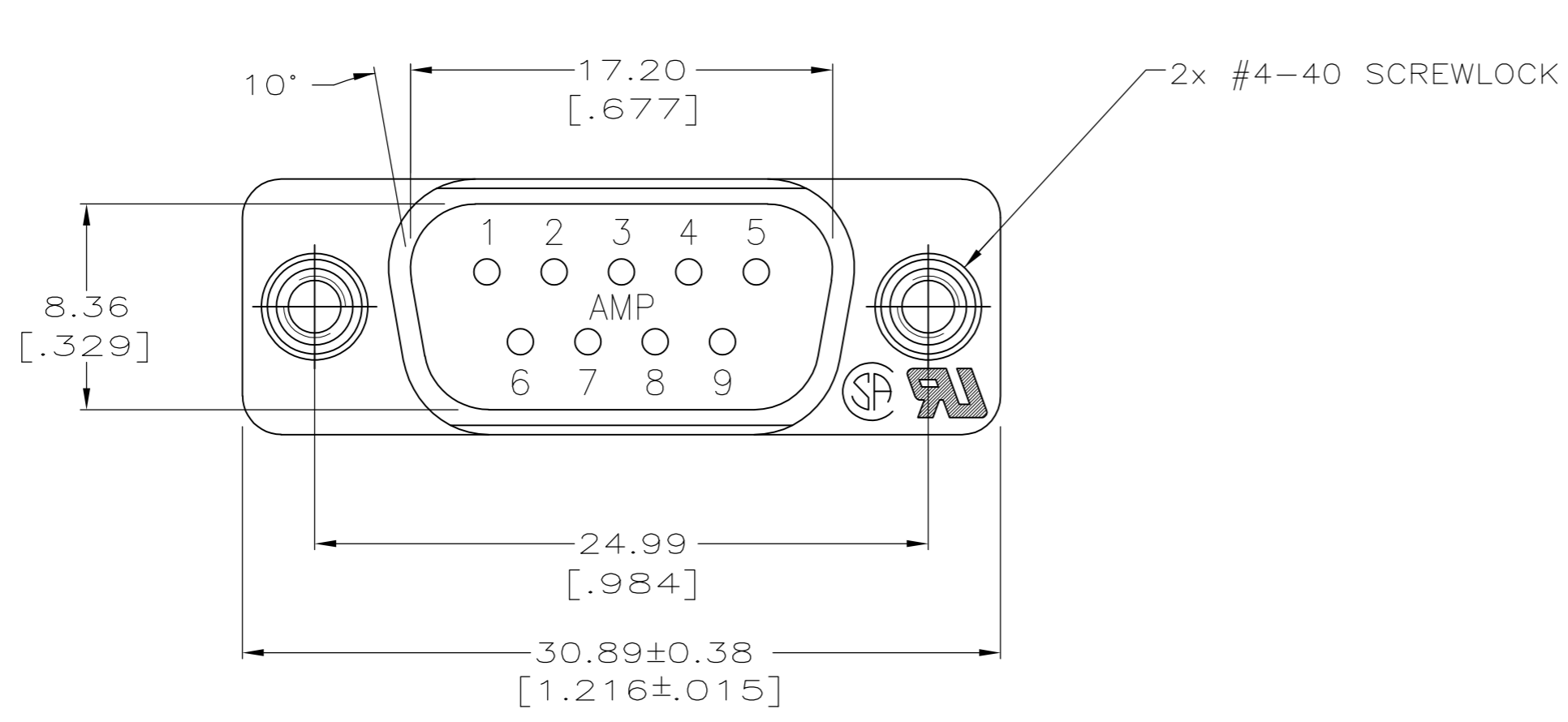
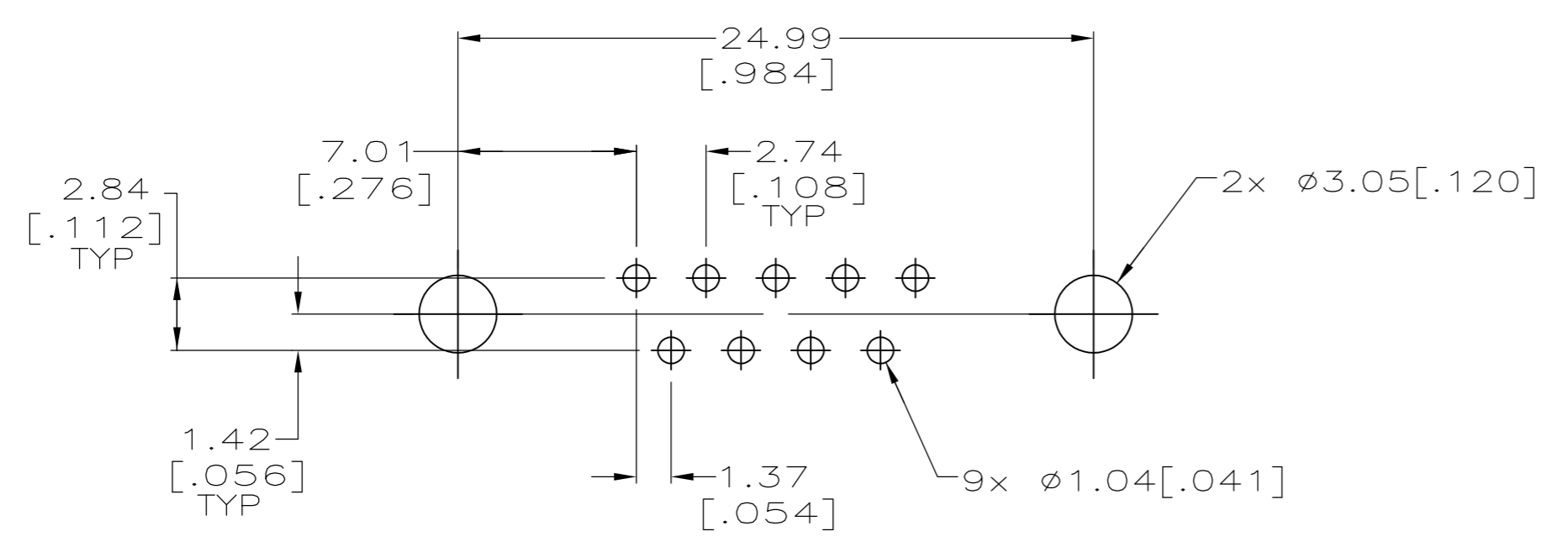
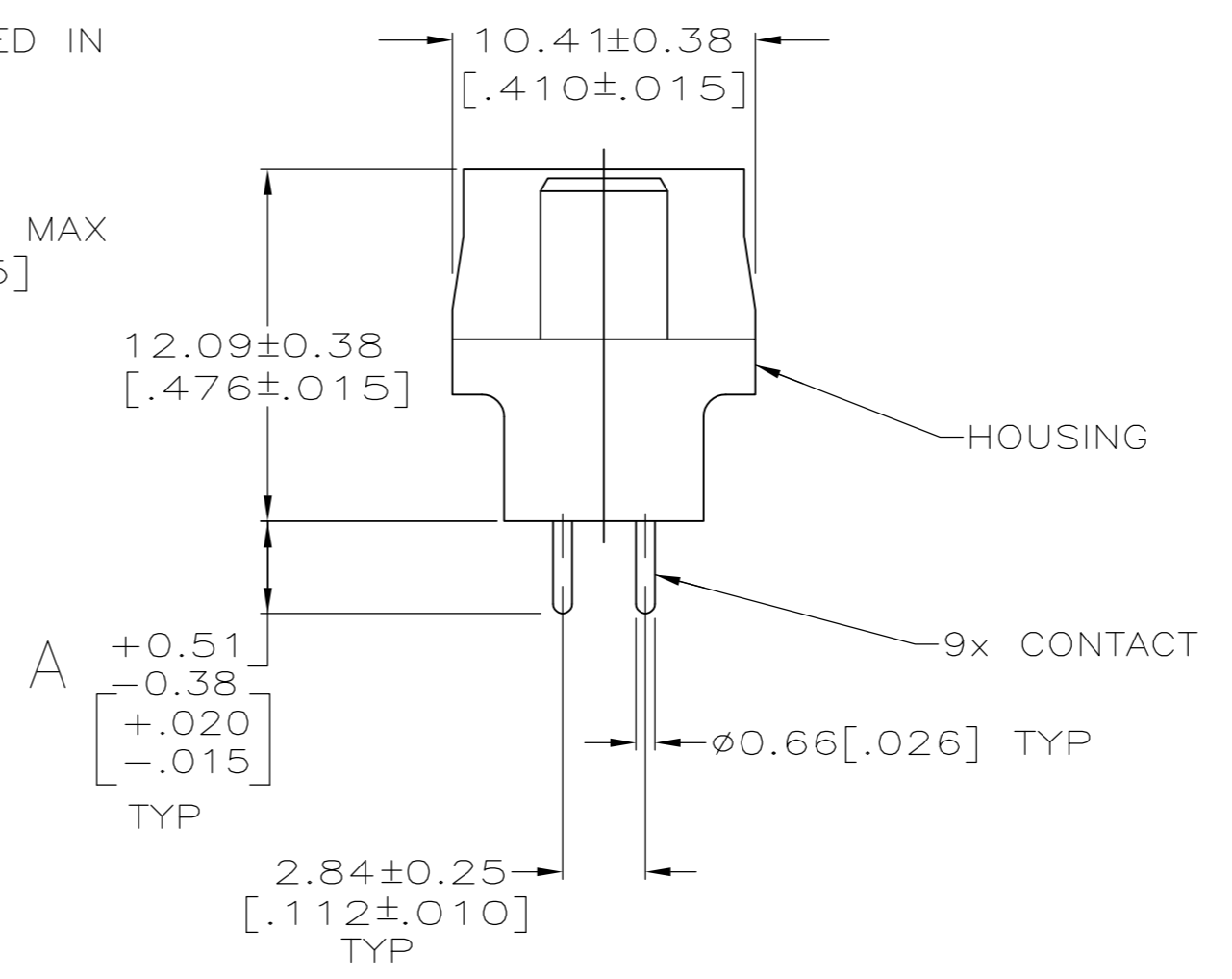
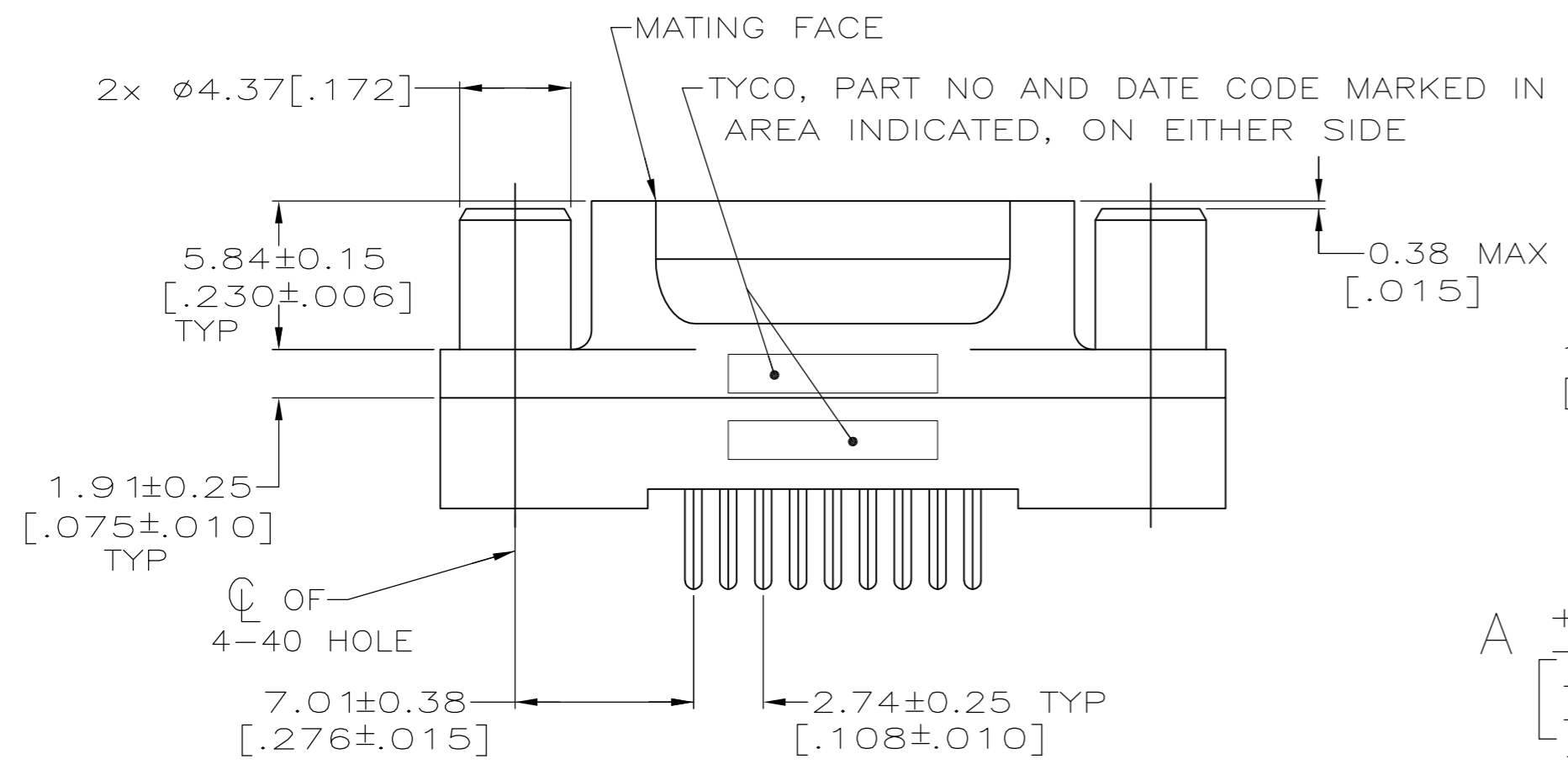


THIS DRAWING IS UNPUBLISHED. RELEASED FOR PUBLICATION
 © COPYRIGHT - By - ALL RIGHTS RESERVED.

| LOC | DIST | REVISIONS | | | |
|-----|------|-------------|---------------------------|---------|--------|
| P | LTR | DESCRIPTION | DATE | DWN | APVD |
| GP | 00 | A1 | REVISED PER ECO-11-004835 | 11MAR11 | RK HMR |



- 1 HOUSING: BLACK POLYESTER, UL 94V-0 RATED; CONTACTS: BRASS
SCREWLOCKS: BRASS.
- 2 CONTACTS: SEE TABLE
SCREWLOCKS: 1.27µm [.000050] MIN NICKEL OVER COPPER FLASH.
- 3 GOLD PLATED FOR A LENGTH OF 3.81 [.150] MIN FROM MATING END, GOLD FLASH IN MATED AREA, 2.54µm [.000100] MIN TIN ON OPPOSITE END, ALL OVER 1.27µm [.000050] MIN NICKEL.
- 4 GOLD PLATED FOR A LENGTH OF 3.81 [.150] MIN FROM MATING END, 0.76µm [.000030] MIN GOLD IN MATED AREA, 2.54µm [.000100] MIN TIN ON OPPOSITE END, ALL OVER 1.27µm [.000050] MIN NICKEL
-OR-
GOLD FLASH OVER PALLADIUM NICKEL PLATED FOR LENGTH OF 3.81 [.150] MIN FROM MATING END, 0.76µm [.000030] MIN PALLADIUM NICKEL IN MATED AREA, 2.54µm [.000100] MIN TIN ON OPPOSITE END, ALL OVER 1.27µm [.000050] MIN NICKEL.



RECOMMENDED PC BOARD MOUNTING DIMENSIONS

**COPYRIGHT 2005
TE CONNECTIVITY CORP
ALL RIGHTS RESERVED**

| | | |
|-------------|----------------|-----------|
| 4.32 [.170] | 4 | 5745071-4 |
| 3.18 [.125] | 4 | 5745071-2 |
| 3.18 [.125] | 3 | 5745071-1 |
| A | CONTACT FINISH | PART NO |

| DIMENSIONS: | | TOLERANCES UNLESS OTHERWISE SPECIFIED: | | MATERIAL | | FINISH | | MATERIAL | | FINISH | |
|-------------|----------|--|-------|---------------|-------|--------|--------|----------|-------|--------|-----|
| mm | [INCHES] | 0 PLC | 1 PLC | 2 PLC | 3 PLC | 4 PLC | ANGLES | WEIGHT | SCALE | SHEET | REV |
| | | ± - | ± - | ± 0.13 [.005] | ± - | ± - | ± 2° | - | 4:1 | 1 of 1 | A1 |

| THIS DRAWING IS A CONTROLLED DOCUMENT. | | TE Connectivity | | | |
|--|---------------------|-----------------|------------------|-----------------------|------------------|
| DWN: G.PETERS | 13SEP05 | | | | |
| CHK: S.BOLASH | 13SEP05 | | | | |
| APVD: M.WALMSLEY | 13SEP05 | | | | |
| PRODUCT SPEC: 108-40025 | APPLICATION SPEC: - | | | | |
| NAME: PLUG ASSEMBLY, SIZE 1, 9 POSN, VERTICAL, AMPLIMITE HD-20 | | SIZE: A2 | CAGE CODE: 00779 | DRAWING NO: C=5745071 | RESTRICTED TO: - |
| CUSTOMER DRAWING | | SCALE: 4:1 | SHEET: 1 of 1 | REV: A1 | |

单击下面可查看定价，库存，交付和生命周期等信息

[>>TE Connectivity\(泰科\)](#)

[>>点击查看相关商品](#)