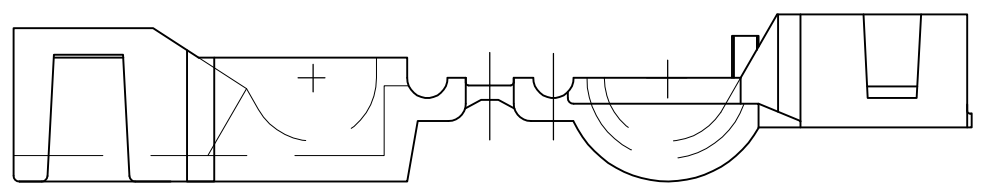
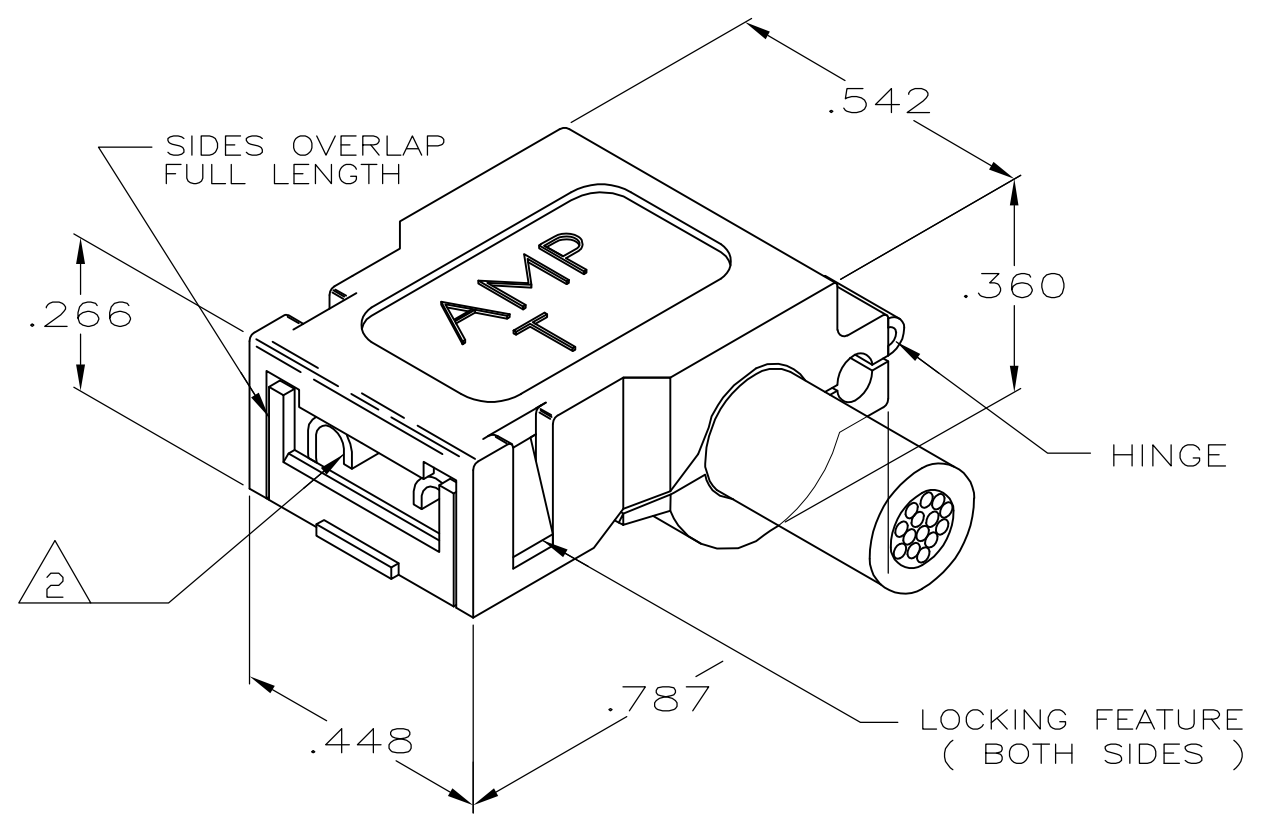
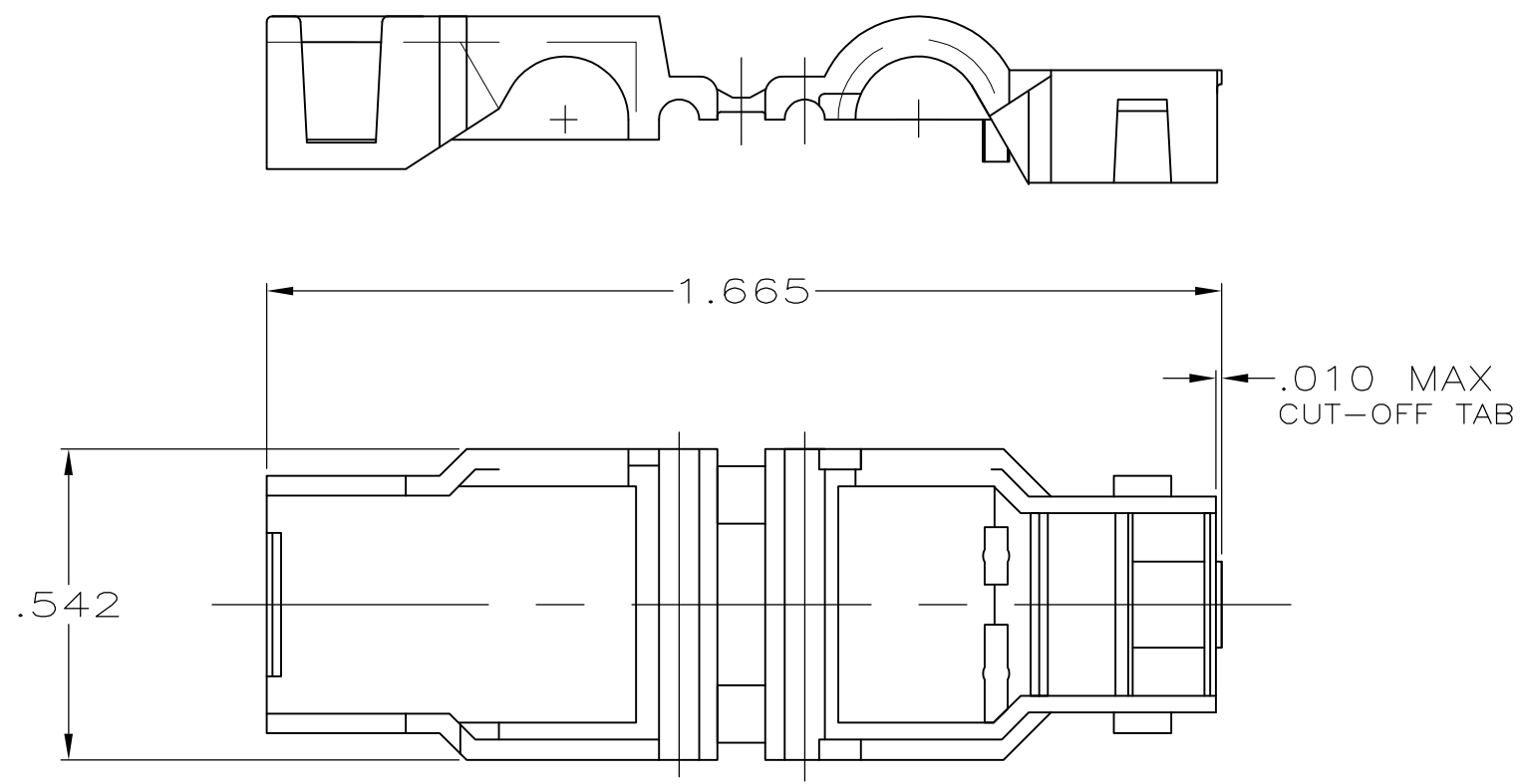


THIS DRAWING IS UNPUBLISHED. RELEASED FOR PUBLICATION
 © COPYRIGHT - By - ALL RIGHTS RESERVED.

LOC	DIST	REVISIONS					
AF	50	P	LTR	DESCRIPTION	DATE	DWN	APVD
			T7	REVISED PER ECO 12-016336	12SEPT12	JR	PD



- 1 SUPPLIED IN LOOSE PIECE.
- 2 THIS PART ACCEPTS .250 SERIES FASTON FLAG RECEPTACLES PART NUMBERS 41531, 41532, 42511, 60641 AND 60645.
- 3 SEE CP-23587 FOR RECOMMENDED TAB DETAILS.
- 4 MAX INSULATION IS .210.

5 GLOW WIRE APPROVED, CONTACT TYCO ELECTRONICS FOR ENGN SPECIFICATIONS, ALL WALL THICKNESSES ARE BETWEEN 0.4mm AND 3.0mm.

150° C	4/6 NYLON - BLACK	1-480307-9
-	5	1-480307-8
120° C	V0, 6/66 NYLON - NATURAL	1-480307-7
150° C	4/6 NYLON - NATURAL	1-480307-6
125° C	6/6 NYLON - NATURAL	1-480307-1
UL TEMP RATING	MATERIAL/COLOR	PART NO.

THIS DRAWING IS A CONTROLLED DOCUMENT.		DWN JR RUTH 1/24/97		STE TE Connectivity	
DIMENSIONS: INCHES		CHK MS FEHER 1/24/97			
TOLERANCES UNLESS OTHERWISE SPECIFIED:		APVD R BEAVER 1/24/97		NAME	
0 PLC ± -		PRODUCT SPEC		INSULATION POD, AMPIP-POST	
1 PLC ± -		APPLICATION SPEC		-	
2 PLC ± -		WEIGHT -		SIZE	CAGE CODE
3 PLC ± .015		CUSTOMER DRAWING		A3	00779
4 PLC ± -		SCALE 4:1		DRAWING NO	C-480307
ANGLES ± -		SHEET 1 OF 1		RESTRICTED TO	-
FINISH		REV T7			
SEE TABLE					

单击下面可查看定价，库存，交付和生命周期等信息

[>>TE Connectivity\(泰科\)](#)