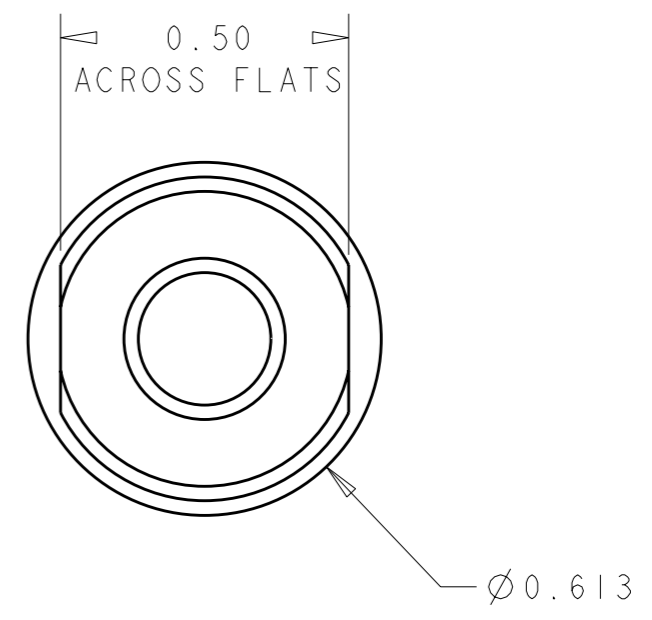
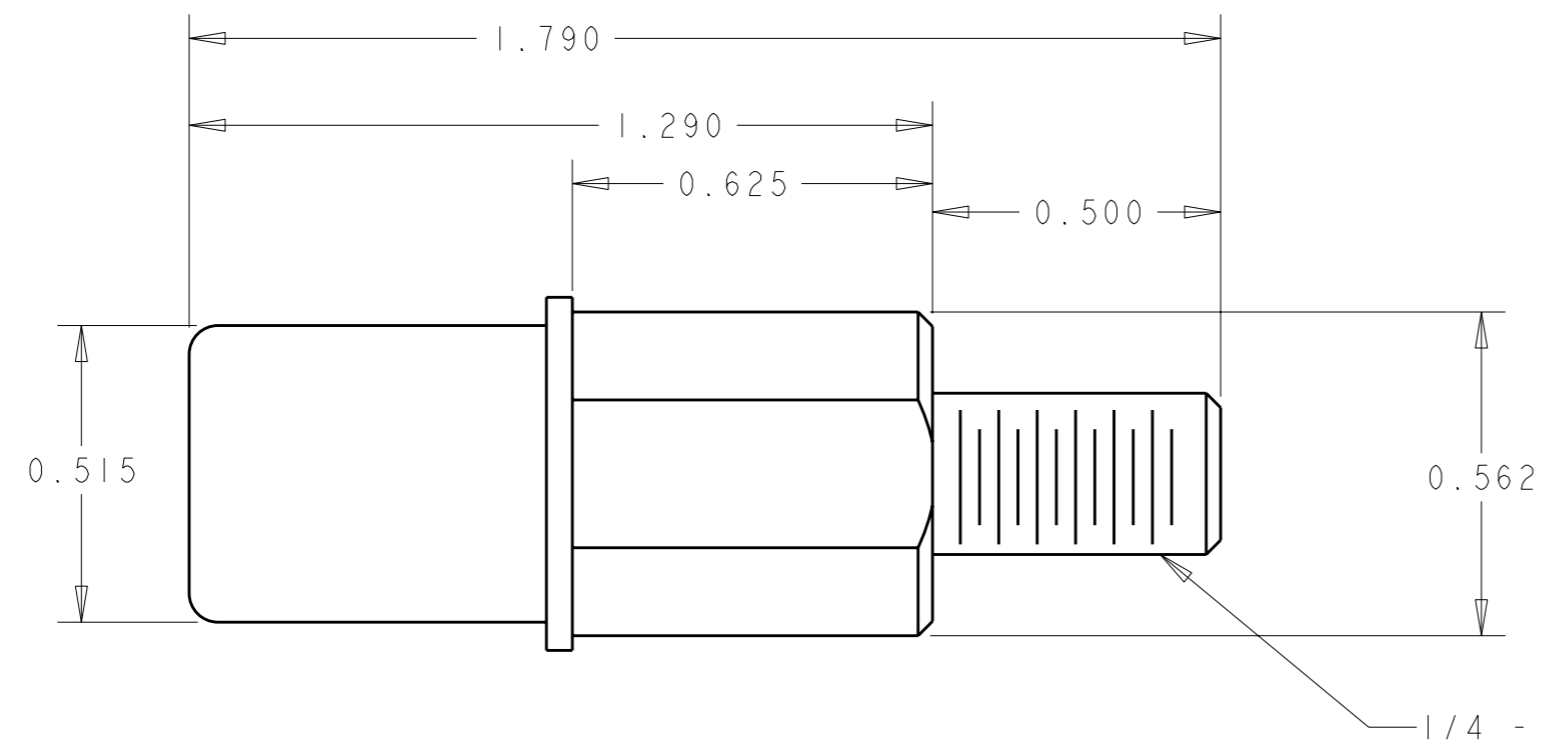


THIS DRAWING IS UNPUBLISHED. RELEASED FOR PUBLICATION 20
 © COPYRIGHT 20 BY TYCO ELECTRONICS CORPORATION. ALL RIGHTS RESERVED.

LOC	DIST	REVISIONS			
P	LTR	DESCRIPTION	DATE	DWN	APVD
-	-	A	NEW RELEASE	24SEP2008	CR PD



1. PART NUMBER CHANGES AND/OR DESIGN CHANGES AFFECTING ITEM INTERCHANGEABILITY REQUIRES PRIOR TYCO ELECTRONICS APPROVAL AND AUTHORIZATION BY REVISION TO THIS DRAWING.

2 MATERIAL:
 BODY: COPPER ALLOY
 CROWN BAND: BERYLLIUM COPPER

3 FINISH:
 BODY: SILVER PLATE .000200 MIN THK. OVER NICKEL
 .000040 MIN THK.
 CROWN BAND: GOLD PLATE .000030 MIN THK. IN CONTACT AREA
 OVER NICKEL .000040 MIN THK.

4. ITEMS PROVIDED TO THIS SPECIFICATION TO BE PERMANENTLY IDENTIFIED ON THE CONTAINER PER THE FOLLOWING IDENTIFIER:

TYCO ELECTRONICS P/N: XXXXXXXX-X
 DATE CODE (e.g. 0216): YEAR WEEK
 XXXX

AS SHOWN	6648417-1
DESCRIPTION	PART NUMBER

THIS DRAWING IS A CONTROLLED DOCUMENT FOR TYCO ELECTRONICS CORPORATION IT IS SUBJECT TO CHANGE AND THE CONTROLLING ENGINEERING ORGANIZATION SHOULD BE CONTACTED FOR THE LATEST REVISION.		DWN C. ROHLER 24SEP2008	Tyco Electronics Harrisburg, PA 17105-3608	
DIMENSIONS: INCHES		CHK D. ORRIS 24SEP2008	NAME CONTACT, SOCKET, SIZE #0 1/4-20 EXT THD, SINGLE CROWN DRAWER	
TOLERANCES UNLESS OTHERWISE SPECIFIED: 0 PLC ±- 1 PLC ±- 2 PLC ±.02 3 PLC ±.010 4 PLC ±- ANGLES ±-		APVD M. PERCHERKE 24SEP2008	RESTRICTED TO	
MATERIAL 2	FINISH 3	PRODUCT SPEC -	SIZE A3	CAGE CODE 00779
CUSTOMER DRAWING		APPLICATION SPEC -	DRAWING NO C-6648417	SCALE 3:1
		WEIGHT -	SHEET 1 OF 1 REV A	

单击下面可查看定价，库存，交付和生命周期等信息

[>>TE Connectivity\(泰科\)](#)