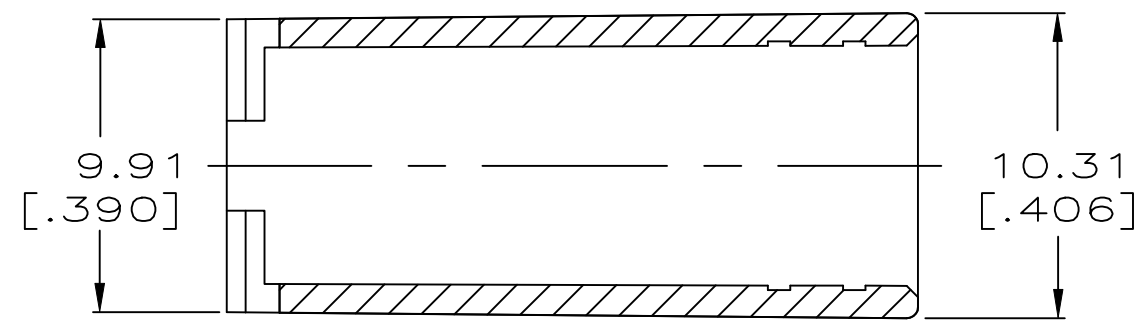


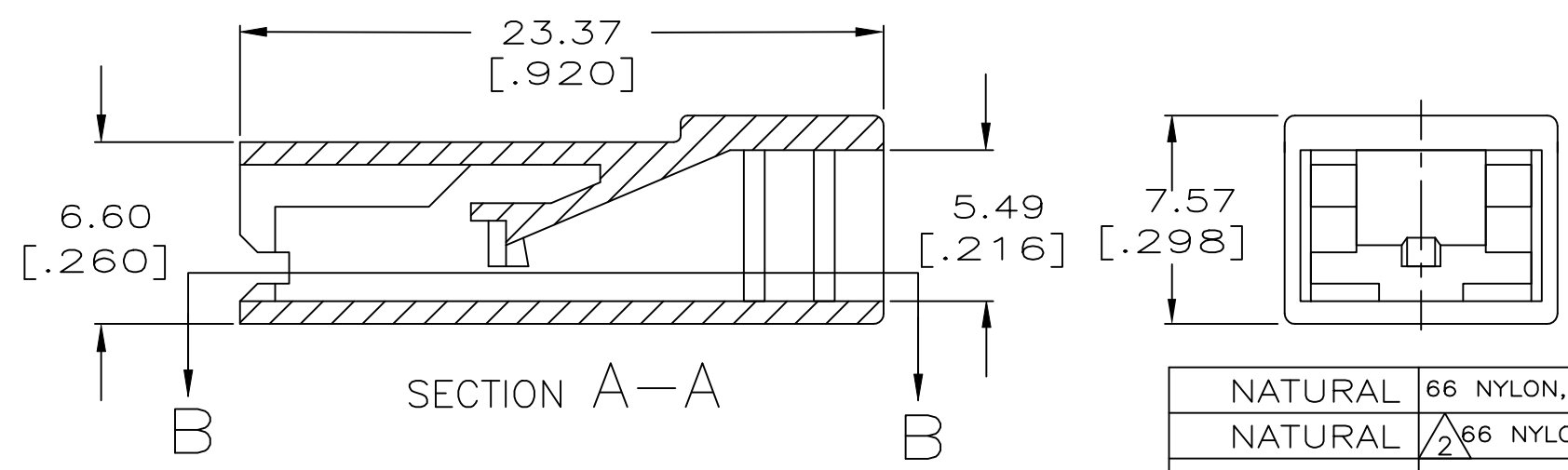
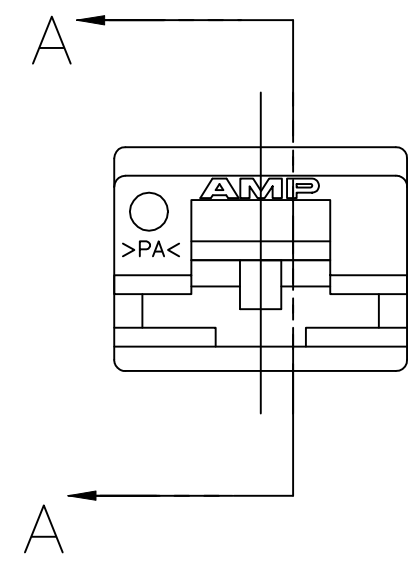
THIS DRAWING IS UNPUBLISHED. RELEASED FOR PUBLICATION  
 © COPYRIGHT - By - ALL RIGHTS RESERVED.

REVISIONS				
P	LTR	DESCRIPTION	DATE	APVD
	AC12	REVISED PER ECR-19-004061	14MAR2019	BH E.W



SECTION B-B

- 1 SPECIAL PACKAGING QUANTITIES.
- 2 POLYAMIDE ACCORDING TO IEC 60335-1, GLOW WIRE.
- 3 PRELIMINARY - NOT FOR PRODUCTION
- 5 CONTACT PRODUCT ENGINEERING FOR TERMINAL RECOMMENDATIONS WHEN USING THIS INSULATOR WITH 10 AWG WIRE



SECTION A-A

SUPERSEDED BY 2-480416-5  
 SUPERSEDED BY 1-480416-0  
 OBSOLETE  
 SUPERSEDED BY 1-480416-0

FINISH	MATERIAL	PART NO
NATURAL	66 NYLON, UL94 V0 150C	2-480416-4
NATURAL	66 NYLON, UL94 V0	2-480416-3
NATURAL	UL94 V2	2-480416-2
NATURAL	6/6 NYLON	2-480416-1
NATURAL	UL94 5VA RATED	2-480416-0
NATURAL	4/6 NYLON UL 150	1-480416-8
NATURAL	66 NYLON, V0	1-480416-7
NATURAL	POLYESTER	1-480416-6
RED	6/6 NYLON	1-480416-4
BLUE		1-480416-3
BLACK		1-480416-1
NATURAL		1-480416-0

2	NATURAL	66 UL NYLON V0 NATURAL	2-480416-5
	BLACK	66/6 V0 BLACK	480416-2
	NATURAL	66/6 V0 NATURAL	480416-1
	FINISH	MATERIAL	PART NO

THIS DRAWING IS A CONTROLLED DOCUMENT.

DIMENSIONS: mm [INCHES]	TOLERANCES UNLESS OTHERWISE SPECIFIED: 0 PLC ± - 1 PLC ± - 2 PLC ± 0.38 [.015] 3 PLC ± - 4 PLC ± - ANGLES ± -	DWN JR RUTH 2/4/91	TE Connectivity NAME HOUSING, RECEPTACLE, FASTON, 6.35 [.250] SERIES
	MATERIAL SEE TABLE	CHK P FORTNEY 2/4/91	
		APVD C MEYERS 2/4/91	
FINISH SEE TABLE		PRODUCT SPEC APPLICATION SPEC WEIGHT	

CUSTOMER DRAWING SCALE 4:1 SHEET 1 of 1 REV AC12

单击下面可查看定价，库存，交付和生命周期等信息

[>>TE Connectivity\(泰科\)](#)