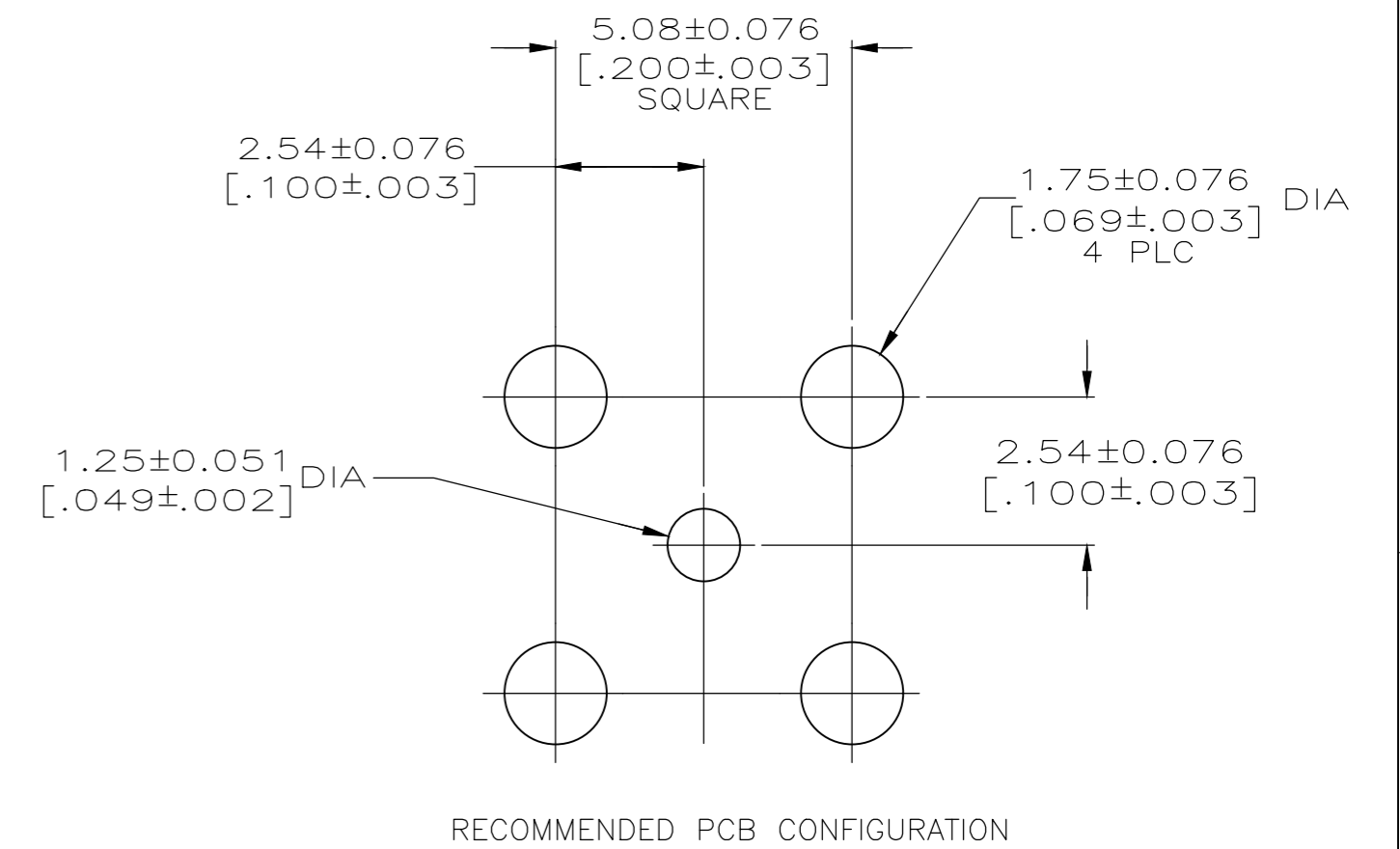
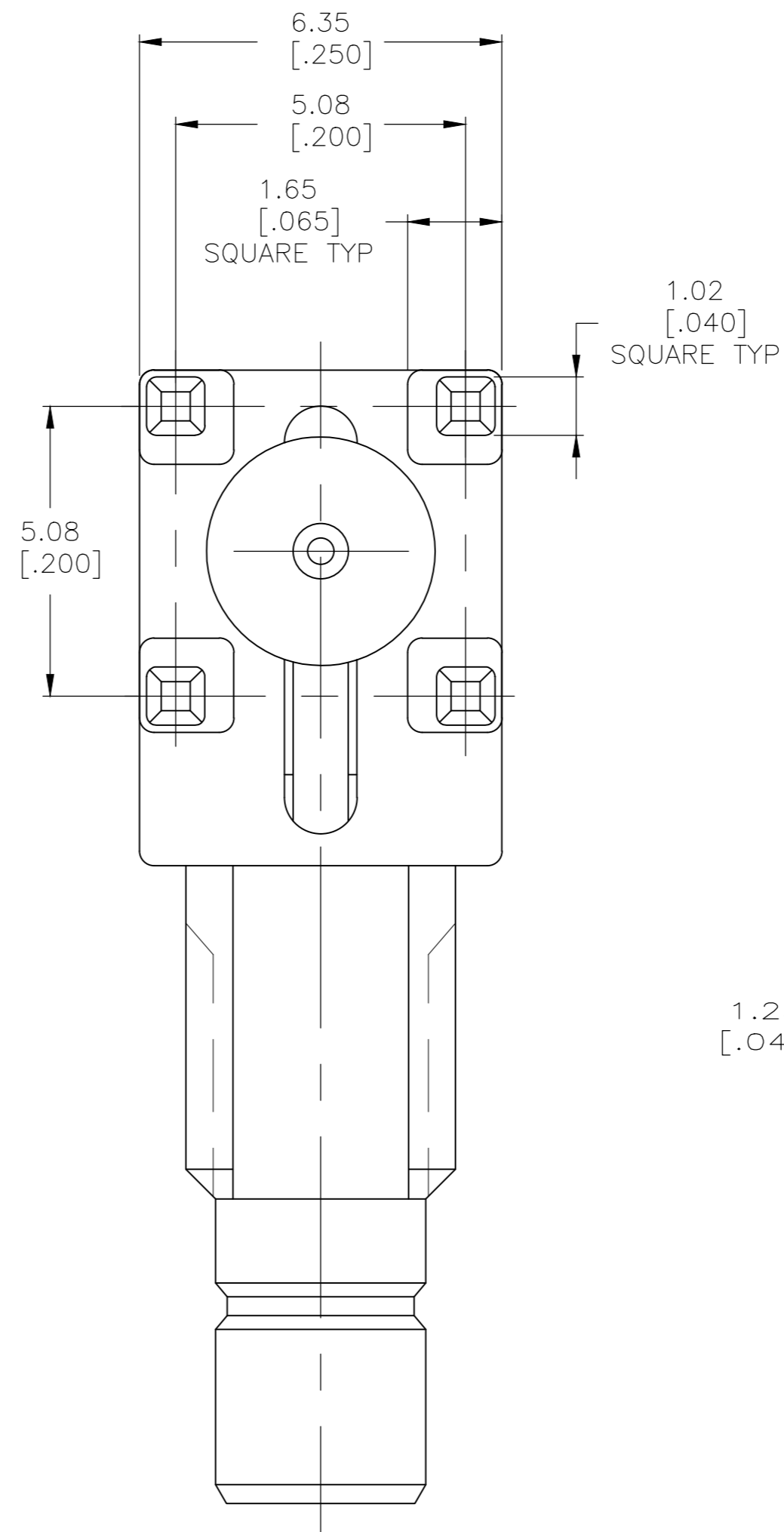
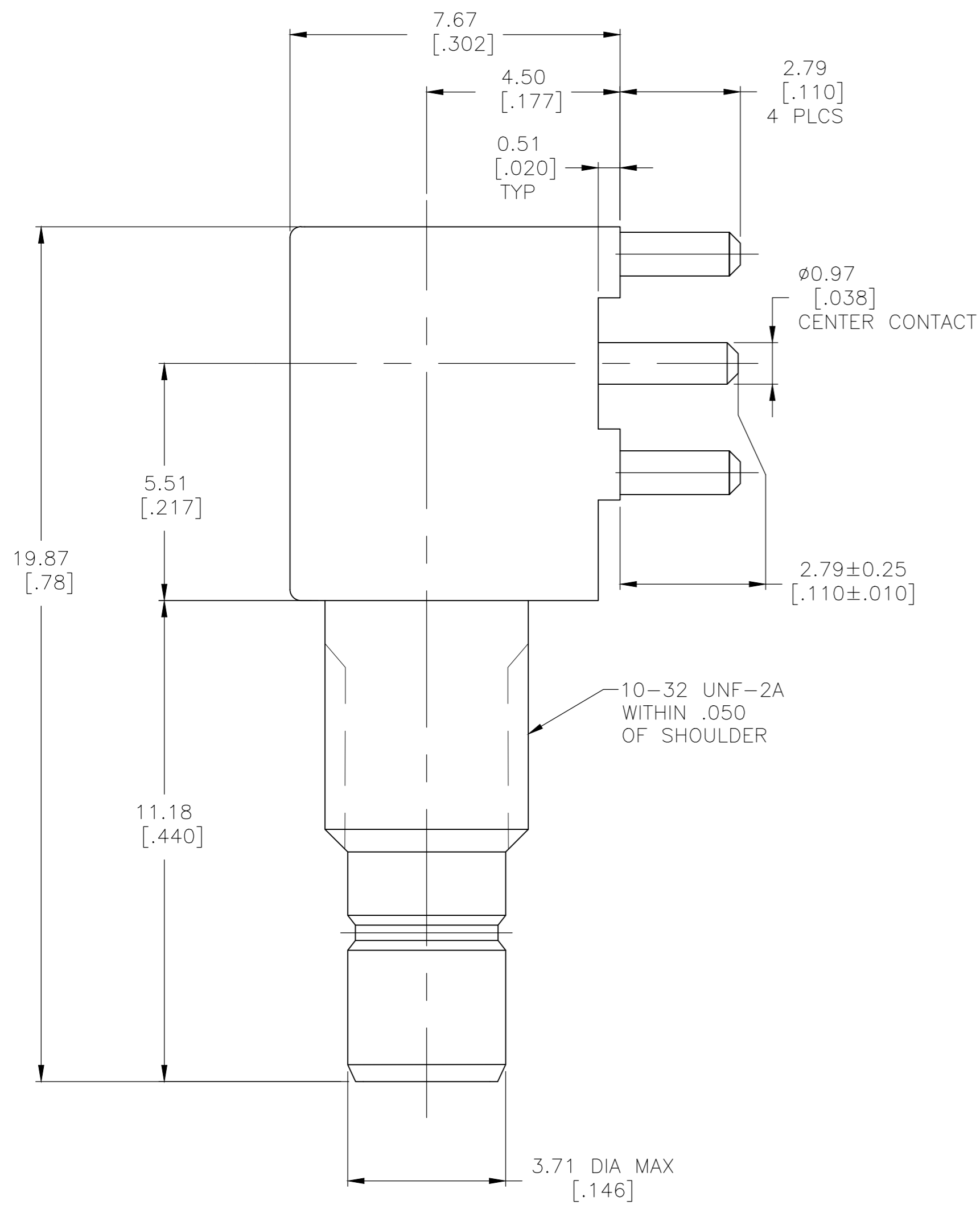


REVISIONS					
P	LTR	DESCRIPTION	DATE	DWN	APVD
B3		REVISED PER ECO-20-017180	07DEC2020	RZ	RS



1. REFERENCE HEWLETT PACKARD PART NUMBER 1250-1512.

QTY	PER ASSY	DESCRIPTION	MATERIAL	ITEM	
1	1	Au30u"	BRASS	CAP	4
1	-	Au8u"	ZINC ALLOY	SHELL	3
-	1	Au30u"	ZINC ALLOY	SHELL	3
1	1	-	PTFE	INSULATION	2
1	-	Au15u"	BRASS	CENTER CONTACT	1
-	1	Au50u"	BRASS	CENTER CONTACT	1
-3	-1	PLATING	MATERIAL	DESCRIPTION	ITEM

THIS DRAWING IS A CONTROLLED DOCUMENT.		DWN S. BURKHOLDER 06/FEB/96	 TE Connectivity	
DIMENSIONS: mm		CHK J. CABARLO 3-26-96		
TOLERANCES UNLESS OTHERWISE SPECIFIED:		APVD J. CABARLO 3-26-96	NAME PCB JACK, RIGHT ANGLE, SMB	
0 PLC ± - 1 PLC ± - 2 PLC ± 0.13 [.005] 3 PLC ± - 4 PLC ± - ANGLES ± 4°		PRODUCT SPEC -	SIZE A2	
MATERIAL △		FINISH △	CAGE CODE 00779	DRAWING NO C=414963
		WEIGHT 0.000000	RESTRICTED TO -	
		CUSTOMER DRAWING	SCALE 10:1	SHEET 1 of 1
			REV B3	

单击下面可查看定价，库存，交付和生命周期等信息

[>>TE Connectivity\(泰科\)](#)