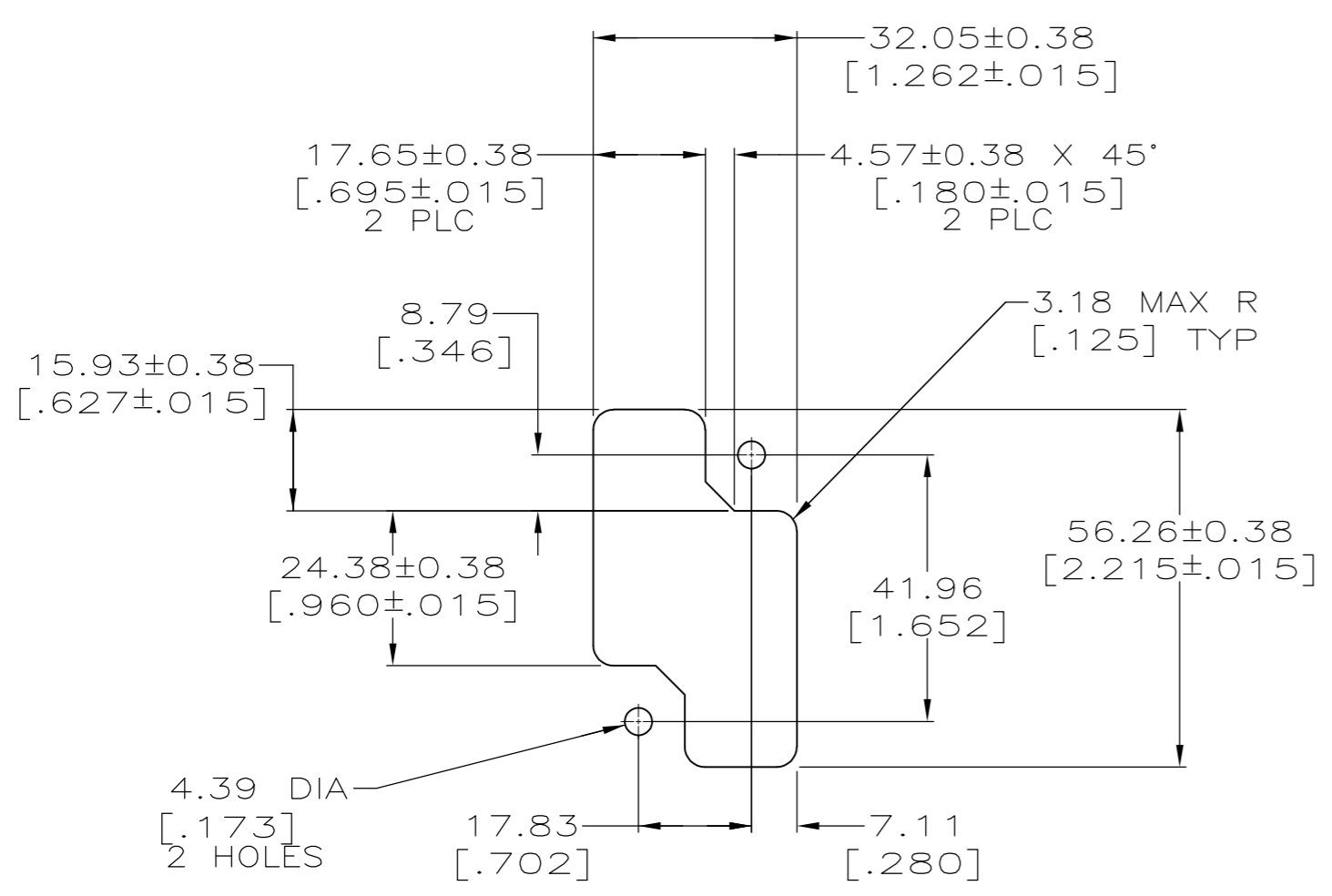
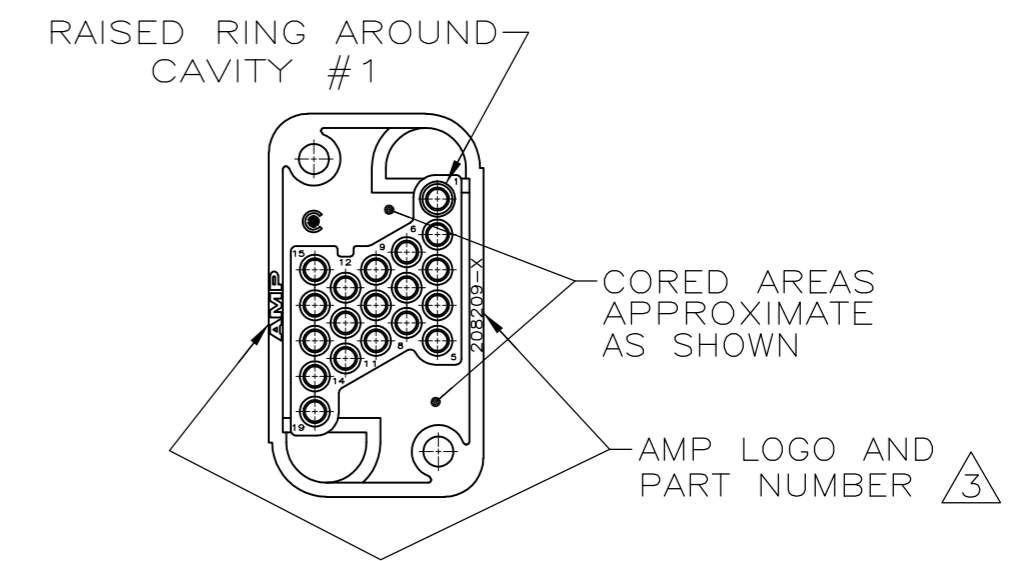
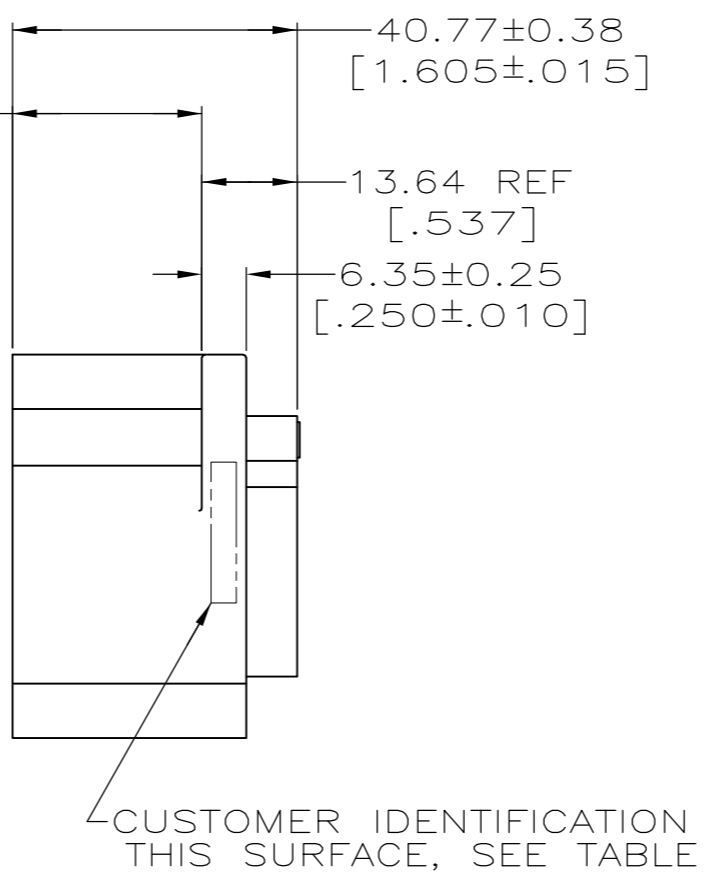
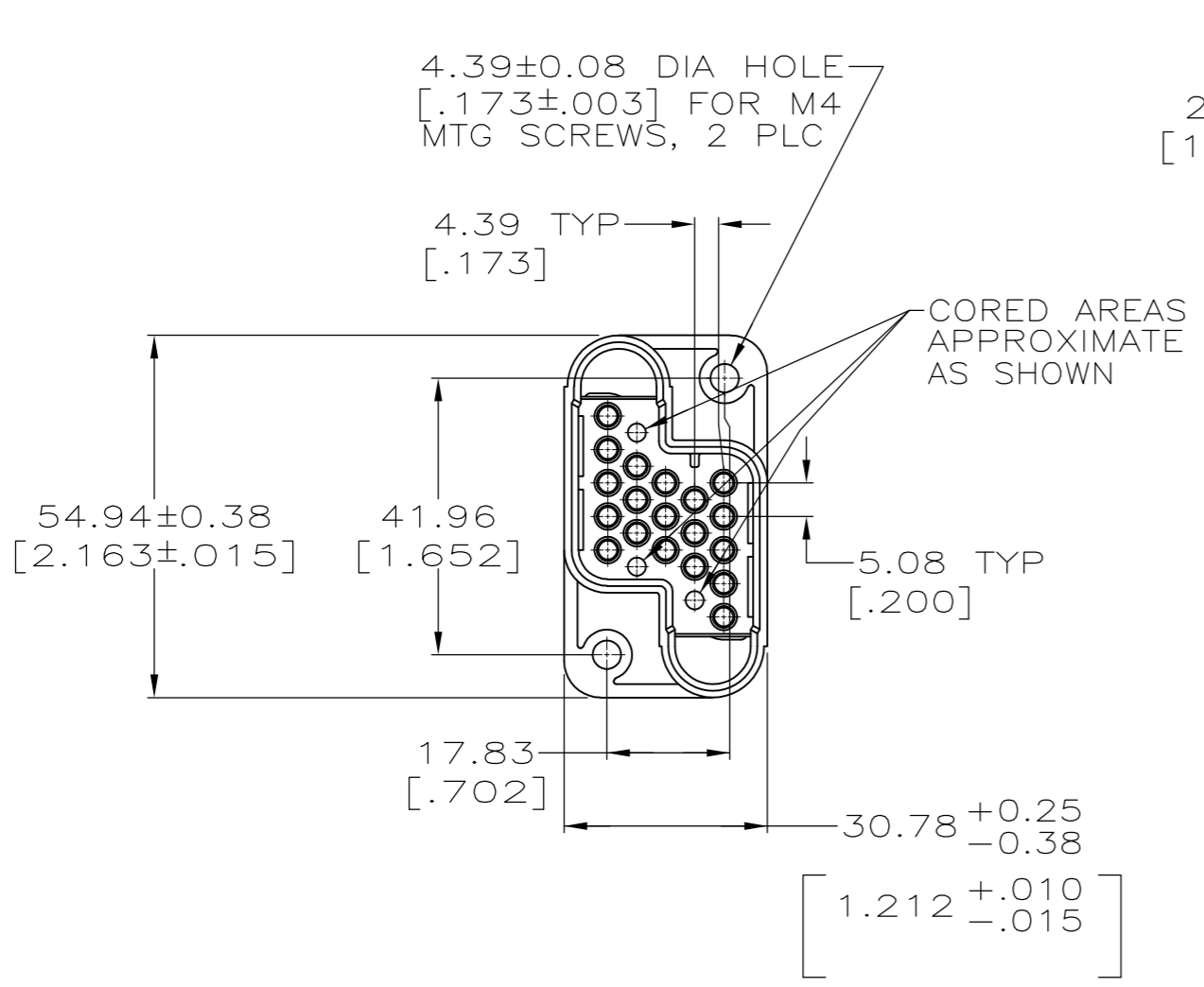


LOC	DIST	REVISIONS			
P	LTR	DESCRIPTION	DATE	OWN	APVD
BD	37	L1	REVISED PER ECO-11-004917	11MAR11	RK HMR



- 208209 MATES WITH 208210.
 - CAVITIES 1 & 19 SHOULD NOT BE USED WITH GROUND PIN.
- $\triangle 3$ ALL DASH NUMBERS WILL HAVE 208209-2 MOLD ON THE HOUSING.

SUGGESTED
 PANEL CUTOUT

CUST IDENT	MATERIAL	PART NO
-	POLYESTER, BLUE	208209-5
-	POLYESTER, BLACK	208209-2
113P10187	POLYESTER, BLACK	208209-1

THIS DRAWING IS A CONTROLLED DOCUMENT.		DWN R.SHIREY 9-9-91	STE TE Connectivity	
		CHK R.STONE 9-23-91		
DIMENSIONS: MM[INCHES]	TOLERANCES UNLESS OTHERWISE SPECIFIED:	APVD A.TRAVIS 9-23-91	NAME PIN HOUSING, 19 POSN, METRIMATE	
	0 PLC ± - 1 PLC ± - 2 PLC ± 0.13 [.005] 3 PLC ± - 4 PLC ± - ANGLES ± ± 1°	PRODUCT SPEC -	APPLICATION SPEC 114-10039	
MATERIAL SEE TABLE	FINISH -	WEIGHT -	SIZE A2	CAGE CODE 00779
CUSTOMER DRAWING			DRAWING NO G-208209	RESTRICTED TO -
			SCALE 1:1	SHEET 1 of 1
			REV L1	

单击下面可查看定价，库存，交付和生命周期等信息

[>>TE Connectivity\(泰科\)](#)