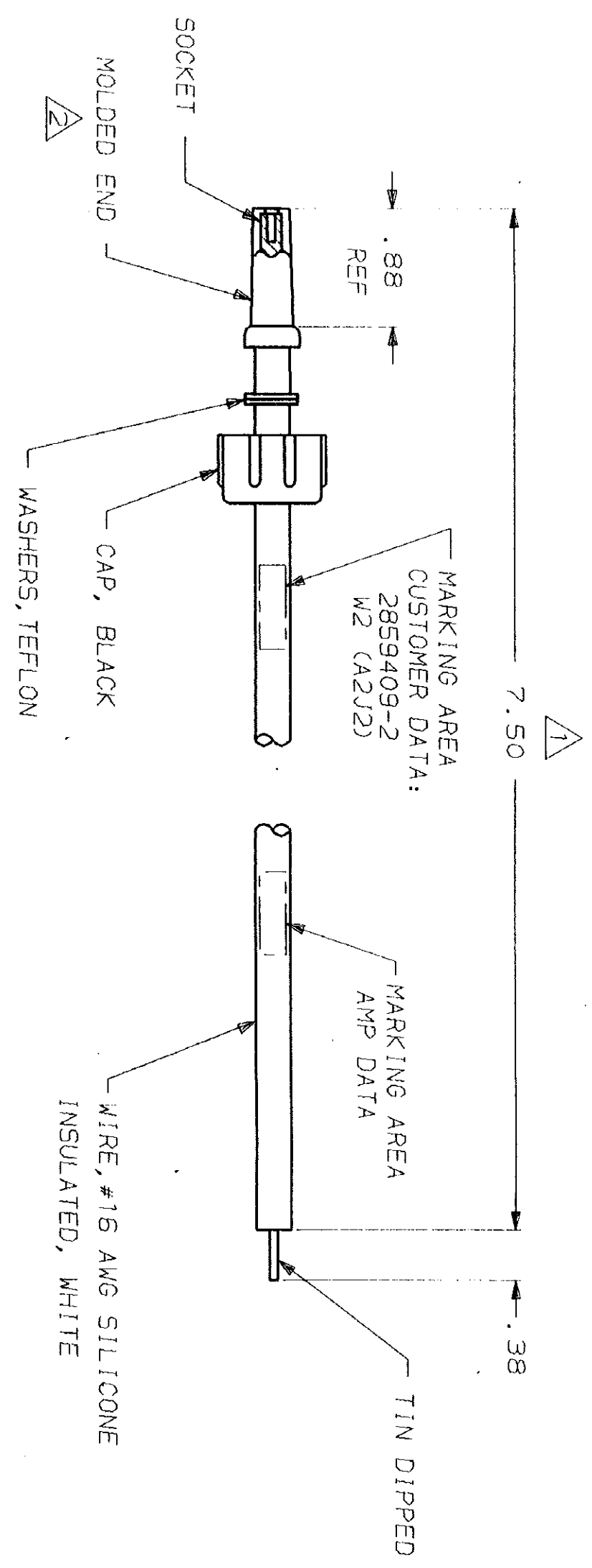


DRAWING MADE IN THIRD ANGLE PROJECTION
 THIS DRAWING IS UNPUBLISHED. RELEASED FOR PUBLICATION
 © COPYRIGHT 19 BY AMP INCORPORATED, HARRISBURG, PA. ALL INTERNATIONAL RIGHTS RESERVED. AMP PRODUCTS MAY BE COVERED BY U.S. AND FOREIGN PATENTS AND/OR PATENTS PENDING.

LOC		DIST		REVISONS		DATE	APPROVED
L	P	F	ZONE	LTR	DESCRIPTION		
						3-20-86	MFB
				0	RLSE NPR 1684		



- 1 TOLERANCE: 0 TO 24" = ±.12, 24" & UP = ± 1%.
- 2 TO MATE WITH RECEPTACLE PART NO 868754-1.
- 3. MARKED PER MIL-STD-130.
- 4. OPERATING VOLTAGE: 30KVDC, AT SEA LEVEL.
- 5. HIPOT: 45 KVDC, SEA LEVEL, 3 MINUTES; 100%.

UNLESS OTHERWISE SPECIFIED DIMENSIONS ARE IN INCHES TOLERANCES ON:		DR	R.N.	3-19-86	AMP INCORPORATED HARRISBURG, Pa. 17105	
2 PL DEC ± .02	3 PL DEC ± .02	CHK			NAME	LEAD ASSY, LGH-1
ANGLES ±		APPD	M. J. M...	3-20-86	SIZE	FSCM NO 00779
		PRODUCT SPEC			SCALE	NTS
		APPLICATION SPEC			DRAWING NO	868755
		WEIGHT			SHEET	1 OF 1
					PART NO	868755-1

CUSTOMER DRAWING

单击下面可查看定价，库存，交付和生命周期等信息

[>>TE Connectivity\(泰科\)](#)