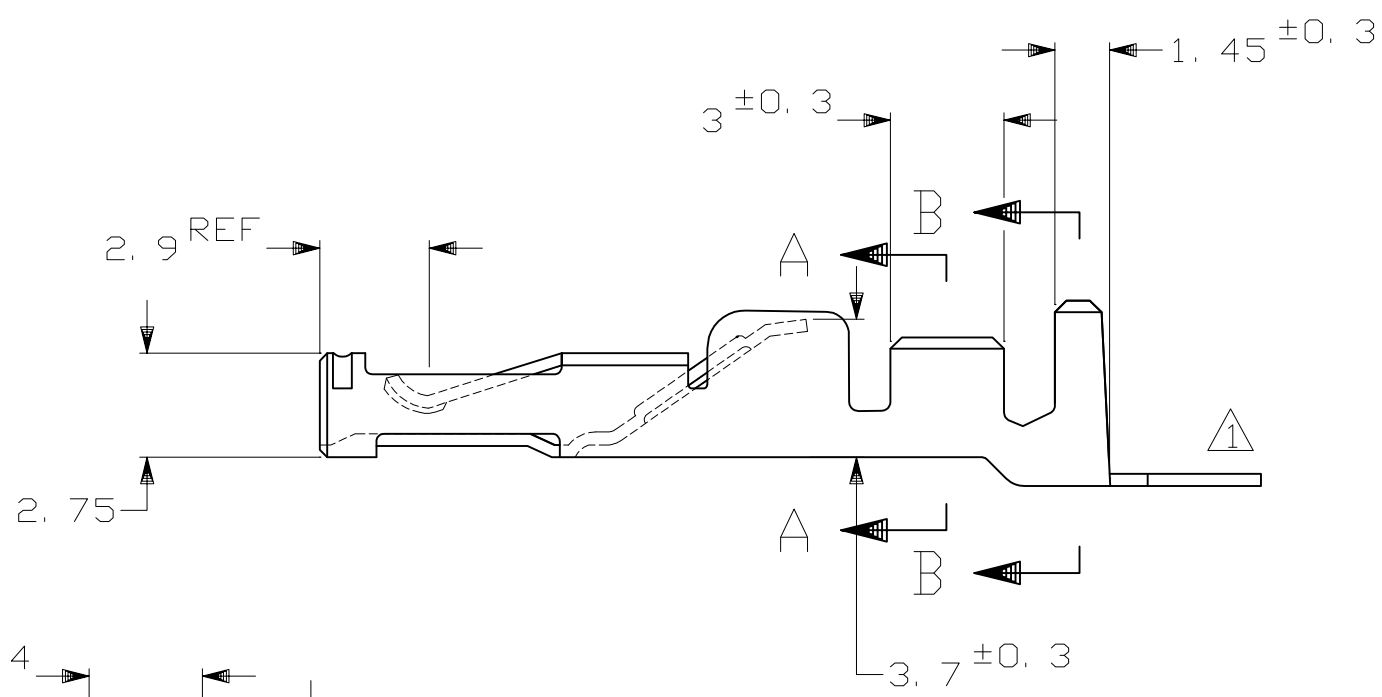
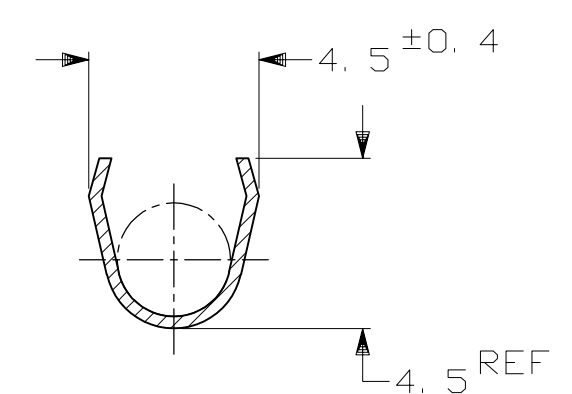
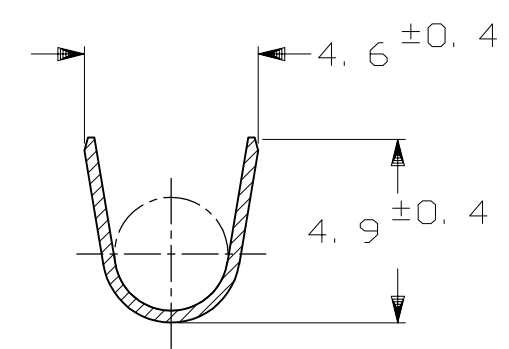
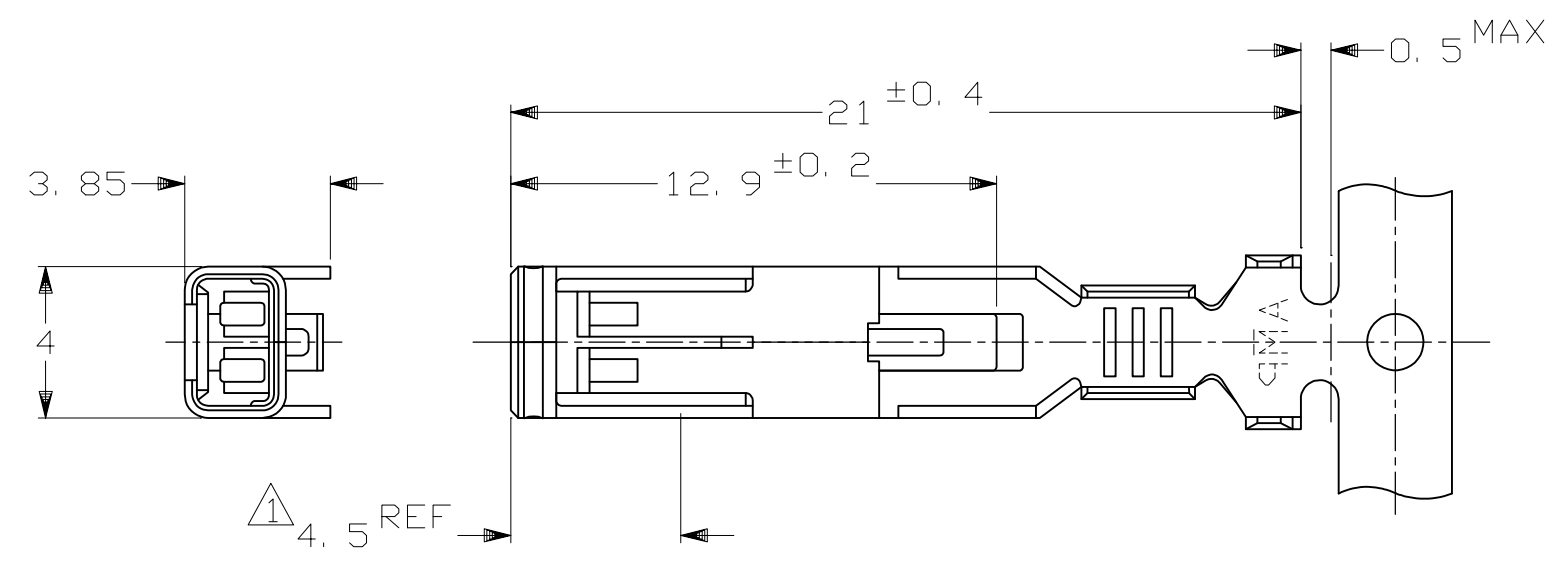
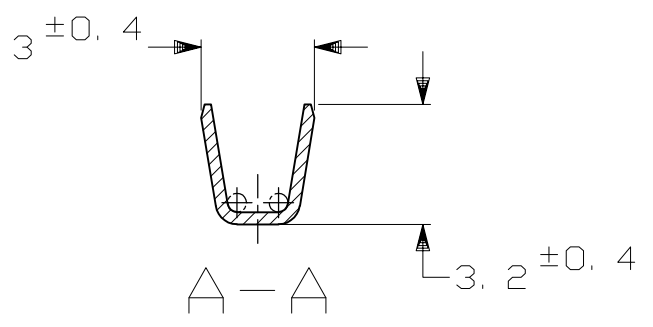


THIS DRAWING IS UNPUBLISHED. RELEASED FOR PUBLICATION
 © COPYRIGHT - By - ALL RIGHTS RESERVED.

LOC	DIST	REVISIONS		
		P	LTR	DESCRIPTION
J	-	E3	REVISED PER ECO-11-005140	DATE: 28MAR11 DWN: RK APVD: HMR



- 1. HOUSING PART NUMBER: 171358, 171892 etc.
 - 2. THE MATING TAB CONTACTS PART NUMBER: 170221, 170308 etc.
 - 3. REVERSE REEL PART NUMBER FOR 170286-1: 1-170286-1
 - 4. DIFFERENT PLATING THICKNESS PRODUCT FROM 170286-2.
- 1. 使用ハウジング型番: 171358, 171892 他。
 - 2. 嵌合タブコンタクト型番: 170221, 170308 他。
 - 3. 170286-1の逆巻き型番: 1-170286-1
 - 4. 170286-2のめっき厚違い品。



170289-3	SELECTIVE GOLD PL	PH BRZ TEMP#4	170286-4
170289-2	SELECTIVE GOLD PL	PH BRZ TEMP#4	170286-2
170289-1	PRE-TINNED	PH BRZ TEMP#4	170286-1
LOOSE PIECE No.	FINISH	MATERIAL	PART NUMBER

TOLERANCE UNLESS OTHERWISE SPECIFIED

一般公差	
10 ≥	: ±0.2
30 ≥ > 10	: ±0.25
100 ≥ > 30	: ±0.3
ANGLE	: ±0.3°

WIRE RANGE

AWG NO. #20~#14
(0.5~2mm² SQ)

INSUL RANGE

2.2~3.4 DIA

THIS DRAWING IS A CONTROLLED DOCUMENT.

DIMENSIONS: 単位: 耗 mm	TOLERANCES UNLESS OTHERWISE SPECIFIED: 一般公差
MATERIAL 材料	FINISH 仕上
SEE TABLE	SEE TABLE

DWN T.SHINOHARA 19NOV07	 TE Connectivity	MULTI INTER LOCK CONNECTOR RECEPTACLE
CHK K.BETSUI 19NOV07		
APVD K.BETSUI 19NOV07		
PRODUCT SPEC 製品規格 108-5093, 108-5099		
APPLICATION SPEC 取付適用規格 114-5004	NAME 名称	RESTRICTED TO
WEIGHT 0.6 g	SIZE A3	CAGE CODE 00779
CUSTOMER DRAWING	DRAWING NO 番号 C-170286	SCALE 尺度 5:1
		SHEET 1 OF 1
		REV E3

单击下面可查看定价，库存，交付和生命周期等信息

[>>TE Connectivity\(泰科\)](#)