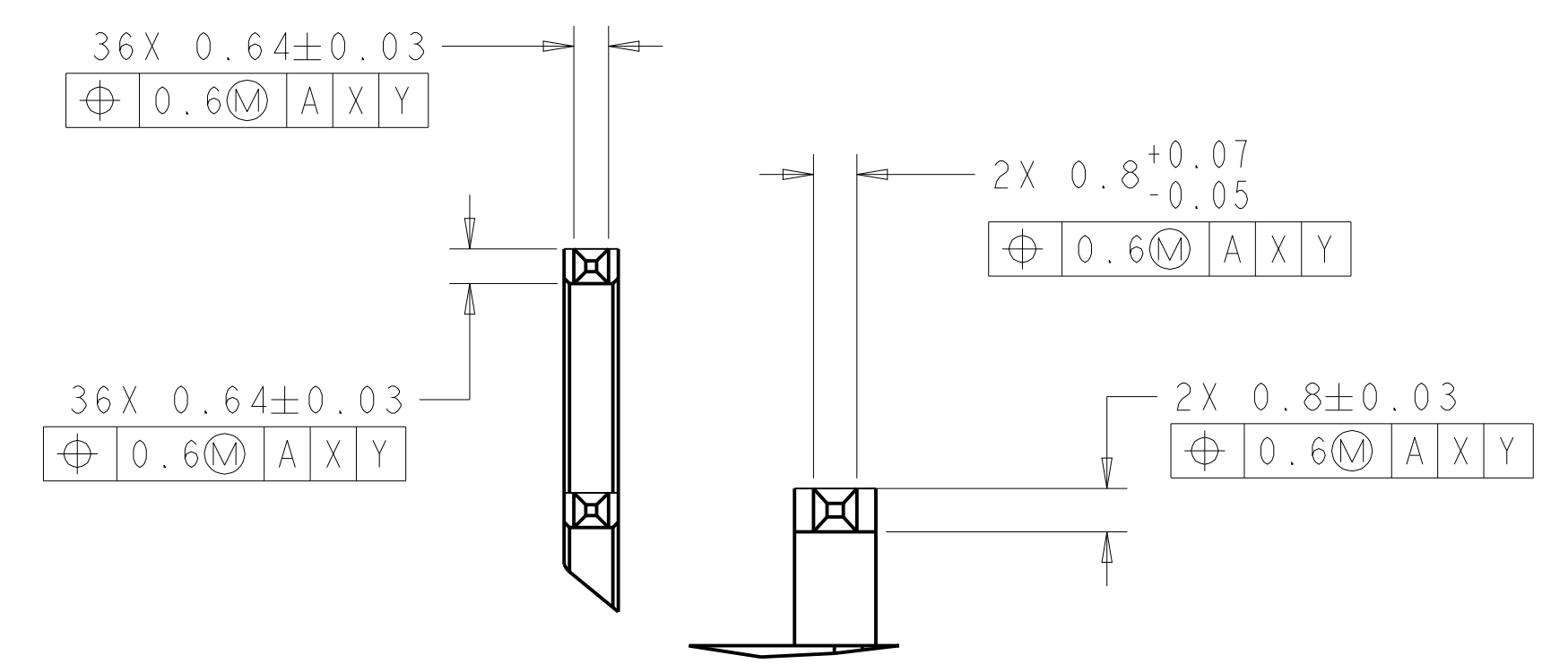
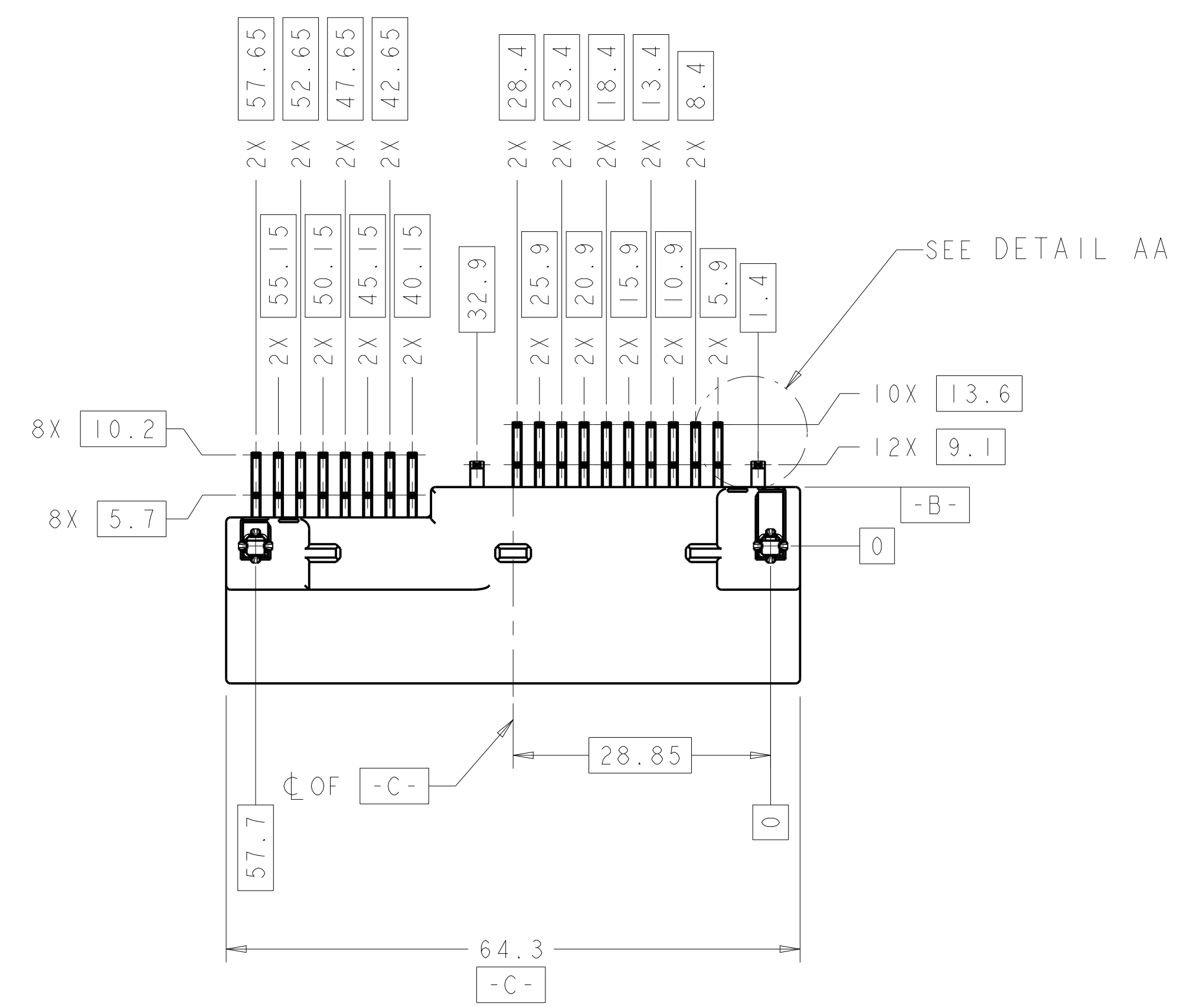
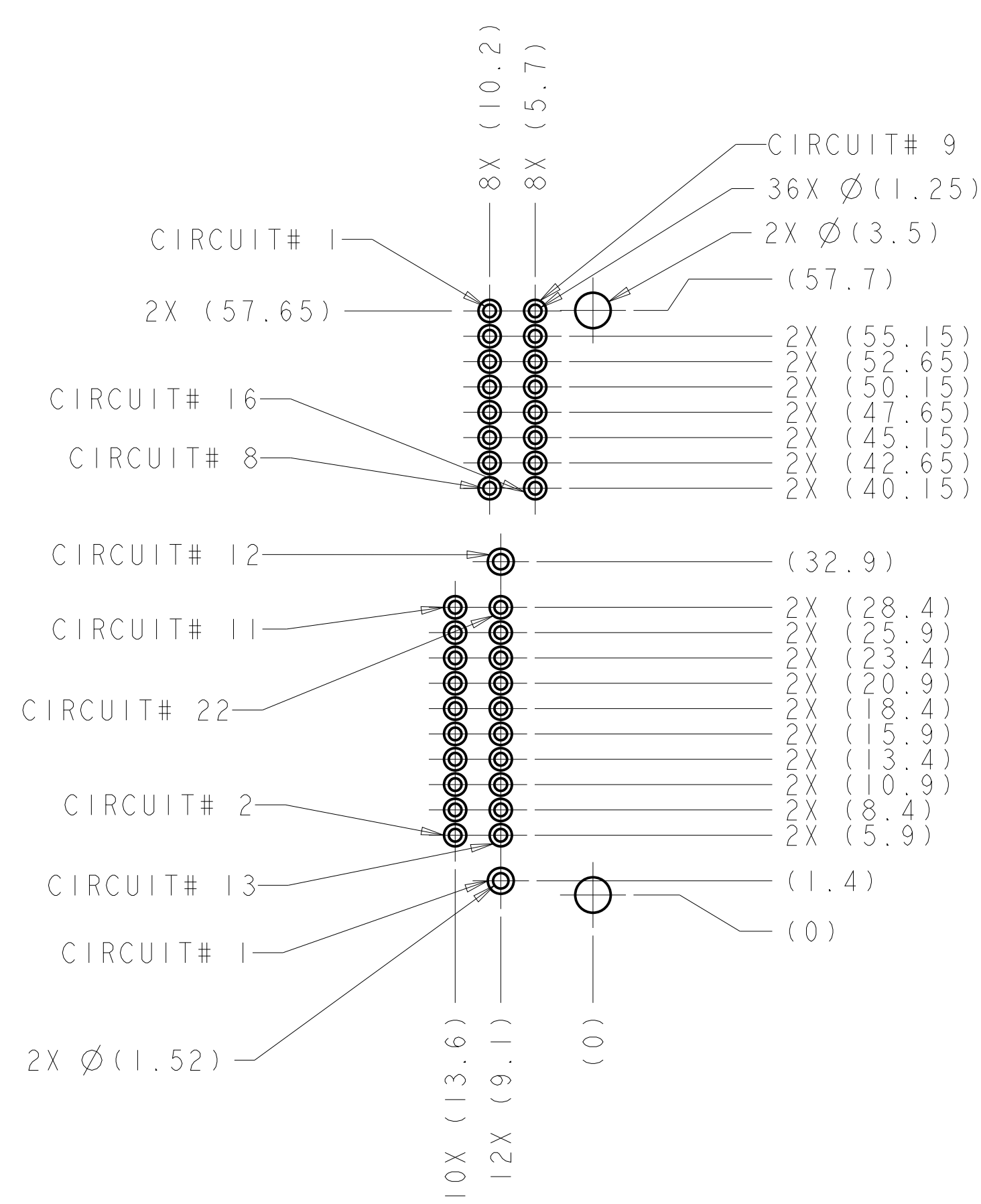
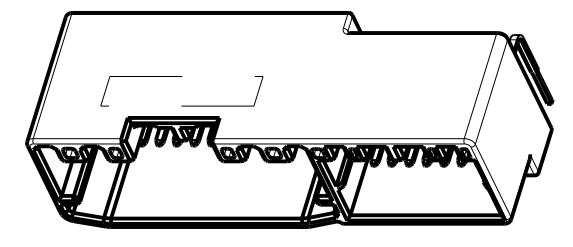


LOC	DIST	REVISIONS			
P	LTN	DESCRIPTION	DATE	DWN	APVD
FX	00				
A2		REVISED PER ECR-10-012887	17JUN2010	YSS	MB
B		REVISED PER ECO-14-001745	06FEB2014	DD	SA

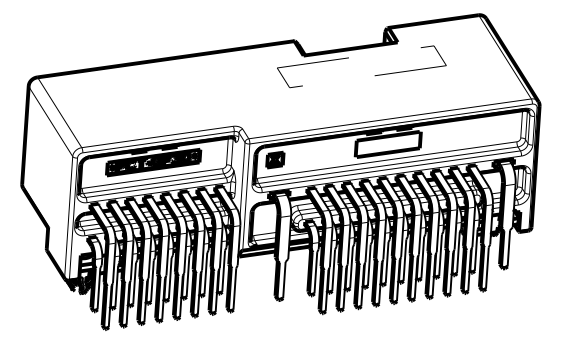
△ MARK DATE CODE IN APPROXIMATE LOCATION.



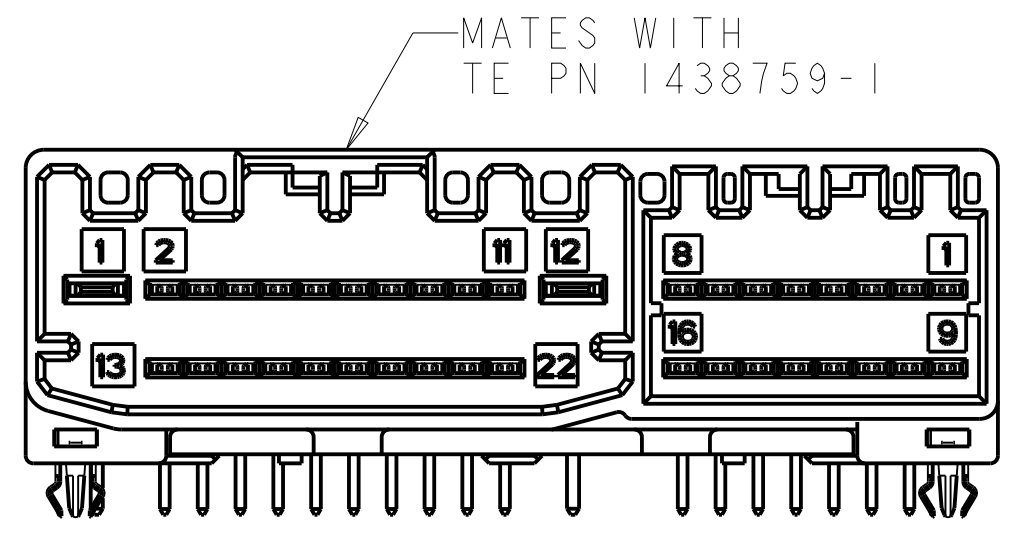
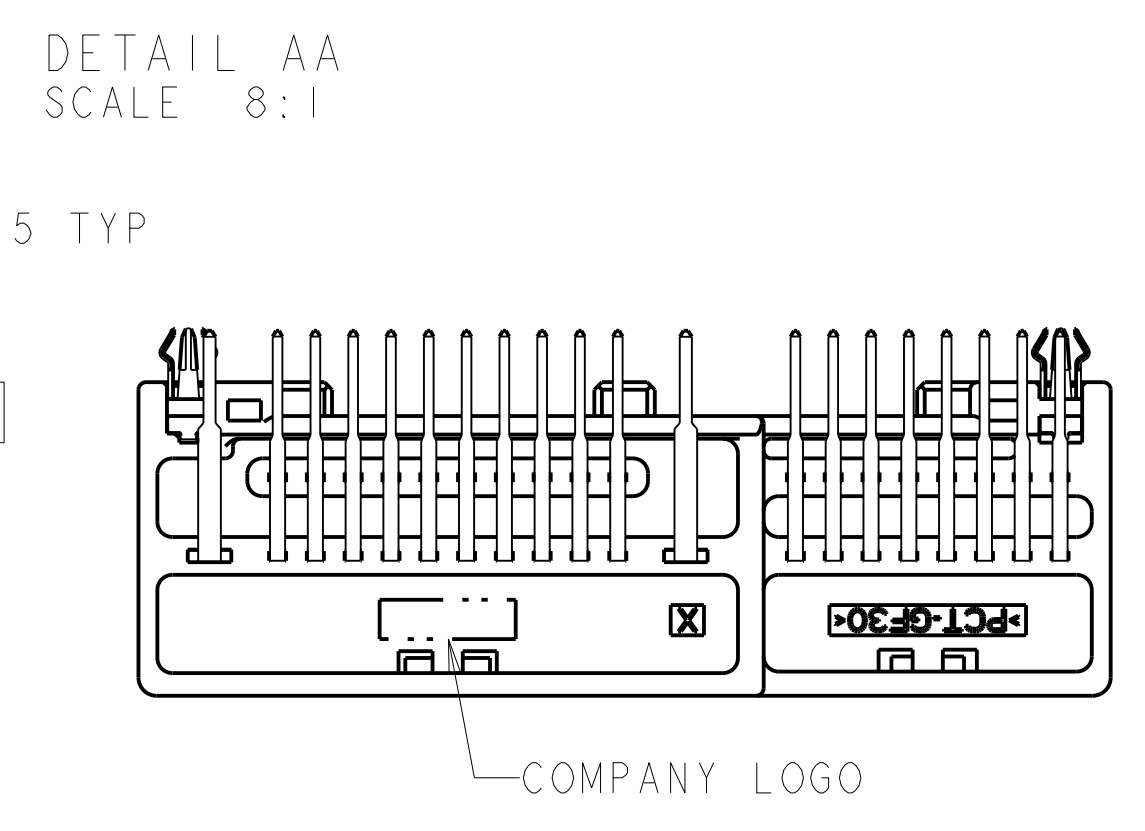
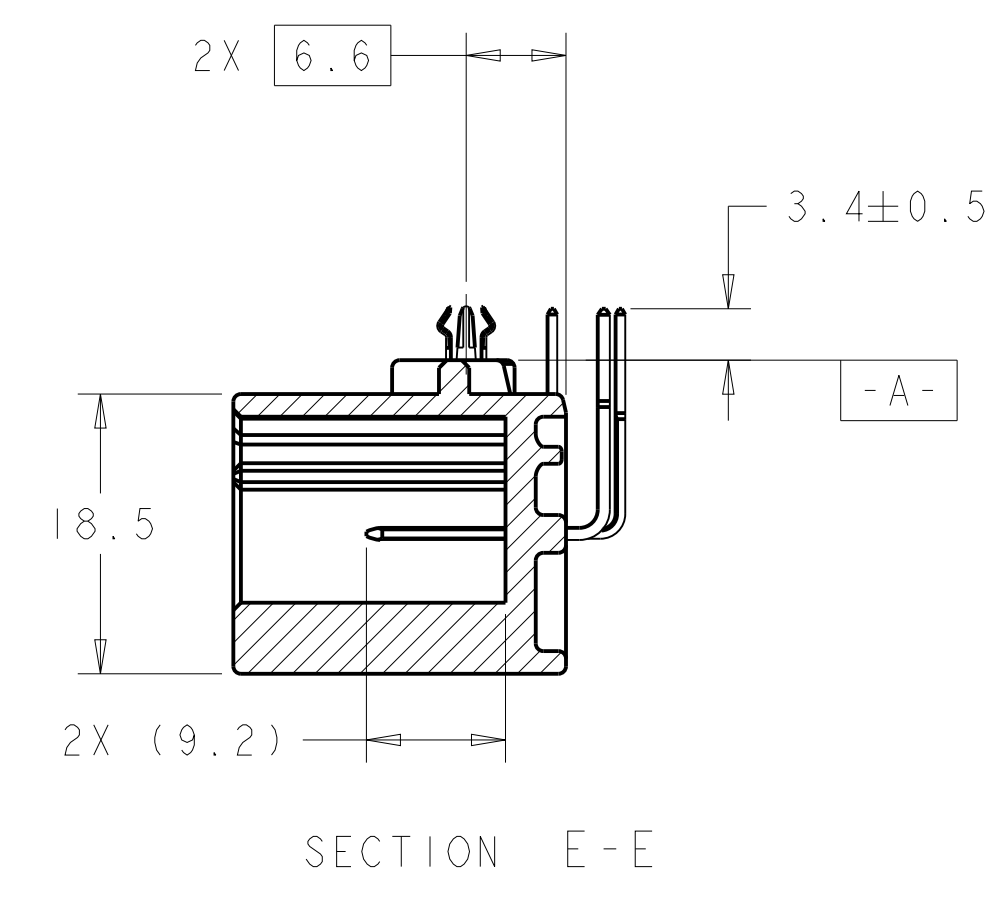
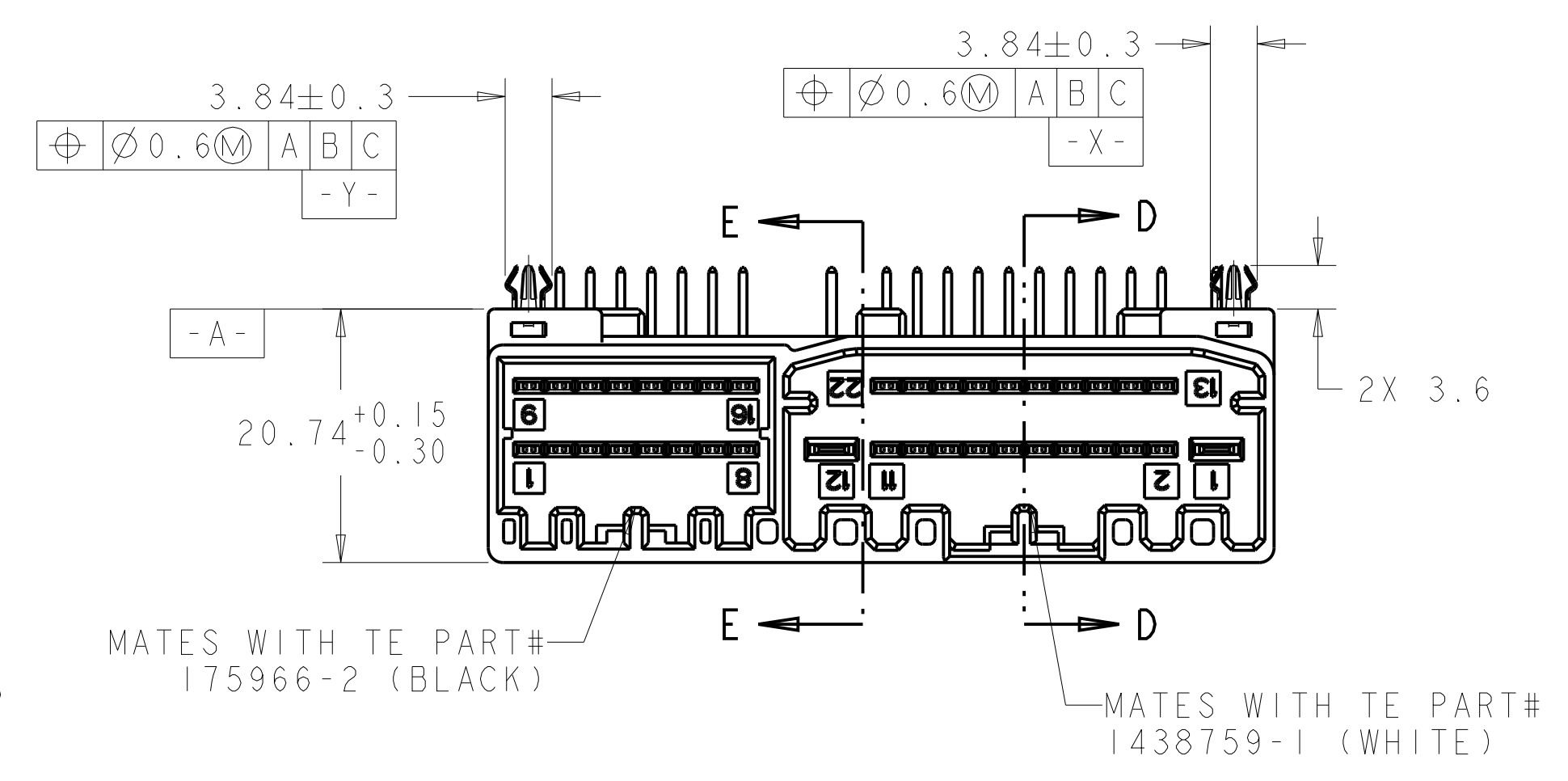
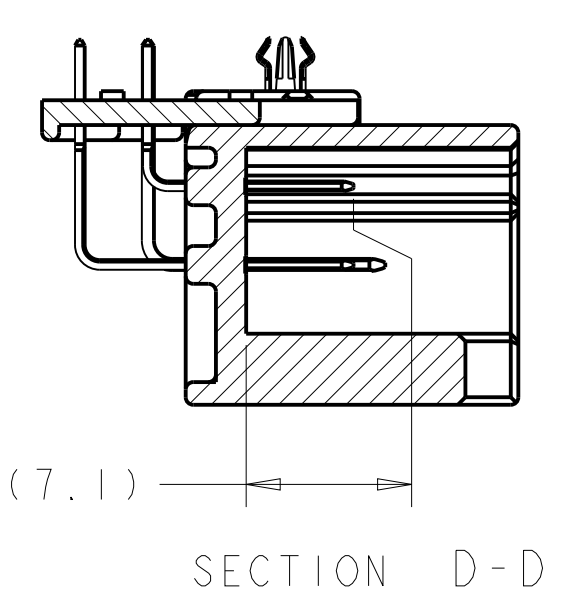
RECOMMENDED PCB LAYOUT CONNECTOR SIDE (RECOMMENDED BOARD THICKNESS 1.57mm)



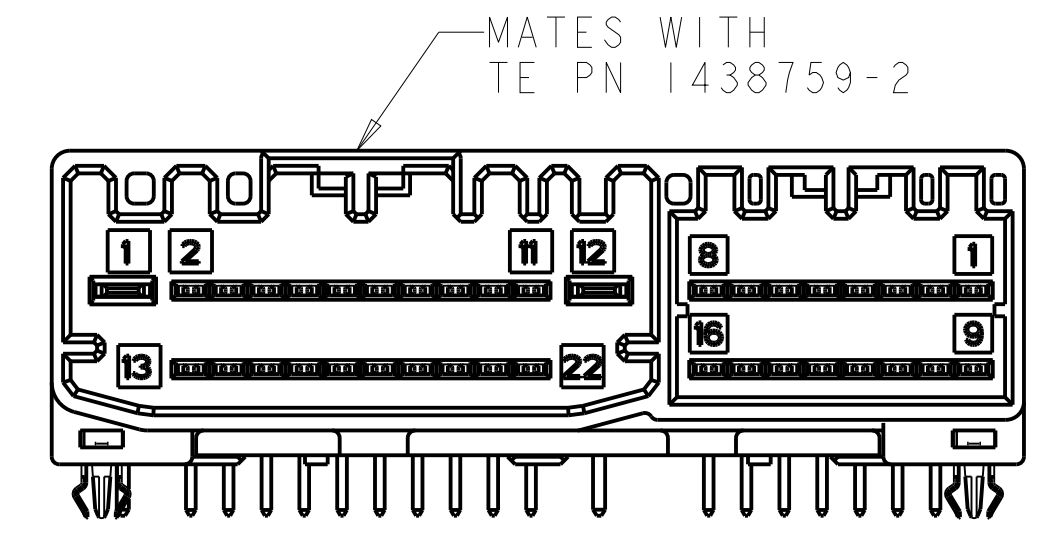
9-1438789-2 REF SCALE 1:1



9-1438789-2 REF SCALE 1:1



9-1438789-2



9-1438789-3

BOARDLOCK	CONTACT	HOUSING	PART NUMBER			
BRASS	PRE-TIN	BRASS	POST-TIN	PCT	BLACK	9-1438789-3
BRASS	PRE-TIN	BRASS	POST-TIN	PCT	BLACK	9-1438789-2
MATERIAL FINISH	MATERIAL FINISH	MATERIAL FINISH	MATERIAL FINISH	MATERIAL FINISH	COLOR	

THIS DRAWING IS A CONTROLLED DOCUMENT.		DWN: W MCALLISTER 08SEP2004 CHK: G MARTIN 21SEP2004 APVD: T McHAFFEE 21SEP2004		NAME: 38 POSITION CAP ASSEMBLY, HYBRID MULTILOCK, 22P .040/2.8 HYBRID + 16P .040	
DIMENSIONS: mm		TOLERANCES UNLESS OTHERWISE SPECIFIED:		SIZE: 114-13158	
0 PLC ±0.3		1 PLC ±0.3		WEIGHT: -	
2 PLC ±0.1		3 PLC ±0.1		CAGE CODE: -	
4 PLC ±0.1		5 PLC ±0.1		DRAWING NO: A100779	
ANGLES: ±0.2		FINISH: -		SCALE: 2:1	
MATERIAL: -		FINISH: -		SHEET: 1 OF 1	
Customer Drawing		Customer Drawing		REV: C	

单击下面可查看定价，库存，交付和生命周期等信息

[>>TE Connectivity\(泰科\)](#)