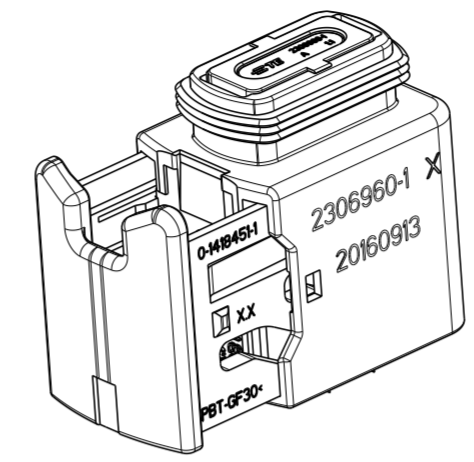
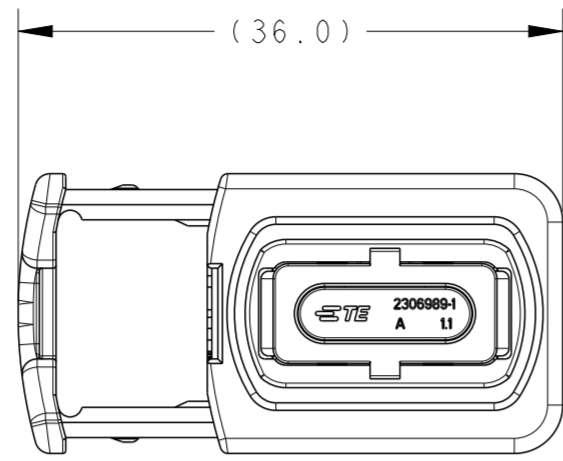
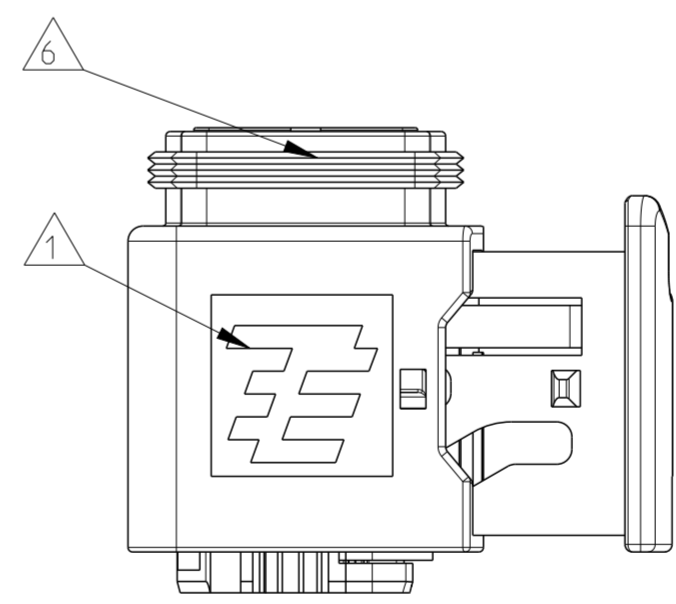
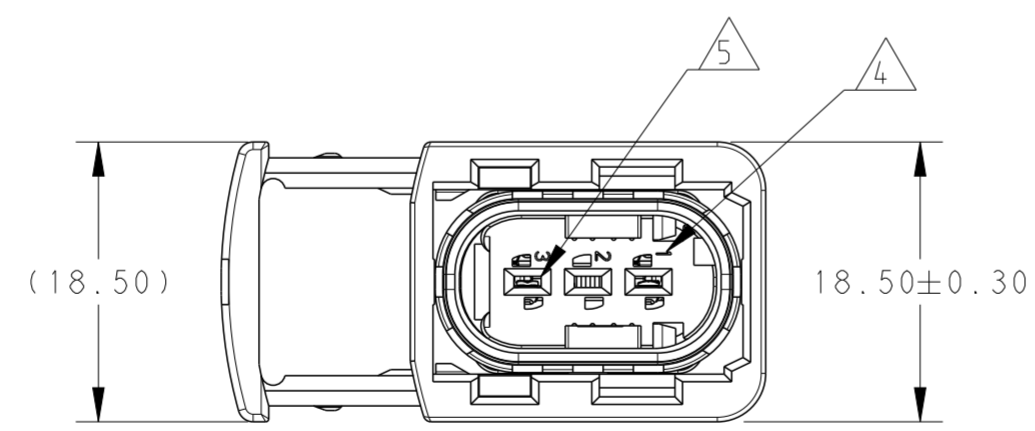
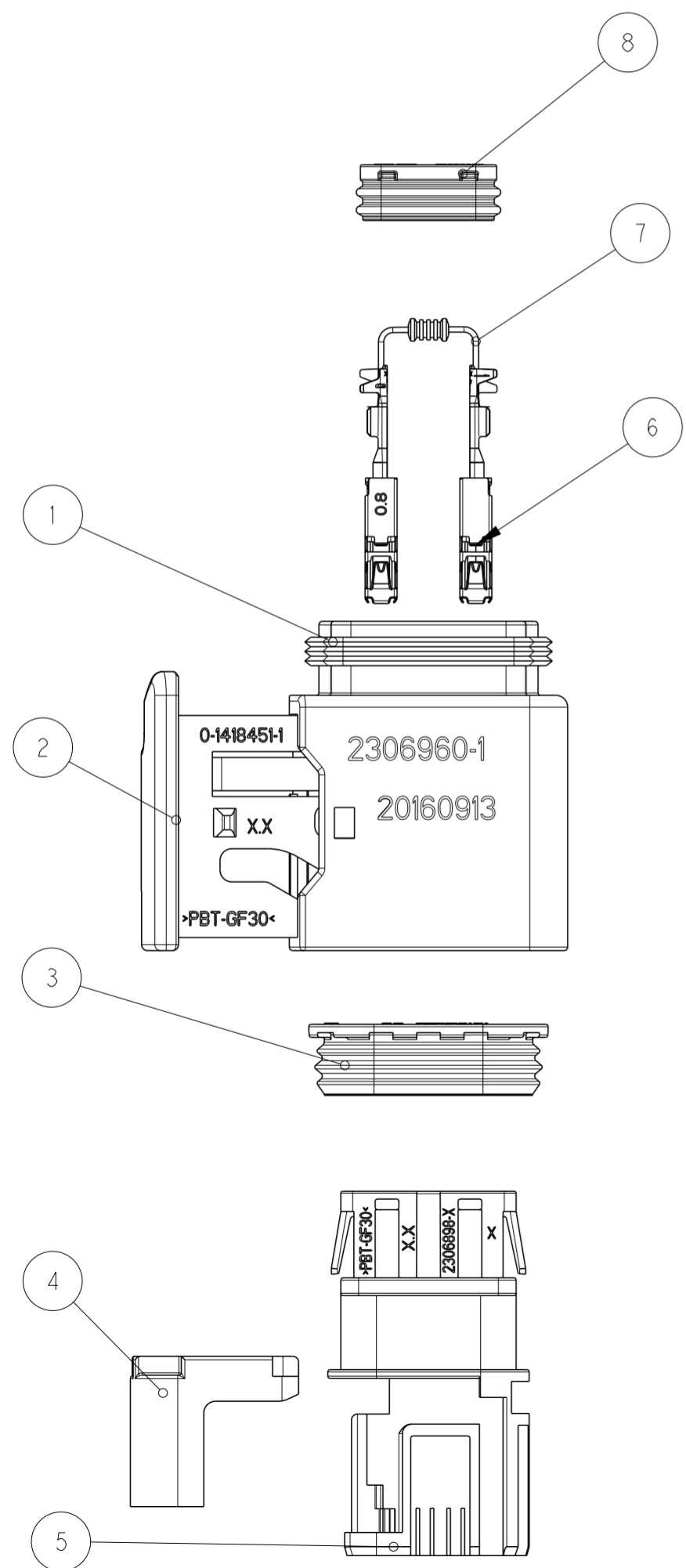
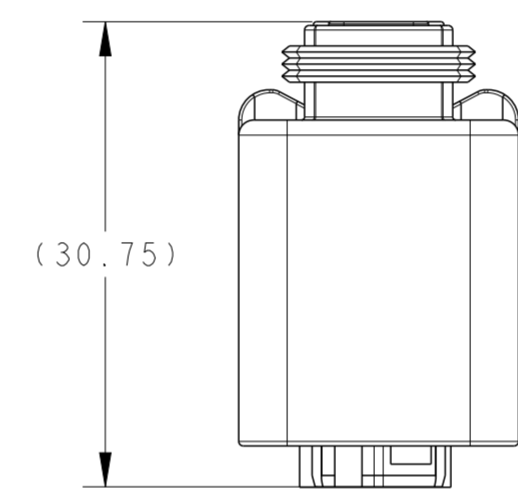
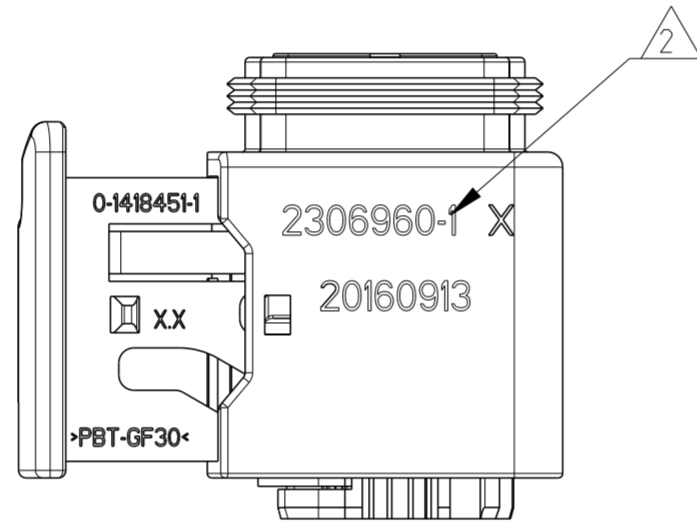


REVISIONS				
P	LTR	DESCRIPTION	DATE	APVD
A		INITIAL RELEASE	20JUL2017	C.W I.Y



NOTES

- 1 TE LOGO
- 2 ASSY PN, PRODUCTION DATE (CALENDAR DAY/YEAR); MARKING OPTIONAL AS LASER ENGRAVING OR LASER WITH COLOR CHANGE
- 3 BULK PACKAGING IN CORRUGATED BOX
- 4 CAVITY NUMBERING
- 5 CAVITIES MATED WITH AMP MCP 1.5k SEE PRODUCT GROUP DRAWING TE NO: 1241436
- 6 IN CASE OF IPX9K WATERPROOF GRADE APPLICATION. REFER TO DRAWING: 1670150, 1670365 FOR SUITABLE PROTECTIVE COVER.
- 7 FITS TO TE INTERFACE DRAWING 114-18743-1
- 8 SUITABLE COUNTERPART SEE DRAWING: 1670730, 1703843, 2278730
- 9 DELIVERY CONDITION: SECONDARY LOCKING IN LOCK POSITION AND SLIDE IN PRE-LOCKED POSITION
- 10 RESISTOR CHARACTERISTICS: 120 OHMS±10%, AT 70°C, 0.4WATTS MIN.



Q'TY	COLOUR	MATERIAL	DESCRIPTION	ITEM NO
1	WHITE	SILICONE	CAVITY BLOCK CAP	8
1	-	-	120 ohm RESISTOR	7
2	-	Cu ALLOY	CONTACT	6
1	WHITE	PBT-GF30	3POS CAVITY BLOCK	5
1	YELLOW	PBT-GF30	3POS. SEC. LOCK	4
1	WHITE	SILICONE	2-3POS. SEAL	3
1	YELLOW	PBT-GF30	2-3POS. U-SLIDE	2
1	BLACK	PBT-GF30	2-3POS. REC. HSG	1
2306960-1 PART NUMBER OF ASS'Y				
A PRODUCT VERSION				
11.80 WEIGHT OF ASS'Y PART				

THIS DRAWING IS A CONTROLLED DOCUMENT.

DIMENSIONS:	TOLERANCES UNLESS OTHERWISE SPECIFIED:	DWN C. WAN 09OCT2017	TE Connectivity NAME HDSCS WITH 120ohms RESISTOR 3POS. FEMALE CONNECTOR
mm	0 PLC ±	CHK E. JIANG 09OCT2017	
	1 PLC ±0.5	APVD I. YIN 09OCT2017	
	2 PLC ±0.25	PRODUCT SPEC -	
	3 PLC ±	APPLICATION SPEC -	SIZE CAGE CODE DRAWING NO RESTRICTED TO
	4 PLC ±	WEIGHT 11.8g	A200779 C-2306960
MATERIAL	FINISH	CUSTOMER DRAWING	SCALE 2:1 SHEET 1 OF 1 REV A

单击下面可查看定价，库存，交付和生命周期等信息

[>>TE Connectivity\(泰科\)](#)