

4

3

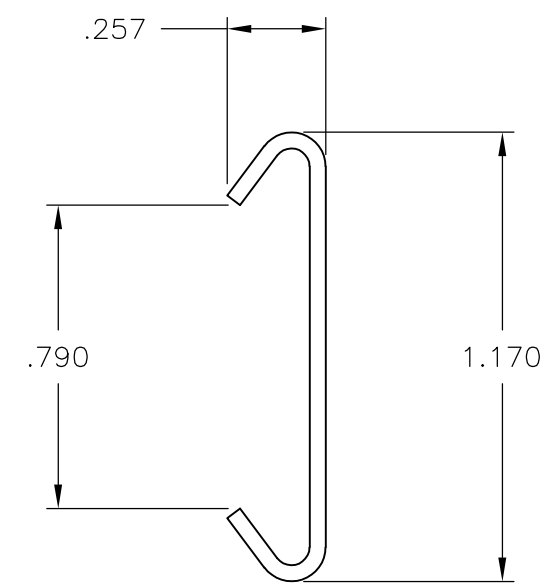
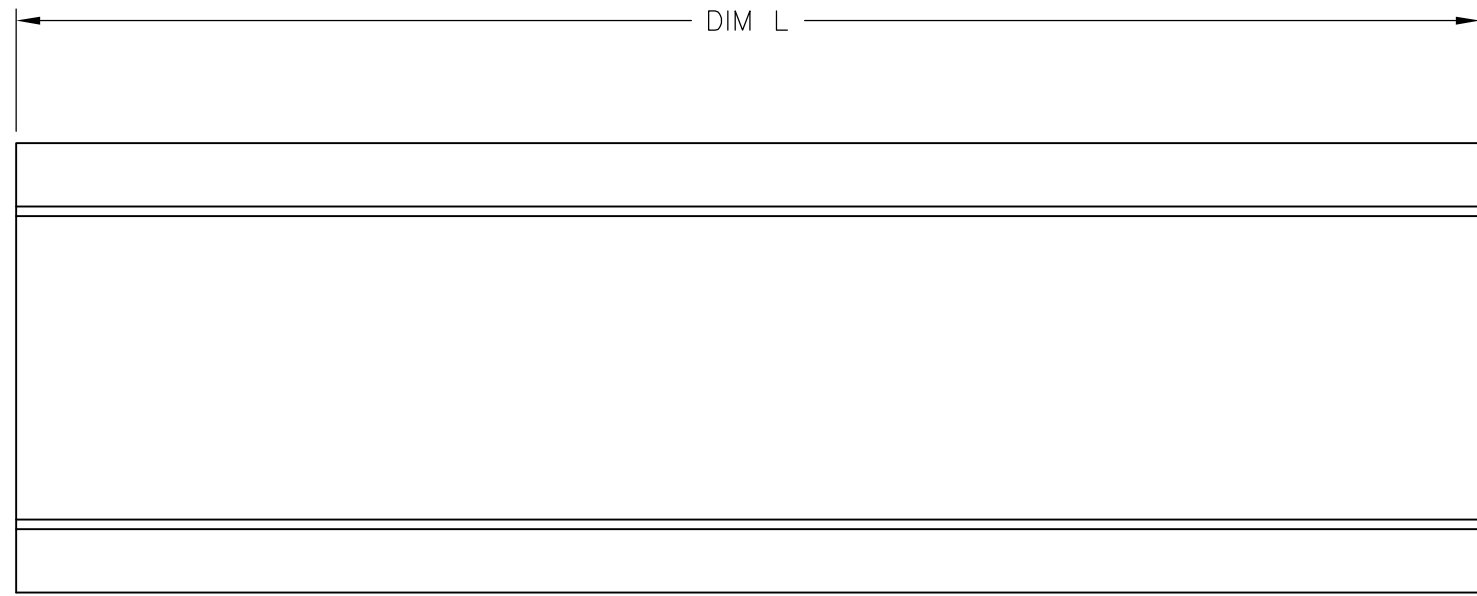
2

1

THIS DRAWING IS UNPUBLISHED. RELEASED FOR PUBLICATION  
 © COPYRIGHT - By - ALL RIGHTS RESERVED.

LOC	DIST	REVISIONS			
P	LTR	DESCRIPTION	DATE	DWN	APVD
	A	REVISED PER ECO-13-017511	08NOV2013	KH	MB

- 1 MATERIAL: ZINC PLATED, STEEL.
- 2 FOR USE WITH DOVETAIL BASE TERMINAL BLOCKS.



36 <sup>+5</sup> / <sub>-.25</sub>	STEEL CHANNEL, 3 FT	63-BU	9-1437381-8
72 <sup>+5</sup> / <sub>0</sub>	STEEL CHANNEL, 6 FT	60	9-1437381-1
DIM L	DESCRIPTION	CATALOG NUMBER	PART NUMBER

THIS DRAWING IS A CONTROLLED DOCUMENT.		DWN S SCHLEGEL 25JUN03	<b>TE Connectivity</b>			
DIMENSIONS: INCHES		CHK S YODER 6/26/03				
		APVD S YODER 6/26/03	NAME CHANNEL FOR SECTIONAL BLOCKS WITH DOVETAIL			
TOLERANCES UNLESS OTHERWISE SPECIFIED: 0 PLC ± - 1 PLC ± - 2 PLC ± - 3 PLC ± - 4 PLC ± - ANGLES ± -		PRODUCT SPEC -	APPLICATION SPEC -			
MATERIAL	FINISH	WEIGHT	SIZE	CAGE CODE	DRAWING NO	RESTRICTED TO
1	1	-	A3	00779	C-9-1437381-1	-
CUSTOMER DRAWING			SCALE	SHEET	REV	
			2:1	1 OF 1	A	

单击下面可查看定价，库存，交付和生命周期等信息

[>>TE Connectivity\(泰科\)](#)