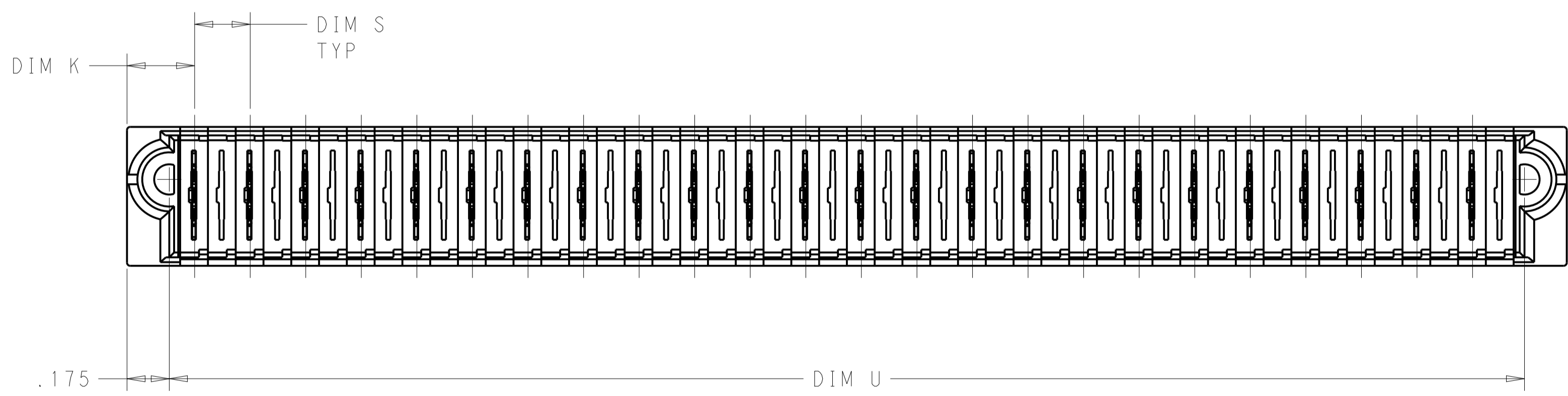
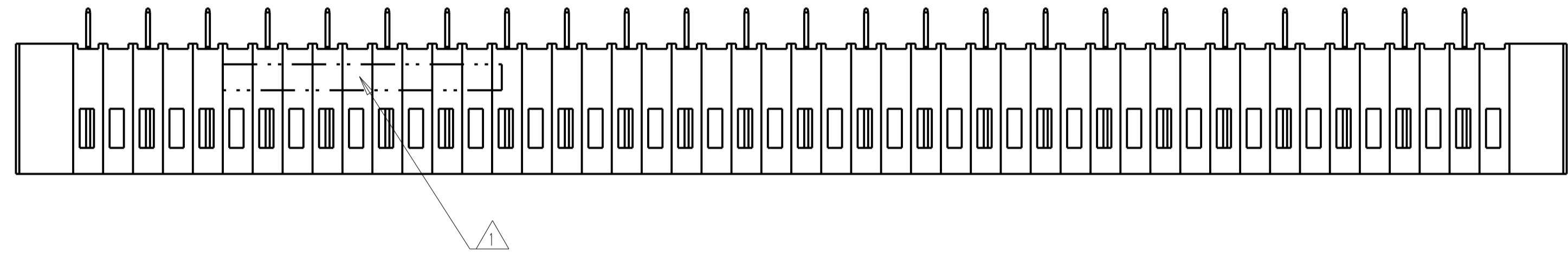
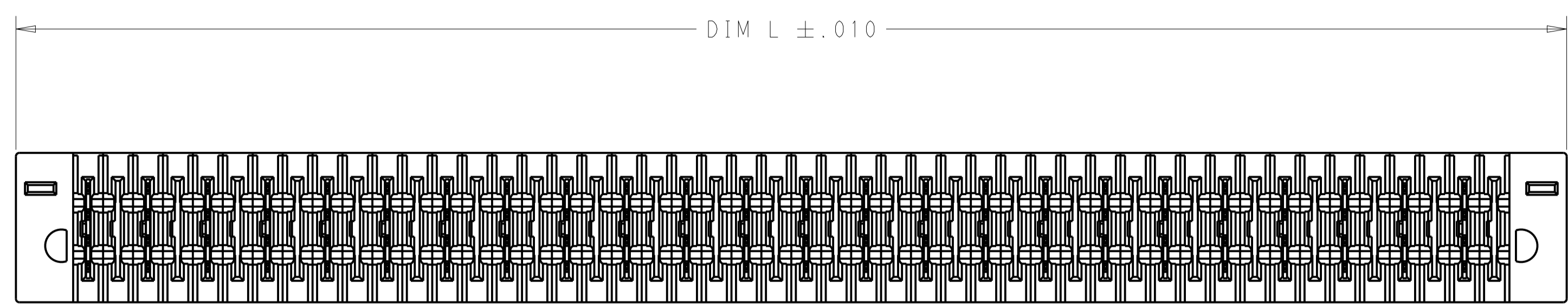
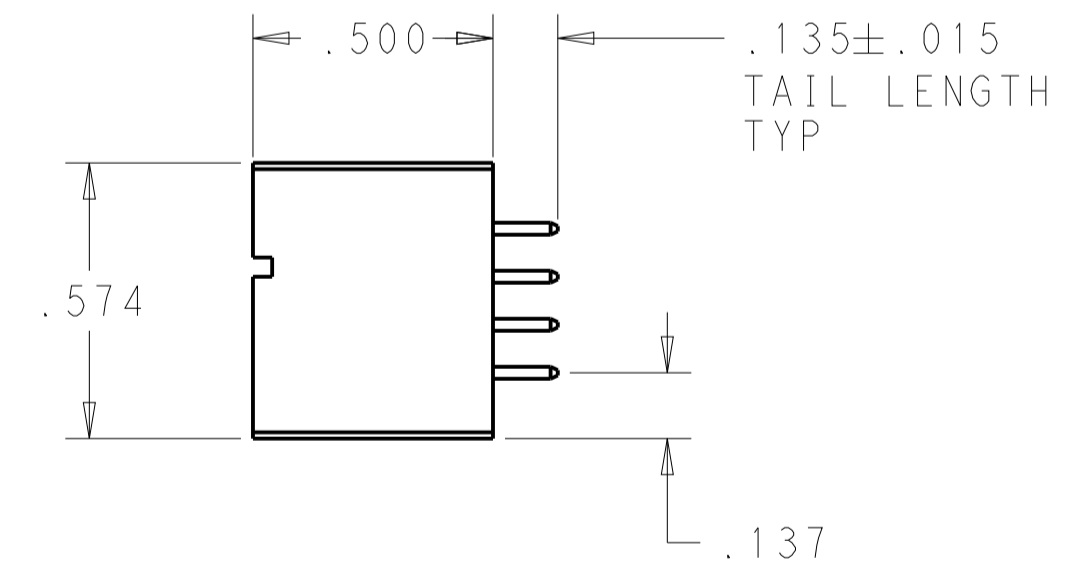


LOC	DIST	REVISIONS					
		P	LTN	DESCRIPTION	DATE	DWN	APVD
ES	00	A		REV PER ECR-11-017732	26AUG2011	CZ	SY
		A2		REV PER ECR-14-002489	24FEB2014	OL	SZ



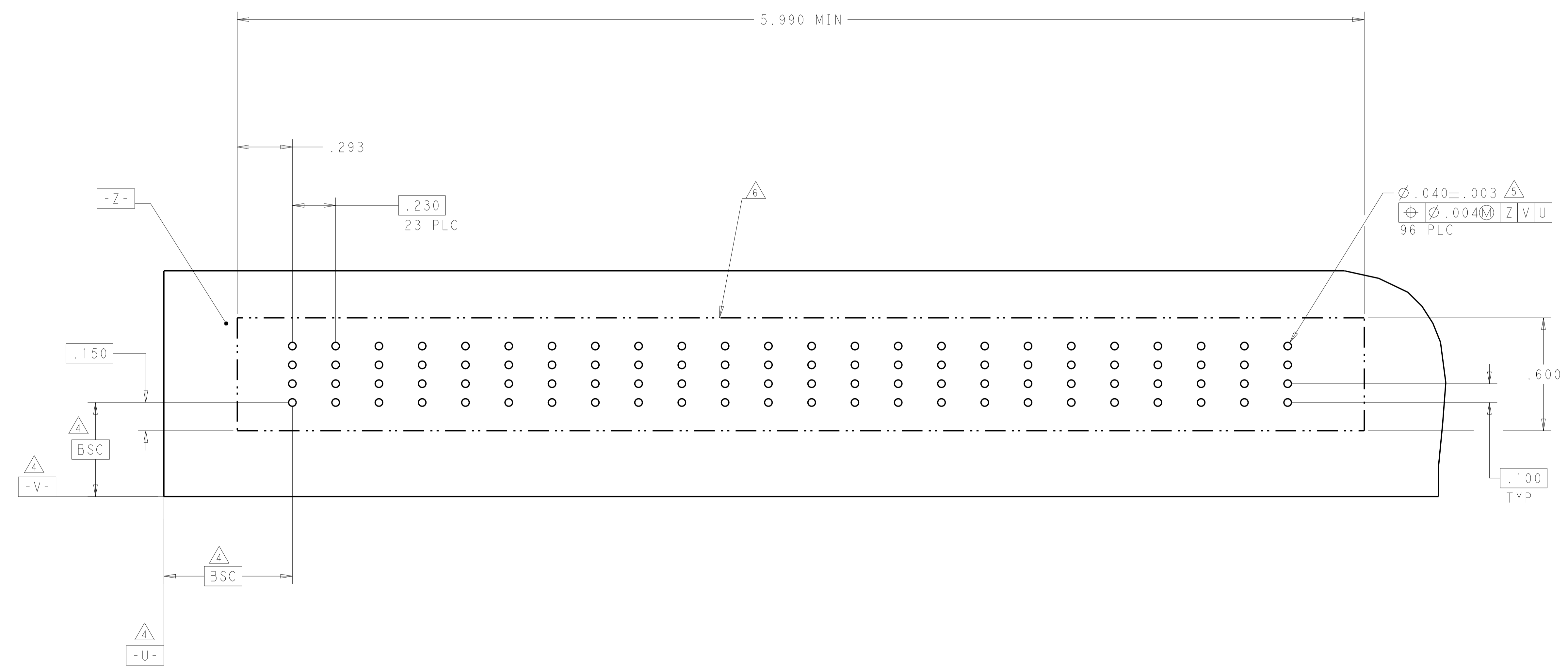
- ① HEADER HOUSING: THERMO PLASTIC, BLACK, UL94 V-0; CONTACTS AND RETENTION CLIPS: COPPER ALLOY.
- ② CONTACT PLATING: NOBLE METAL PLATING ON CONTACT FUNCTIONAL AREA OF POWER AND SIGNAL CONTACTS  
RETENTION CLIP: .000050 MIN. NI UNDER ALL, .000030 MIN. MATTE Sn OVER ALL
- ③ PART NUMBER AND DATE CODE MARKED IN THIS AREA. PARTS UNDER 2.50 LONG MAY BE MARKED ON BOTH SIDES.
- ④ DATUM AND BASIC DIMENSIONS ESTABLISHED BY CUSTOMER.
- ⑤ PCB - ALL HOLE DIAMETERS ARE FINISHED HOLE SIZES.
- ⑥ MECHANICAL CONNECTOR KEEP OUT ZONE.
- ⑦ VARIABLE DIMENSION PLEASE SEE PART VIEW .



1.110	⑦	.3275	1.460	6 LP	6450813-2
5.610	.230	.2775	5.960	24 LP	6450813-1
DIM U	DIM S	DIM K	DIM L	DESCRIPTION	PART NUMBER
THIS DRAWING IS A CONTROLLED DOCUMENT.		DWN C. ZHOU 16JUN2011 CHK S. ZHAO		TE Connectivity NAME: VERTICAL PLUG ASSEMBLY POWER ONLY, MULTI-BEAM XLE	
DIMENSIONS: INCH		TOLERANCES UNLESS OTHERWISE SPECIFIED:			
 0 PLC ± 1 PLC ± 2 PLC ± 3 PLC ±.005 4 PLC ±.0020 ANGLES ±.2°		FINISH: ②		APPLICATION SPEC: 114-13251	RESTRICTED TO: -
MATERIAL: ①		FINISH: ②		WEIGHT: -	SCALE: 2:1
CUSTOMER DRAWING				SIZE: A1	SHEET 1 OF 3

LOC	DIST	REVISIONS			
		REV	DATE	BY	APPD
ES	00	-	-	-	-
		SEE SHEET 1			

PART NUMBER	ROWS	LOW POWER																							
		LP1	LP2	LP3	LP4	LP5	LP6	LP7	LP8	LP9	LP10	LP11	LP12	LP13	LP14	LP15	LP16	LP17	LP18	LP19	LP20	LP21	LP22	LP23	LP24
6450813-1	D																								
	C	LXF	LXF	LXF	LXF	LXF	LXF	LXF	LXF	LXF	LXF	LXF	LXF	LXF	LXF	LXF	LXF	LXF	LXF	LXF	LXF	LXF	LXF	LXF	
	B																								
	A																								
24 LP																									

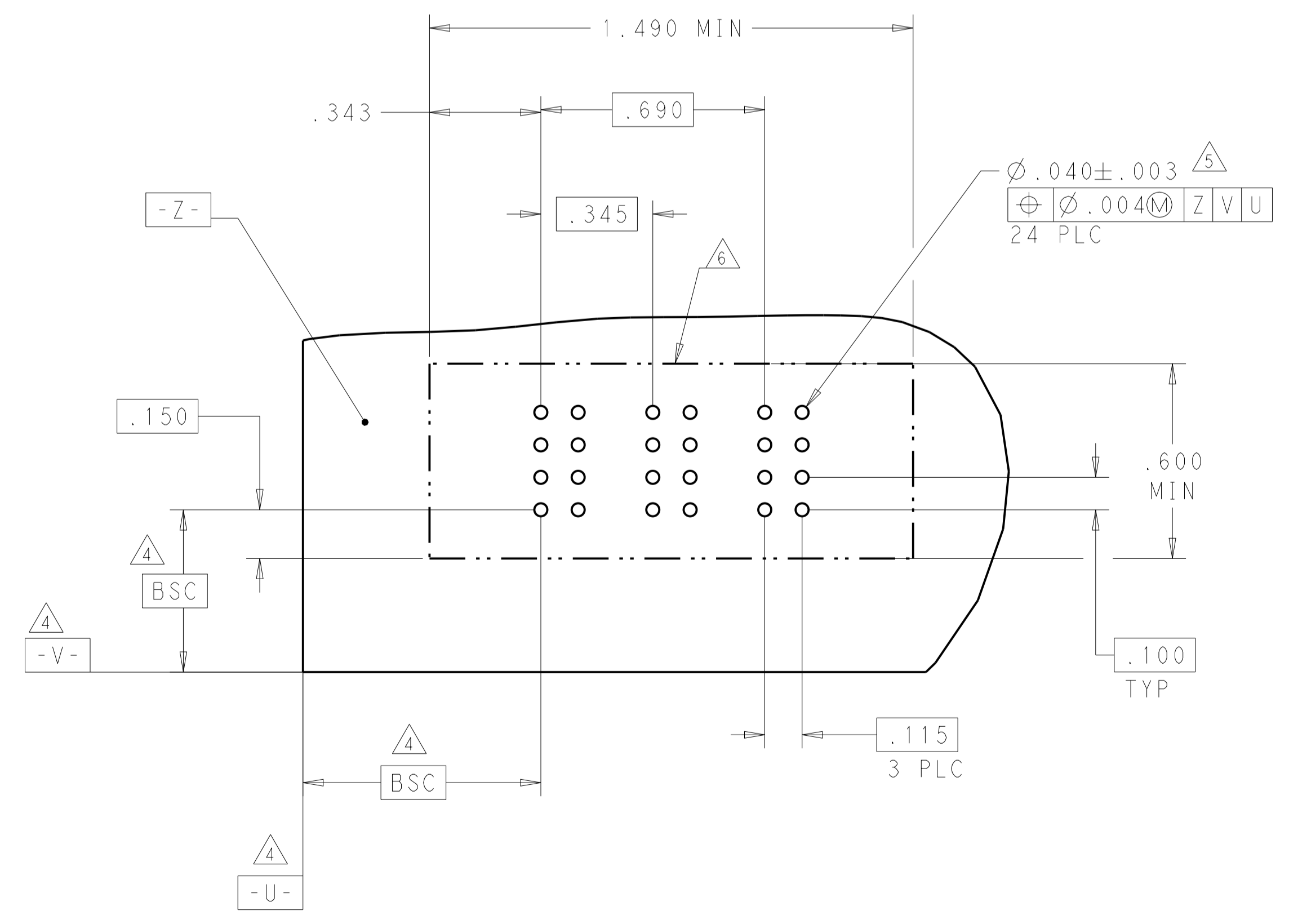
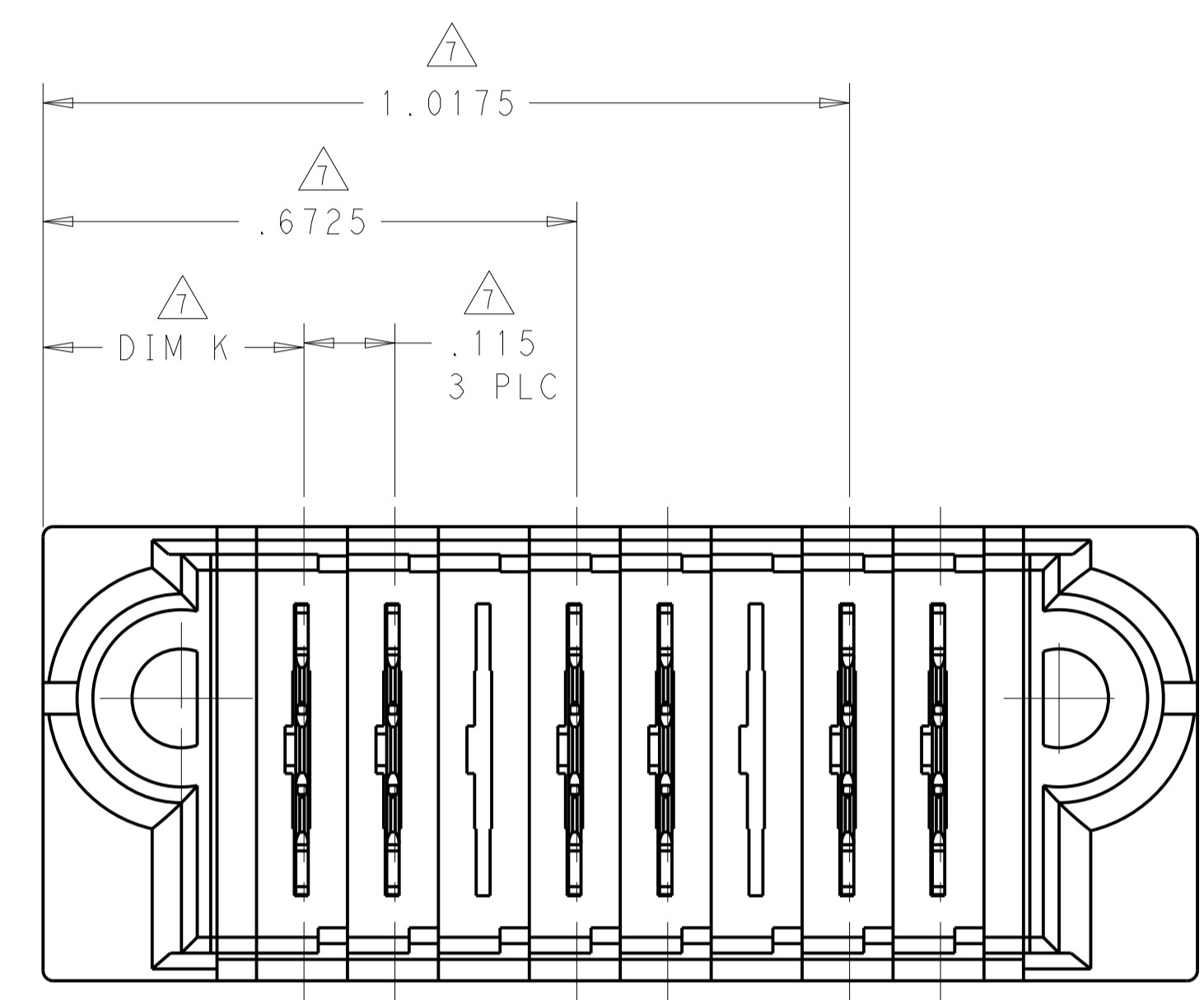


-	RETENTION CLIP	HD
MFBL	LOW POWER CONTACT .135	LXF
MATING SEQUENCE	DESCRIPTION	IDENTIFIER

THIS DRAWING IS A CONTROLLED DOCUMENT.		OWN C. ZHOU	16 JUN 2011	<b>TE</b> Connectivity
DIMENSIONS: inch		CHK S. ZHAO	APVD	
TOLERANCES UNLESS OTHERWISE SPECIFIED:		NAME		
0 PLC ± 1 PLC ± 2 PLC ± 3 PLC ±.005 4 PLC ±.0020 ANGLES ±.020		PRODUCT SPEC 108-2292 APPLICATION SPEC 114-13251 WEIGHT CUSTOMER DRAWING		
MATERIAL		SIZE CAGE CODE DRAWING NO		RESTRICTED TO
FINISH		A100779C=6450813		SCALE 2:1 SHEET 2 OF 3 REV A2

LOC	DIST	REVISIONS			
		REV	DATE	BY	APPV
ES	00	-	-	-	-
		SEE SHEET 1			

PART NUMBER	ROWS	LOW POWER						
		LP1	LP2	LP3	LP4	LP5	LP6	
6450813-2	D		LXF	LXF	LXF	LXF	LXF	LXF
	C							
	B							
	A							
6 LP								



THIS DRAWING IS A CONTROLLED DOCUMENT.		DWN: C. ZHOU 16JUN2011 CHK: S. ZHAO APVD:	TE Connectivity NAME: VERTICAL PLUG ASSEMBLY POWER ONLY, MULTI-BEAM XLE
DIMENSIONS: inch	TOLERANCES UNLESS OTHERWISE SPECIFIED: 0 PLC ± 1 PLC ± 2 PLC ± 3 PLC ±.005 4 PLC ±.002 ANGLES ±.2°	PRODUCT SPEC: 108-2292 APPLICATION SPEC: 114-13251 WEIGHT:	
MATERIAL:	FINISH:	CUSTOMER DRAWING	SCALE: 2:1 SHEET: 3 OF 3 REV: A2

单击下面可查看定价，库存，交付和生命周期等信息

[>>TE Connectivity\(泰科\)](#)