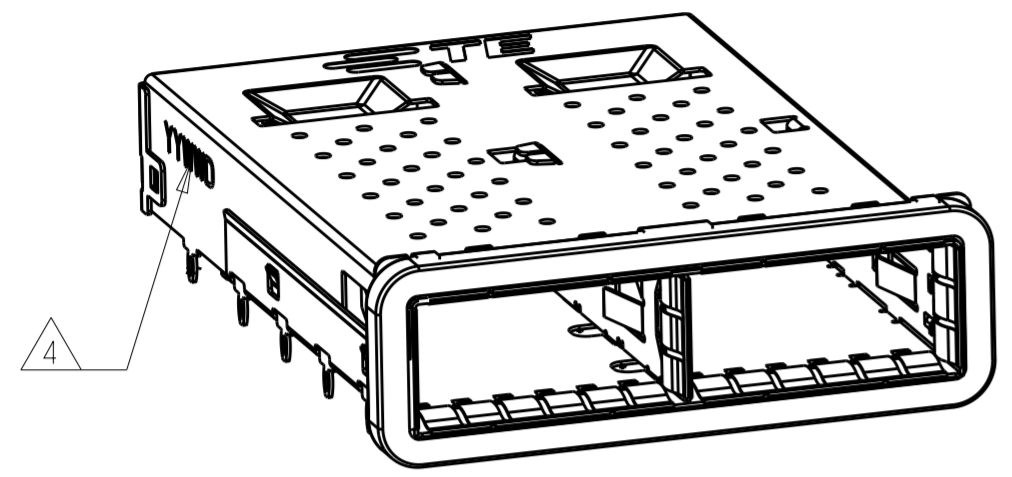
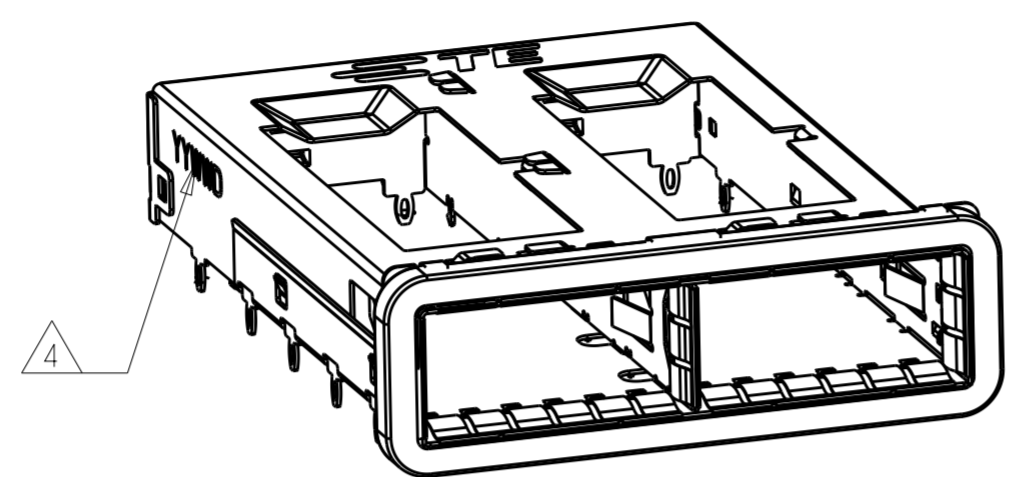


THIS DRAWING IS UNPUBLISHED. RELEASED FOR PUBLICATION 20  
 © COPYRIGHT 20 BY - ALL RIGHTS RESERVED.

LOC	DIST	REVISIONS					
GP	00	P	LTR	DESCRIPTION	DATE	DWN	APVD
		A		RELEASE	31DEC2015	JY	SH

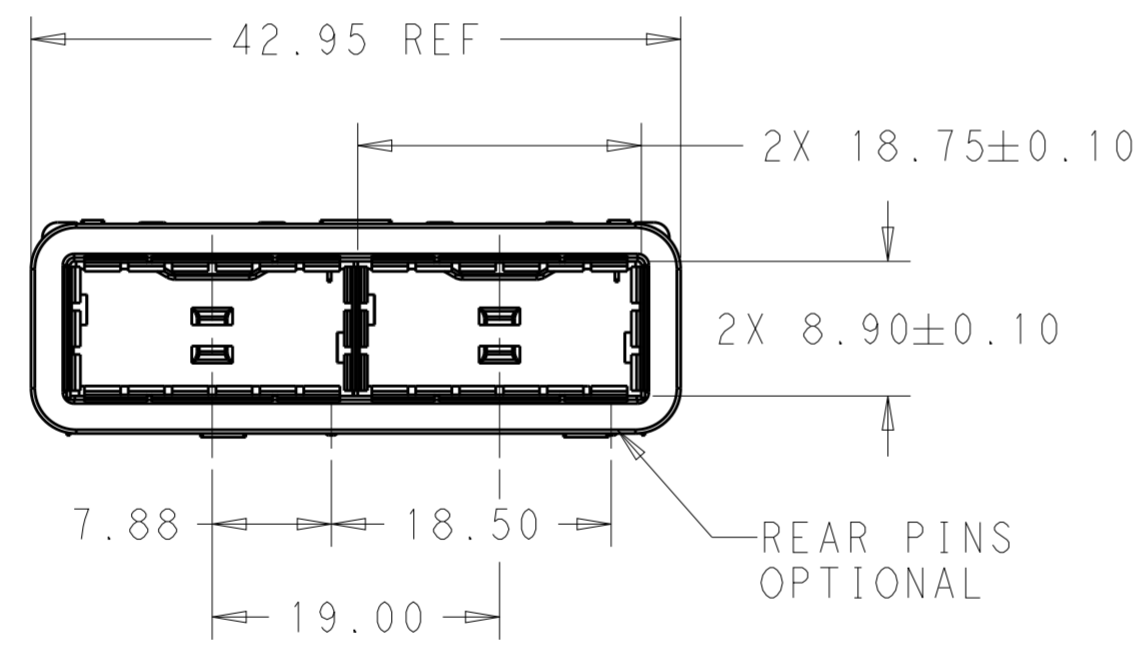


2170811-1, -4 AS SHOWN  
SCALE 2:1

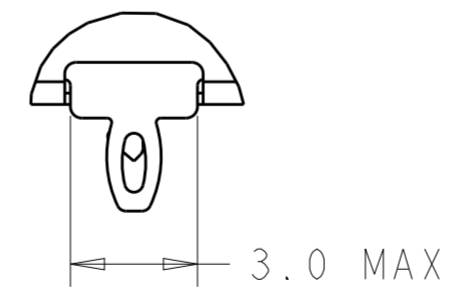
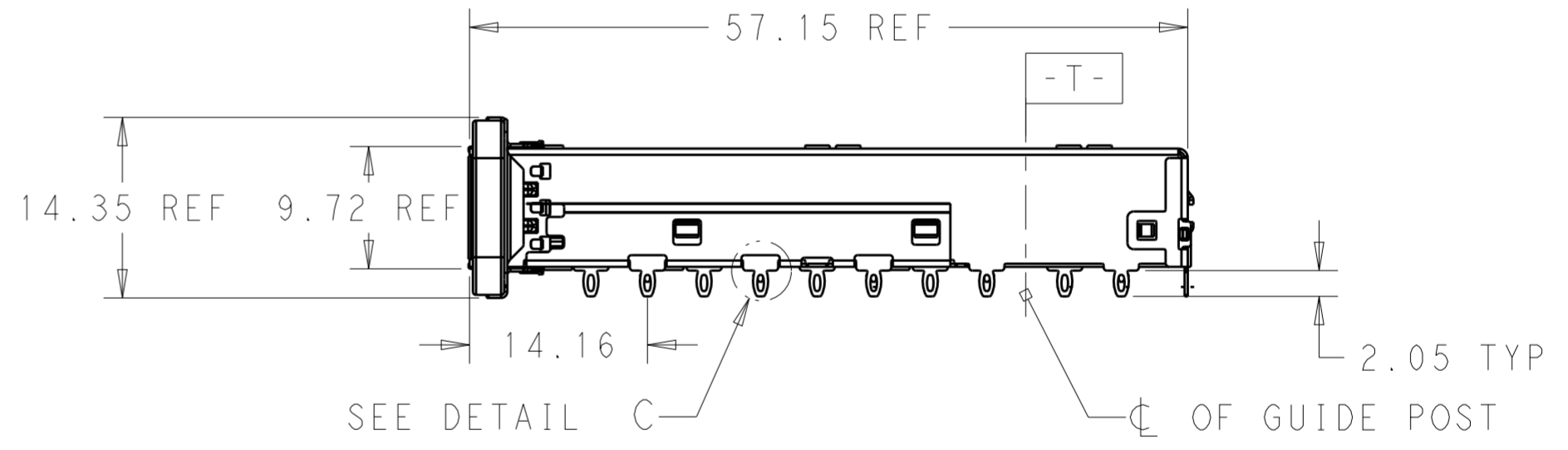


2170811-2, -5 AS SHOWN  
SCALE 2:1

- COMPONENTS  
 CAGE ASSEMBLY: NICKEL-SILVER ALLOY  
 EMI SPRING: COPPER ALLOY/NICKEL PLATE
- REFERENCE APPLICATION SPECIFICATION 114-32023 FOR RECOMMENDED DRILL HOLE DIAMETER AND PLATING THICKNESS
- DATUM AND BASIC DIMENSION ESTABLISHED BY CUSTOMER
- DATE CODE (YYWWD) MARKED APPROXIMATELY AS SHOWN.
- MATES WITH QSFP28 MSA COMPATIBLE TRANSCEIVER.
- MINIMUM PC BOARD THICKNESS:  
 SINGLE SIDED: 1.57 MIN  
 DOUBLE SIDED: 3.00 MIN
- DATUM **-A-** IS TOP SURFACE OF THE HOST BOARD.
- THESE HOLES ARE OPTIONAL WHEN THE REAR PINS ARE REMOVED.



SCALE 2:1



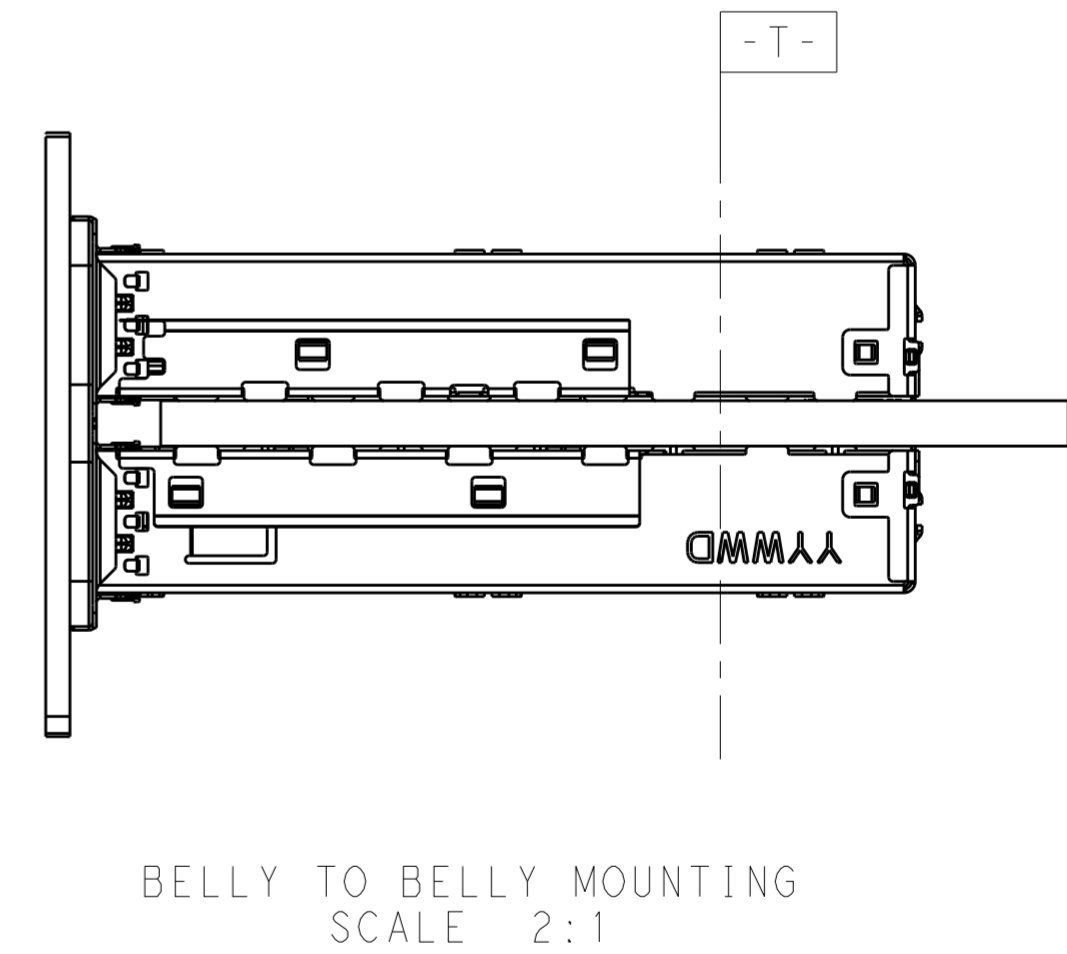
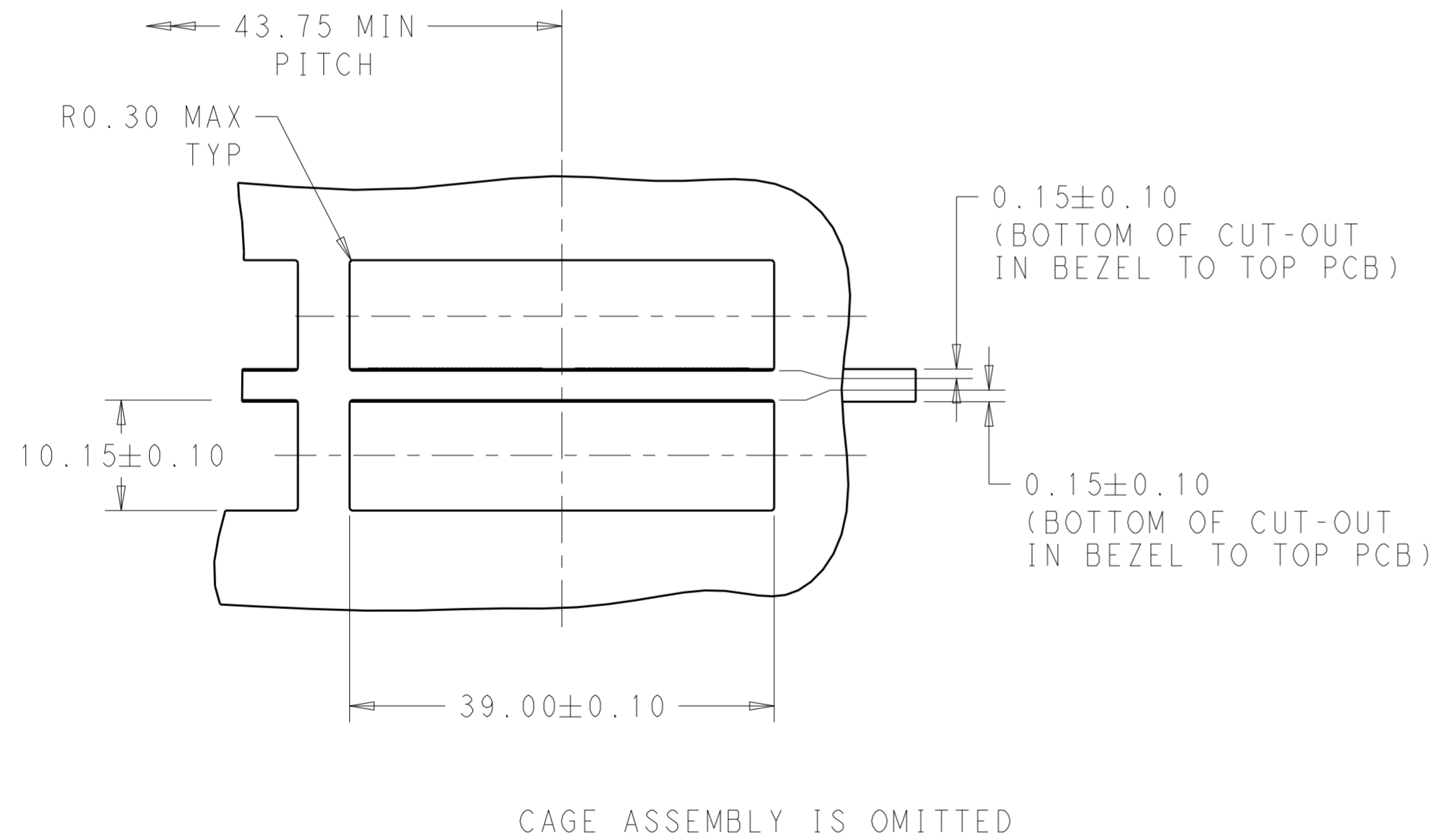
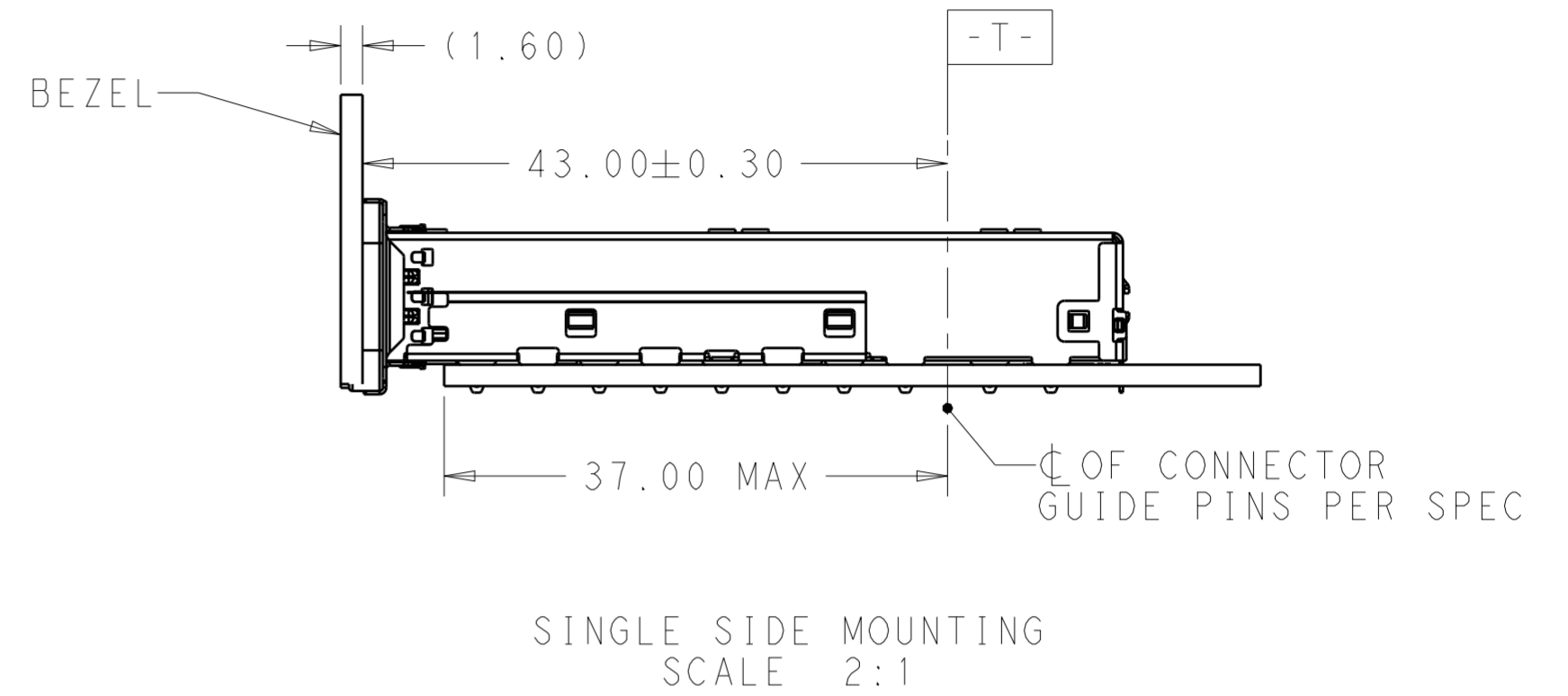
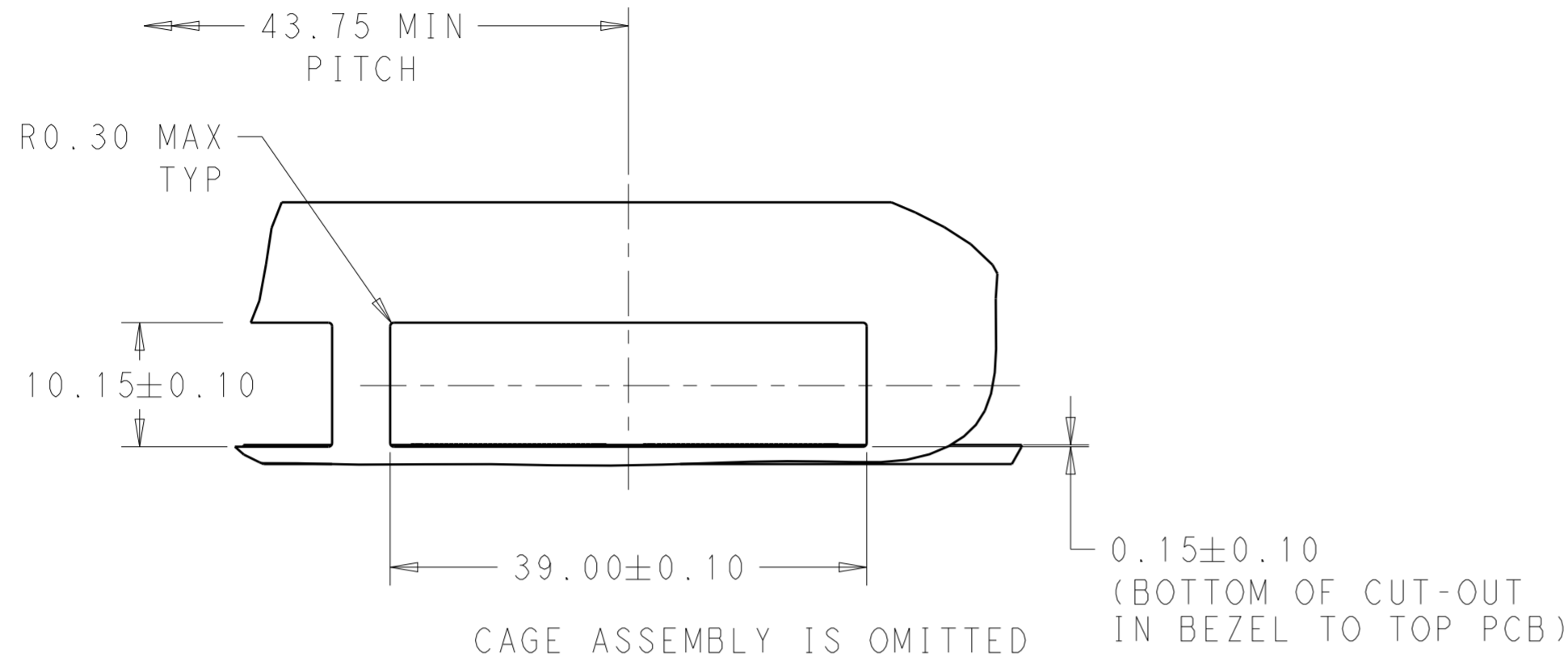
DETAIL C  
SCALE 6:1

WITHOUT	WITH	2170811-5
WITHOUT	WITHOUT	2170811-4
WITH	WITH	2170811-2
WITH	WITHOUT	2170811-1
REAR PIN OPTIONAL	HEAT SINK OPEN OPTIONAL	PART NUMBER

THIS DRAWING IS A CONTROLLED DOCUMENT.		DWN BING LIU 15SEP2014	TE Connectivity	
DIMENSIONS: mm		CHK JASON YANG 15SEP2014		
TOLERANCES UNLESS OTHERWISE SPECIFIED:		APVD SEAN HAN 31DEC2015	NAME RECEPTACLE CAGE ASSEMBLY THRU BEZEL, 1X2, QSFP28, GASKET	
0 PLC ± 1 PLC ±0.25 2 PLC ±0.2 3 PLC ± 4 PLC ±		PRODUCT SPEC 108-19428	SIZE A200779	
MATERIAL SEE NOTES		APPLICATION SPEC 114-32023	DRAWING NO C-2170811	
FINISH SEE NOTES		WEIGHT -	RESTRICTED TO -	
CUSTOMER DRAWING		SCALE 1:1		SHEET OF 5 REV A

THIS DRAWING IS UNPUBLISHED. RELEASED FOR PUBLICATION 20  
 © COPYRIGHT 20 BY - ALL RIGHTS RESERVED.

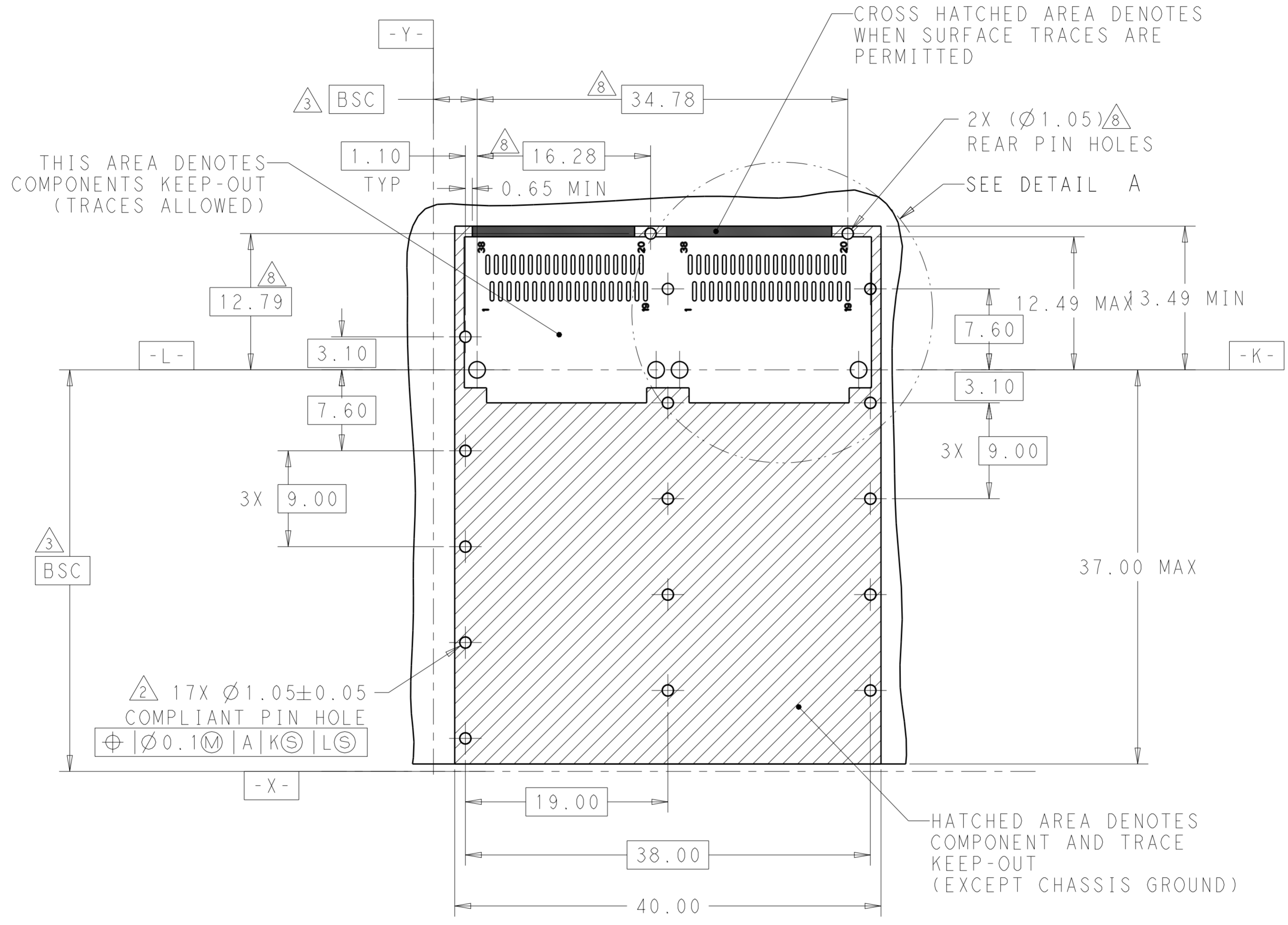
LOC		DIST		REVISIONS			
P	LTR	DESCRIPTION	DATE	DWN	APVD		
-		SEE SHEET 1	-	-	-		



THIS DRAWING IS A CONTROLLED DOCUMENT.		DWN BING LIU 15SEP2014	<b>STE</b> TE Connectivity	
DIMENSIONS: mm		CHK JASON YANG 15SEP2014		
TOLERANCES UNLESS OTHERWISE SPECIFIED:		APVD SEAN HAN 31DEC2015	NAME RECEPTACLE CAGE ASSEMBLY THRU BEZEL, 1X2, QSFP28, GASKET	
0 PLC ±		PRODUCT SPEC 108-19428	SIZE CAGE CODE DRAWING NO RESTRICTED TO	
1 PLC ±0.25		APPLICATION SPEC 114-32023	A200779 C-2170811	
2 PLC ±0.2		WEIGHT -	SCALE 1:1 SHEET OF 5 REV A	
3 PLC ±				
4 PLC ±				
ANGLES ±				
FINISH				
MATERIAL SEE NOTES material_2		Customer Drawing		
SEE NOTES finish_spec_2				

THIS DRAWING IS UNPUBLISHED. RELEASED FOR PUBLICATION 20  
 © COPYRIGHT 20 BY - ALL RIGHTS RESERVED.

LOC		DIST		REVISIONS			
P	LTR	DESCRIPTION	DATE	DWN	APVD		
-	-	SEE SHEET 1	-	-	-		

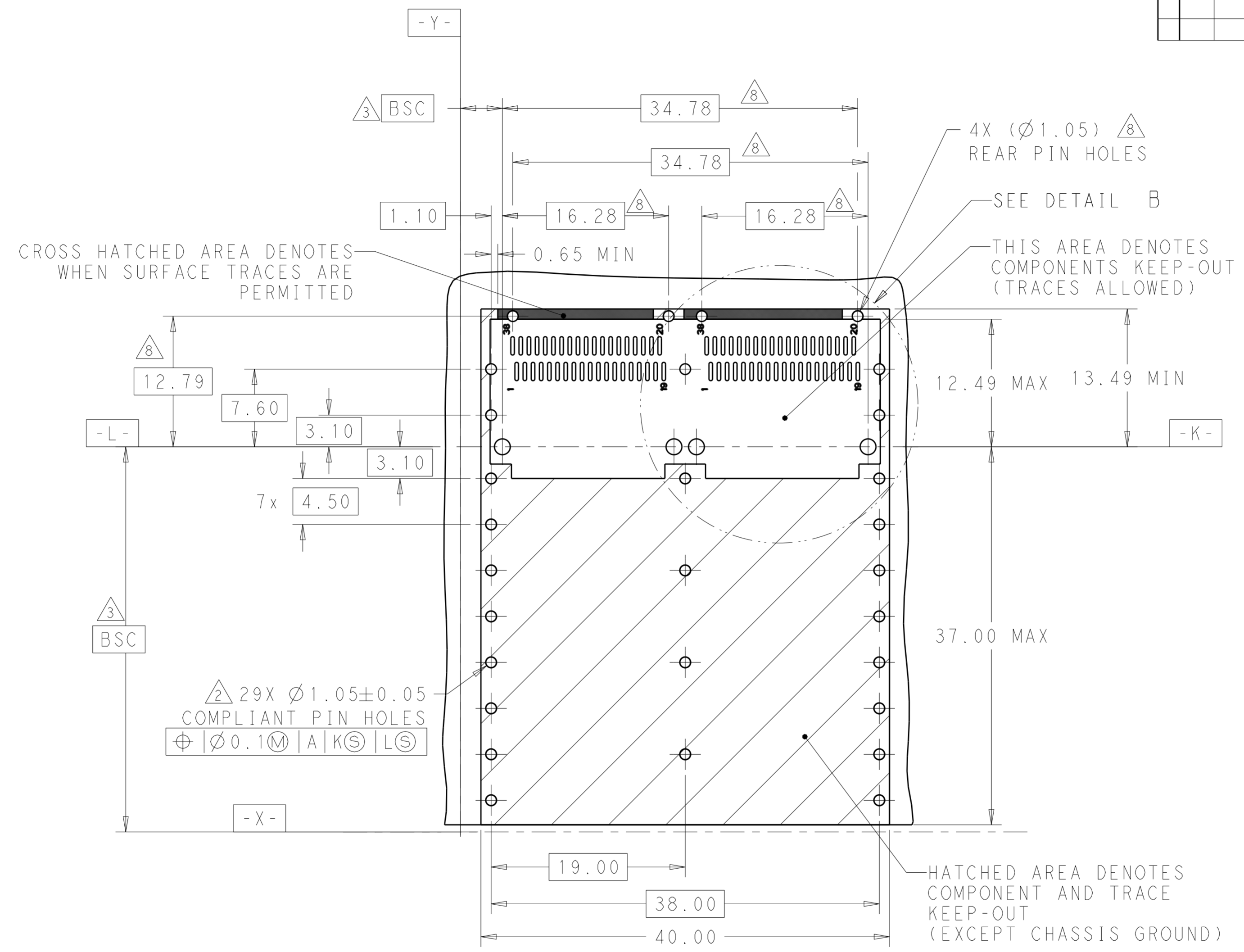


RECOMMENDED PCB LAYOUT  
 SINGLE TYPE  
 PCB TOLERANCE: ±0.05  
 SCALE 3:1

THIS DRAWING IS A CONTROLLED DOCUMENT.		DWN BING LIU 15SEP2014	TE Connectivity	
DIMENSIONS: mm		CHK JASON YANG 15SEP2014		
TOLERANCES UNLESS OTHERWISE SPECIFIED:		APVD SEAN HAN 31DEC2015	NAME RECEPTACLE CAGE ASSEMBLY THRU BEZEL, 1X2, QSFP28, GASKET	
0 PLC ± 1 PLC ±0.25 2 PLC ±0.2 3 PLC ± 4 PLC ± ANGLES ± FINISH		PRODUCT SPEC 108-19428	SIZE A200779	CAGE CODE C-2170811
MATERIAL SEE NOTES material_2		APPLICATION SPEC 114-32023	DRAWING NO	RESTRICTED TO
SEE NOTES finish_spec_2		WEIGHT -	SCALE 1:1	SHEET OF 5
		Customer Drawing	REV A	

THIS DRAWING IS UNPUBLISHED. RELEASED FOR PUBLICATION 20  
 © COPYRIGHT 20 BY - ALL RIGHTS RESERVED.

LOC		DIST		REVISIONS			
P	LTR	DESCRIPTION	DATE	DWN	APVD		
-	-	SEE SHEET 1	-	-	-		

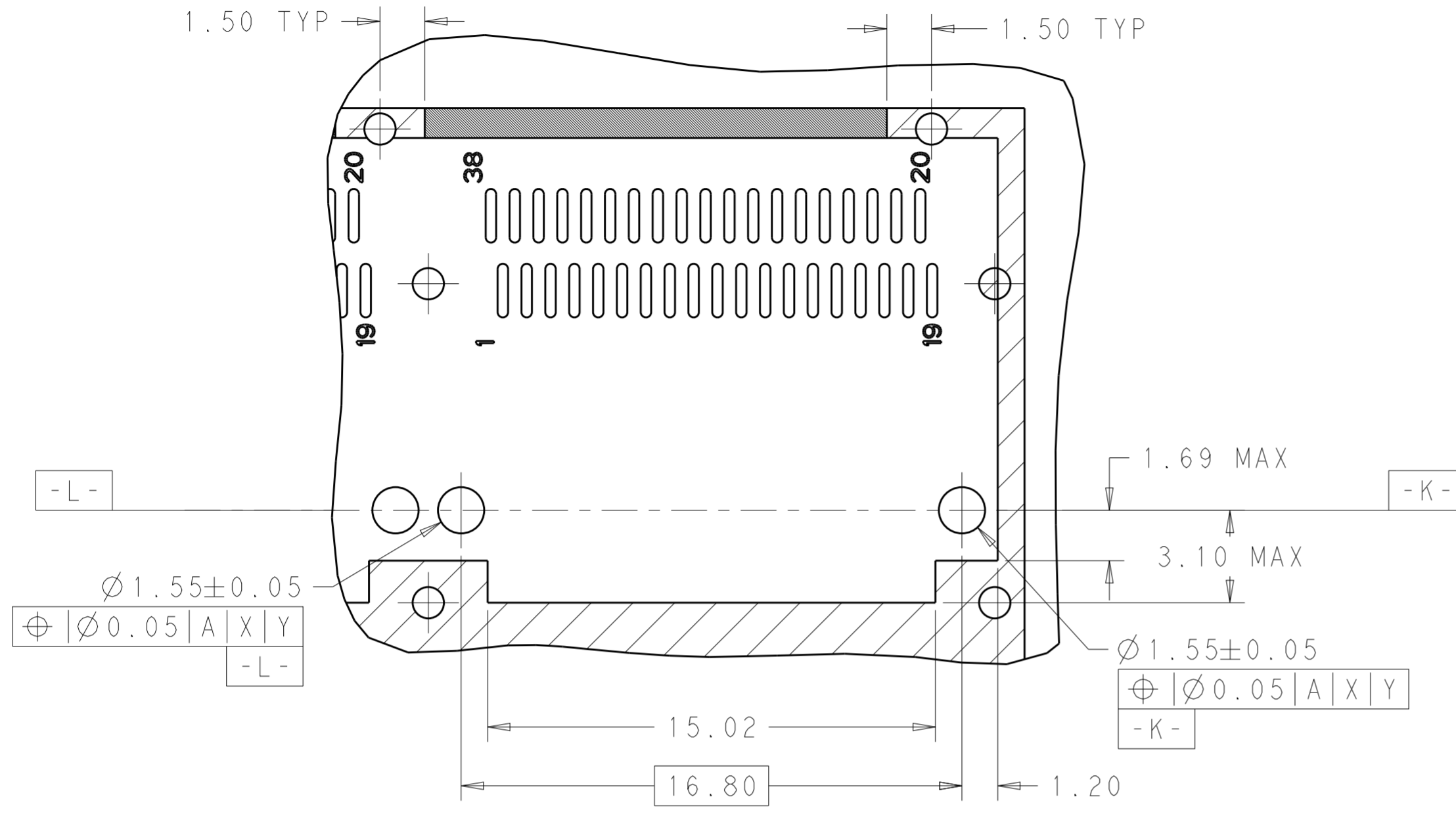


RECOMMENDED PCB LAYOUT  
 BELLY TO BELLY TYPE  
 PCB TOLERANCE: ±0.05  
 SCALE 3:1

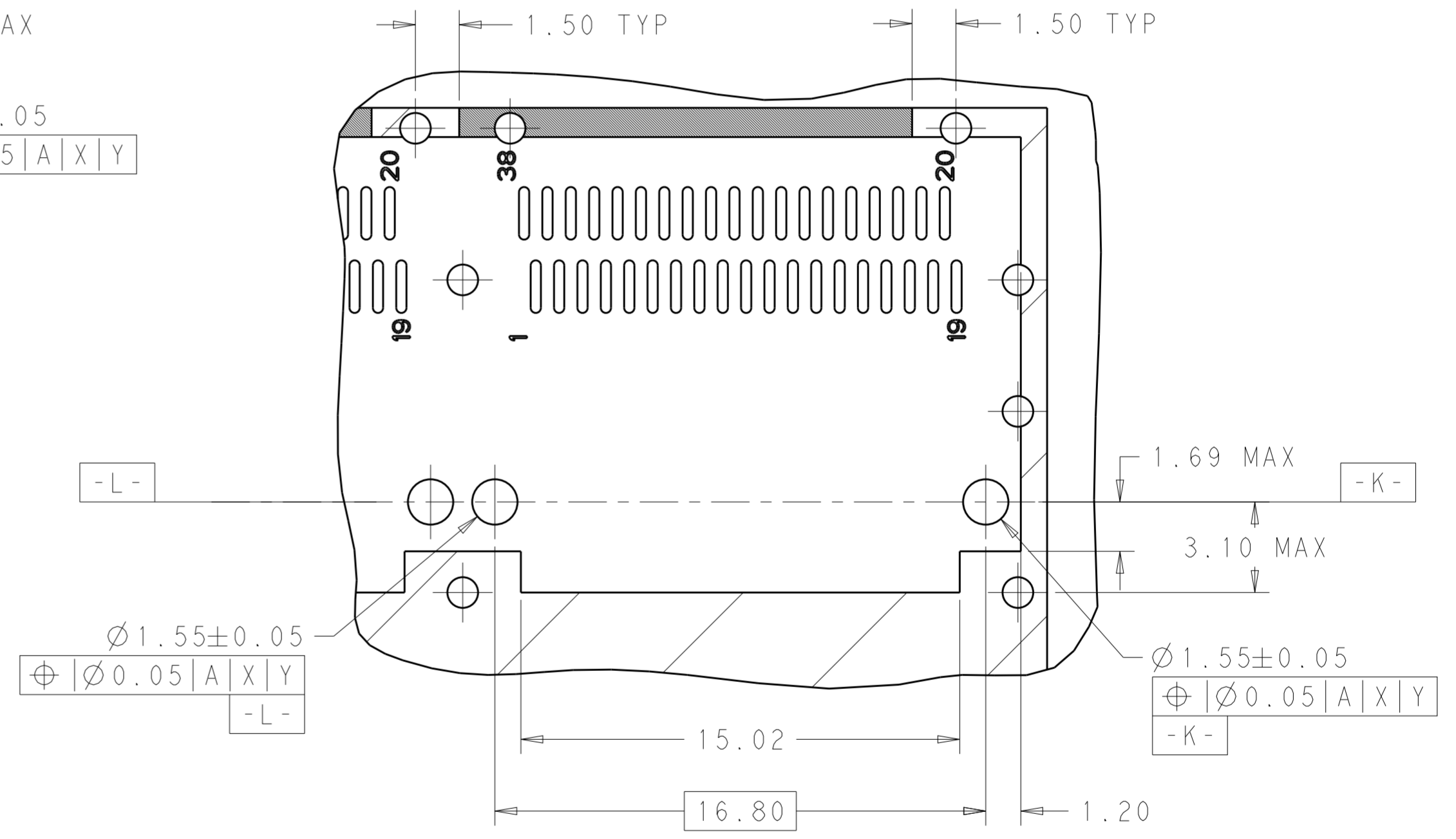
THIS DRAWING IS A CONTROLLED DOCUMENT.		DWN BING LIU 15SEP2014	TE Connectivity													
DIMENSIONS: mm		CHK JASON YANG 15SEP2014														
TOLERANCES UNLESS OTHERWISE SPECIFIED:		APVD SEAN HAN 31DEC2015	NAME RECEPTACLE CAGE ASSEMBLY THRU BEZEL, 1X2, QSFP28, GASKET													
<table border="1"> <tr><td>0 PLC</td><td>±</td></tr> <tr><td>1 PLC</td><td>±0.25</td></tr> <tr><td>2 PLC</td><td>±0.2</td></tr> <tr><td>3 PLC</td><td>±</td></tr> <tr><td>4 PLC</td><td>±</td></tr> <tr><td>ANGLES</td><td>±</td></tr> </table>		0 PLC	±	1 PLC	±0.25	2 PLC	±0.2	3 PLC	±	4 PLC	±	ANGLES	±	PRODUCT SPEC 108-19428	SIZE A200779	
0 PLC	±															
1 PLC	±0.25															
2 PLC	±0.2															
3 PLC	±															
4 PLC	±															
ANGLES	±															
MATERIAL SEE NOTES material_2		APPLICATION SPEC 114-32023	DRAWING NO C-2170811													
FINISH SEE NOTES finish_spec_2		WEIGHT -	RESTRICTED TO -													
		Customer Drawing		SCALE 1:1 SHEET OF 5 REV A												

THIS DRAWING IS UNPUBLISHED. RELEASED FOR PUBLICATION 20  
 © COPYRIGHT 20 BY - ALL RIGHTS RESERVED.

LOC	DIST	REVISIONS			
P	LTR	DESCRIPTION	DATE	DWN	APVD
-	-	SEE SHEET 1	-	-	-



DETAIL A  
SCALE 6:1



DETAIL B  
SCALE 6:1

THIS DRAWING IS A CONTROLLED DOCUMENT.		DWN BING LIU 15SEP2014	<b>STE</b> TE Connectivity
DIMENSIONS: mm		CHK JASON YANG 15SEP2014	
TOLERANCES UNLESS OTHERWISE SPECIFIED:		APVD SEAN HAN 31DEC2015	NAME RECEPTACLE CAGE ASSEMBLY THRU BEZEL, 1X2, QSFP28, GASKET
0 PLC ±	1 PLC ±0.25	PRODUCT SPEC 108-19428	SIZE A200779
2 PLC ±0.2	3 PLC ±	APPLICATION SPEC 114-32023	CAGE CODE C-2170811
4 PLC ±	ANGLES ±	WEIGHT -	DRAWING NO -
MATERIAL SEE NOTES material_2	FINISH SEE NOTES finish_spec_2	Customer Drawing	RESTRICTED TO -
SCALE 1:1			SHEET OF 5 REV A

单击下面可查看定价，库存，交付和生命周期等信息

[>>TE Connectivity\(泰科\)](#)