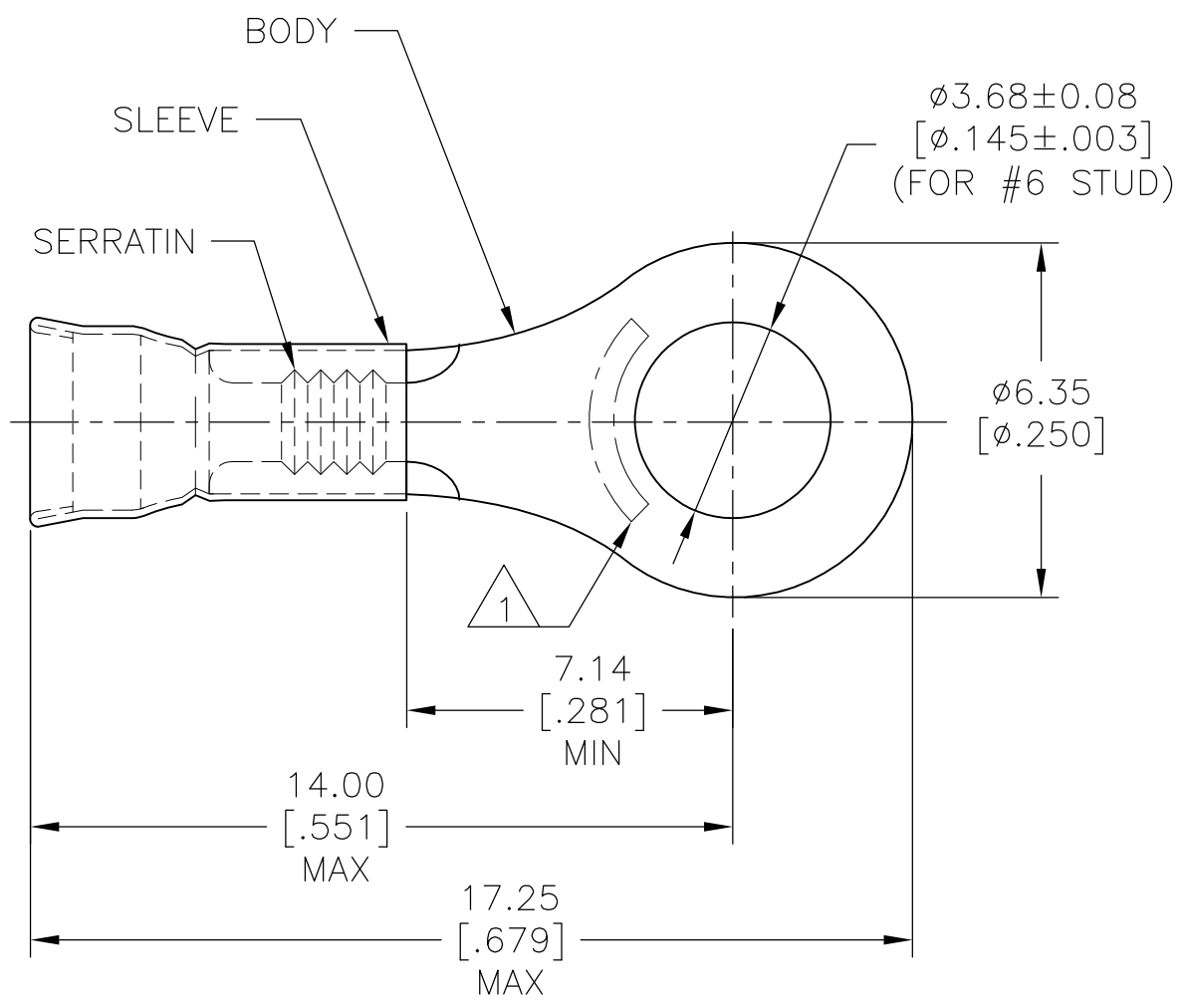


THIS DRAWING IS UNPUBLISHED. RELEASED FOR PUBLICATION
 © COPYRIGHT - By - ALL RIGHTS RESERVED.

REVISIONS					
P	LTR	DESCRIPTION	DATE	DWN	APVD
	B	REDRAWN PER 0720-0470-95	23JAN95	LO	ME
	B1	REVISED PER ECO-16-017419	15MAR2017	RS	DR



- 1 \triangle STAMP AMP LOCATE APPROX AS SHOWN.
- 2 WIRE INSUL DIA, $\phi 1.27 - 2.08$ [$\phi .050 - .082$].
- 3 TONGUE MATL THK, 0.46 ± 0.05 [$.018 \pm .002$].

1000	LOOSE PIECE	32861
QTY	PACKAGE TYPE	PART NO

AMP INCORPORATED CUSTOMER SERVICE SYSTEM		MAX RECOMMENDED OPERATING TEMPERATURE: 170°C [338°F]	THIS DRAWING IS A CONTROLLED DOCUMENT.		DWN L OLMEDA 23JAN95	TE Connectivity NAME TERMINAL, RING, DIAMOND GRIP, WIRE SIZE, 26-22 AWG				
FOR ADDITIONAL PRODUCT INFORMATION OR COPIES OF DRAWINGS AND TECHNICAL DOCUMENTS	PRODUCT INFORMATION CENTER 1-800-522-6752	VOLTAGE RATING: -	DIMENSIONS: mm [INCHES]	TOLERANCES UNLESS OTHERWISE SPECIFIED:	CHK M ELLIS 23JAN95					APVD S BORTNER 23JAN95
FOR APPLICATION TOOLING INFORMATION	TOOLING ASSISTANCE CENTER 1-800-722-1111	CIRCULAR MIL AREA: 0.10mm ² - 0.41mm ² [202-810] STRANDED WIRE			0 PLC ± - 1 PLC ± - 2 PLC ± 0.20 [.008] 3 PLC ± - 4 PLC ± - ANGLES ± -	FINISH	A3 00779		C-32861	-
FOR ORDER ENTRY	1-800-526-5142	MATERIAL BODY, CU, SLV, CU PER ASTM B152	TIN PLATE PER MIL-T-10727		WEIGHT -	CUSTOMER DRAWING		SCALE 6:1	SHEET 1 OF 1	REV B1

单击下面可查看定价，库存，交付和生命周期等信息

[>>TE Connectivity\(泰科\)](#)