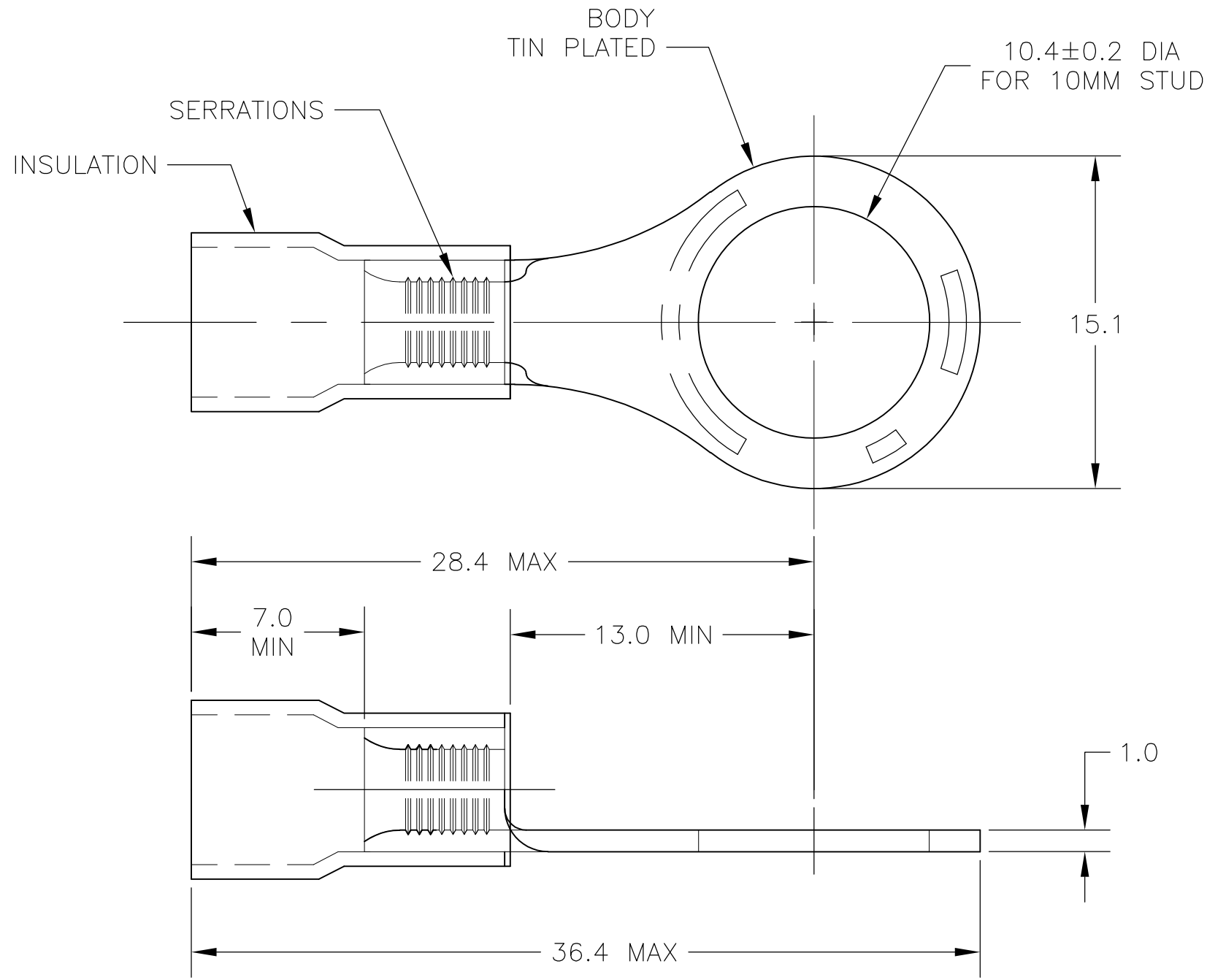


THIS DRAWING IS UNPUBLISHED. RELEASED FOR PUBLICATION
 © COPYRIGHT - BY TYCO ELECTRONICS CORPORATION. ALL RIGHTS RESERVED.

LOC	DIST	REVISIONS					
G	14	P	LTR	DESCRIPTION	DATE	DWN	APVD
		K2		REV PER ECR 08-007613	27MAR08	JR	TM



1 FOR 3.8 TO 6.3 WIRE INSULATION DIA.

160300
PART NO

THIS DRAWING IS A CONTROLLED DOCUMENT.		DWN	jr_ruth	01FEB06	Tyco Electronics Corporation Harrisburg, PA 17105-3608		
DIMENSIONS: MM -INCHES-		CHK	T MICHELUTTI	03OCT03	NAME		
TOLERANCES UNLESS OTHERWISE SPECIFIED:		APVD	T MICHELUTTI	03OCT03	PRODUCT SPEC		
0 PLC ± -		APPLICATION SPEC		TERM, PLASTI-GRIP, RING TONGUE, WIRE SIZE: 12-10			
1 PLC ± -		WEIGHT		SIZE			
2 PLC ± 0.15		CUSTOMER DRAWING		CAGE CODE			
3 PLC ± -		SCALE		DRAWING NO			
4 PLC ± -		SHEET		RESTRICTED TO			
ANGLES ± 1°		4:1		A3 00779			
MATERIAL		SHEET		G-160300			
FINISH		1 OF 1		REV			
		REV		K2			

单击下面可查看定价，库存，交付和生命周期等信息

[>>TE Connectivity\(泰科\)](#)