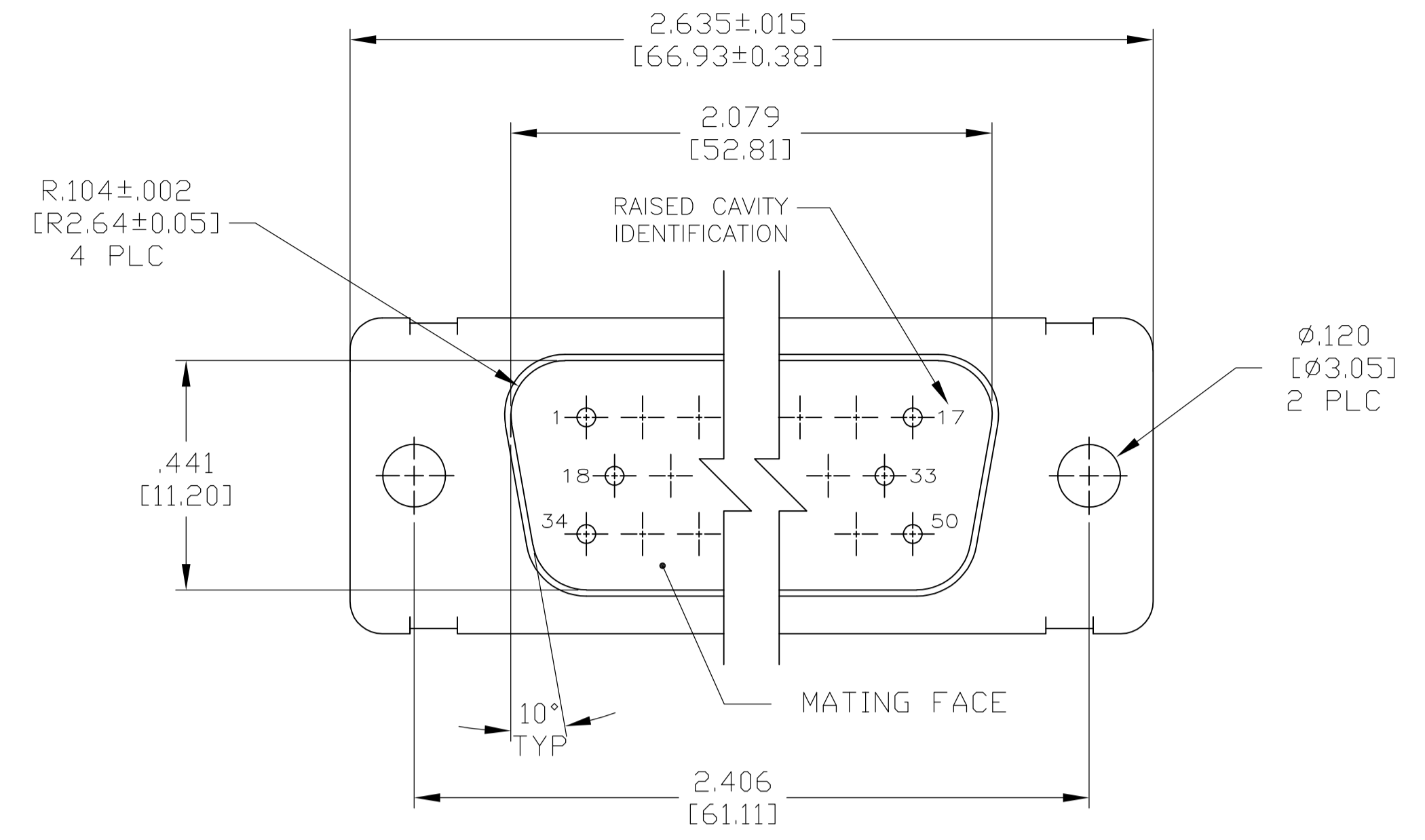
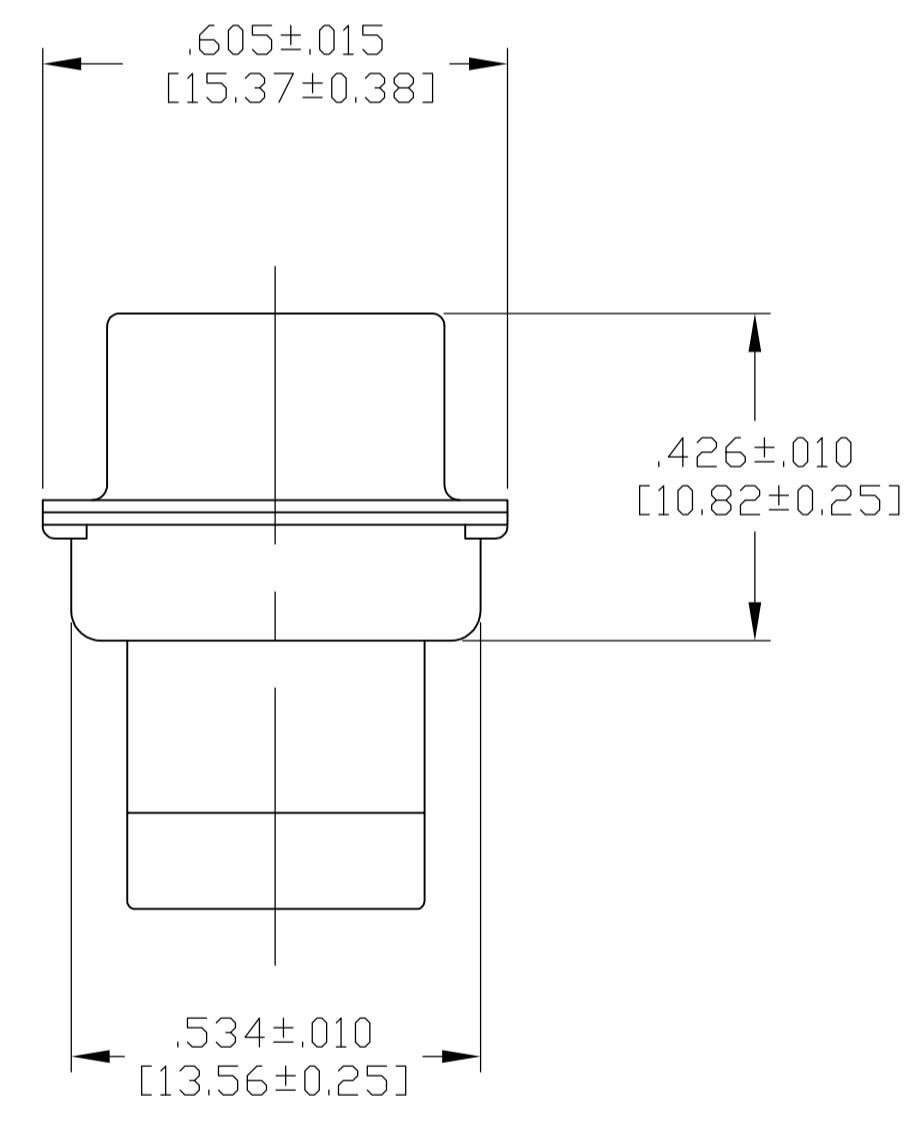
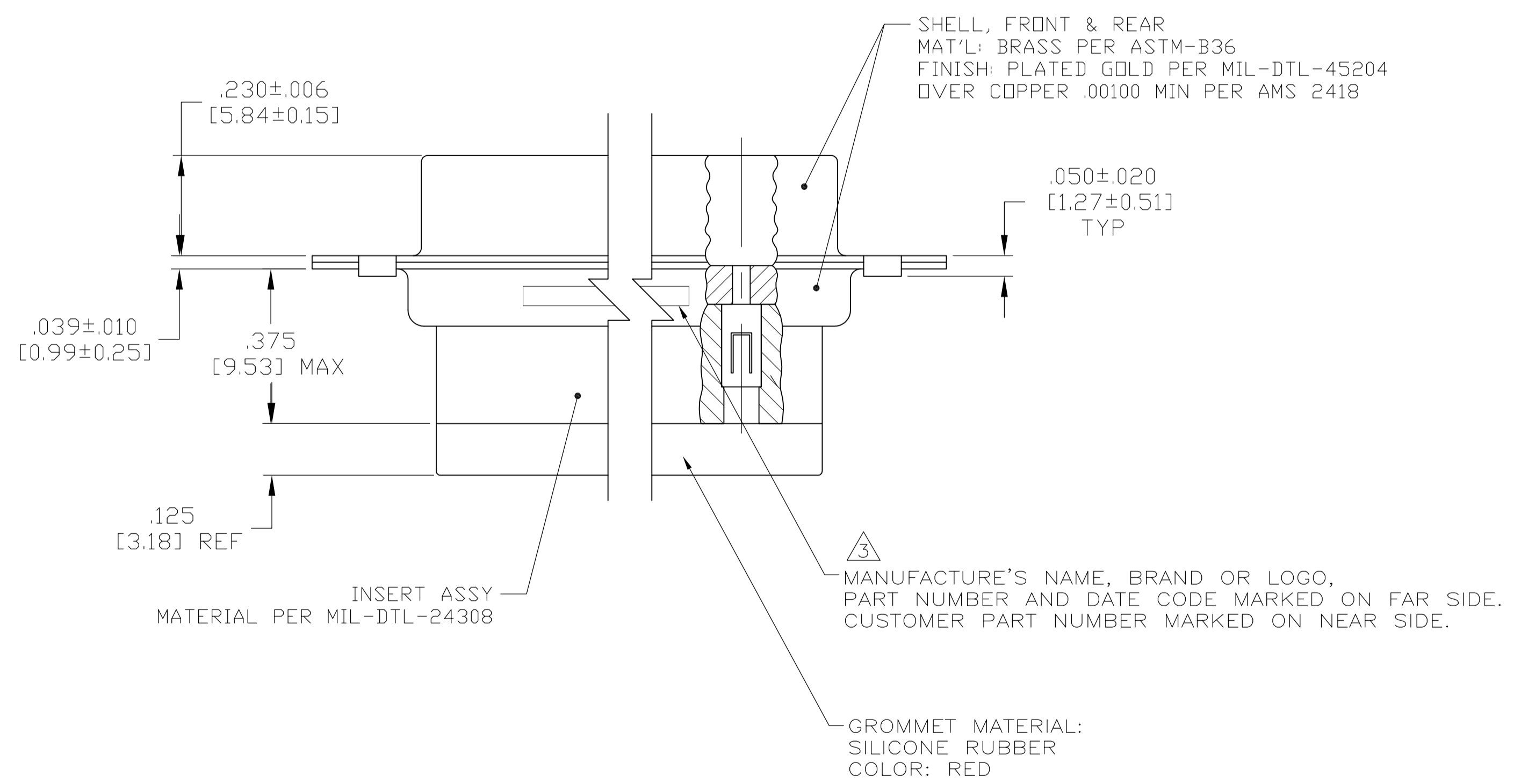


LOC		DIST		REVISIONS			
P	LTR	DESCRIPTION	DATE	DNW	APVD		
H		REV PER ECO 15-005910	5-20-15	CT	DM		



- THIS CONNECTOR ASSEMBLY IS SUPPLIED WITH Be Cu CONTACT RETENTION CLIPS INSTALLED IN THE INSERT ASSEMBLY.
- THIS CONNECTOR ASSEMBLY MATES WITH ANY PLUG CONNECTOR WITH THE SAME INSERT ARRANGEMENT AND DIMENSIONAL REQUIREMENTS PER MIL-C-24308.
- MARKED WITH .047 [1.19]-.062 [1.57] HIGH CHARACTERS. FAR SIDE REFERS TO THE WIDE SIDE OF THE KEYSTONE. NEAR SIDE REFERS TO THE NARROW SIDE OF THE KEYSTONE.
- MAXIMUM WIRE INSULATION TO BE USED WITH THIS CONNECTOR ASSEMBLY IS .054 [1.37] DIAMETER.
- SPECIAL REQUIREMENTS PER BDEING 1A01 DOCUMENT.
- BUILT TO ORDER, NO INVENTORY OF THIS PART NUMBER IS TO BE KEPT. SINGLE LOT DATE CODE REQUIRED.



REMARKS	CUSTOMER MARKING	PART NUMBER
5 6	1A01-030PHW	1-211642-1
6	A70323-12013-030	211642-8
--	---	211642-4
5 6	1A01-030PHA	211642-1

THIS DRAWING IS A CONTROLLED DOCUMENT.		DIN C.C.THOMAS 4-9-09		STE TE Connectivity																					
DIMENSIONS: INCHES		TOLERANCES UNLESS OTHERWISE SPECIFIED:		APVD R LEASE 4-9-09																					
<table border="1"> <tr><td>0 PLC</td><td>± -</td></tr> <tr><td>1 PLC</td><td>± -</td></tr> <tr><td>2 PLC</td><td>± -</td></tr> <tr><td>3 PLC</td><td>± .005 [0.13]</td></tr> <tr><td>4 PLC</td><td>± -</td></tr> <tr><td>ANGLES</td><td>± -</td></tr> </table>		0 PLC	± -	1 PLC	± -	2 PLC	± -	3 PLC	± .005 [0.13]	4 PLC	± -	ANGLES	± -	<table border="1"> <tr><td>SIZE</td><td>CAGE CODE</td><td>DRAWING NO</td><td>RESTRICTED TO</td></tr> <tr><td>A1</td><td>00779</td><td>211642</td><td>-</td></tr> </table>		SIZE	CAGE CODE	DRAWING NO	RESTRICTED TO	A1	00779	211642	-	CUSTOMER DRAWING	
0 PLC	± -																								
1 PLC	± -																								
2 PLC	± -																								
3 PLC	± .005 [0.13]																								
4 PLC	± -																								
ANGLES	± -																								
SIZE	CAGE CODE	DRAWING NO	RESTRICTED TO																						
A1	00779	211642	-																						
MATERIAL SEE CALLOUTS		FINISH SEE CALLOUTS		SCALE 4:1 SHEET 1 OF 1 REV H																					

单击下面可查看定价，库存，交付和生命周期等信息

[>>TE Connectivity\(泰科\)](#)