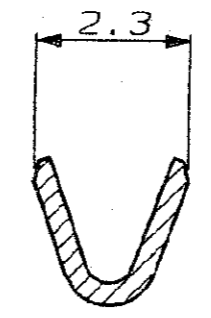
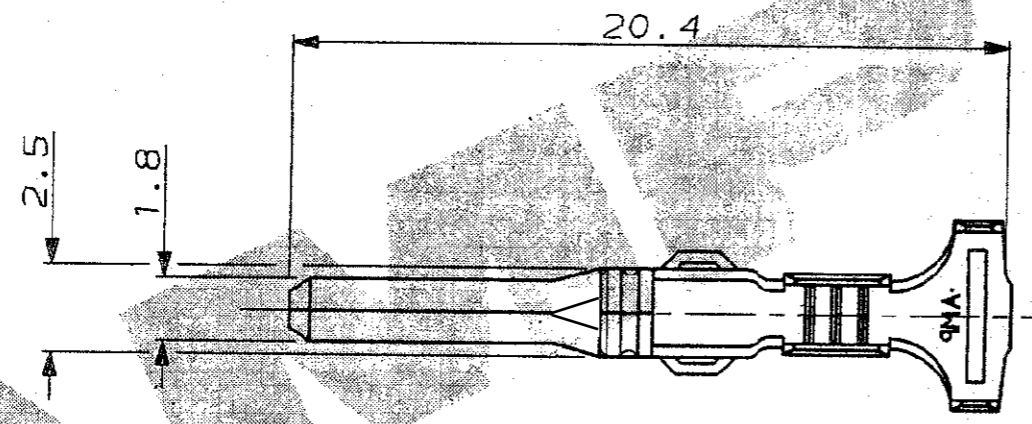


C345809

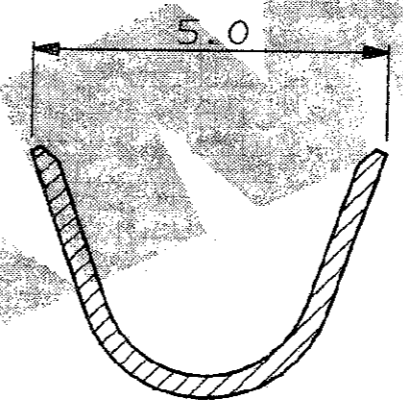
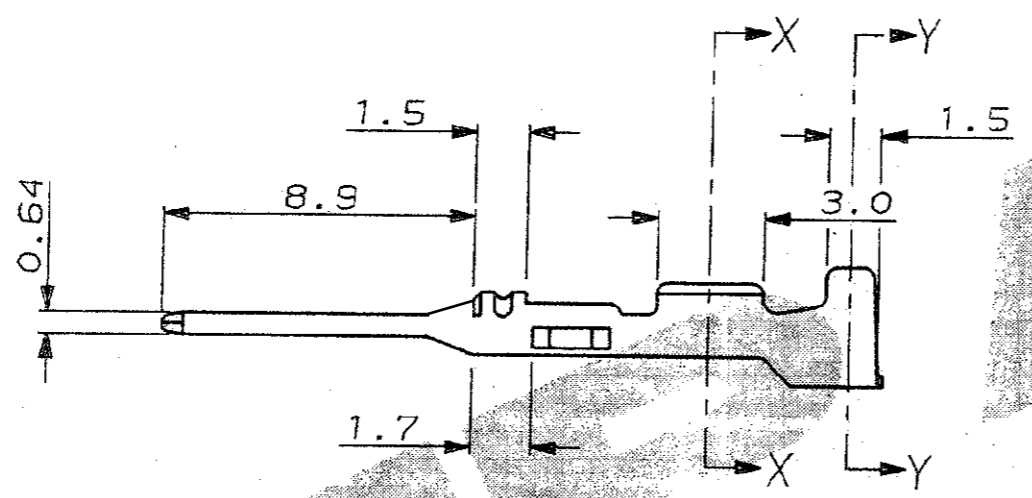
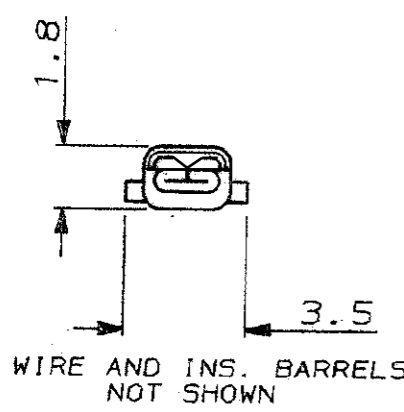
C.A.D. FILE CODE

DO NOT SCALE

DIMENSIONS IN MM.



SECTION X-X
(SCALE: 10:1)



SECTION Y-Y
(GROOVE NOT SHOWN)
(SCALE: 10:1)

WIRE RANGE: 0.2 TO 0.5 mm²
FOR SEALED AND UNSEALED APPLICATIONS, SINGLE WIRES ONLY MUST BE USED.

INSULATION RANGE:
FOR UNSEALED APPLICATIONS, WIRES OF 1.1 TO 1.8 mm INSULATION DIA. MAY BE USED.
FOR SEALED APPLICATIONS, ONLY WIRES OF 1.6 TO 1.8 mm INS. DIA. MAY BE USED WITH SEAL PN. 345791-1.

PRE-TINNED		BRASS		345809-1	
FINISH		MATERIAL		PART NUMBER	
CUSTOMER DWG FOR REFERENCE ONLY		© COPYRIGHT 1993 BY AMP OF GREAT BRITAIN LTD. ALL INTERNATIONAL RIGHTS RESERVED. ALL PRODUCTS MAY BE COVERED BY BRITISH AND FOREIGN PATENTS AND/OR PATENTS PENDING.		RELEASED FOR PUBLICATION 02 APR 1993	
-	-	TOLERANCES UNLESS OTHERWISE STATED DEC ± 0.5 ANGLES ± 1°		DR. R.J.S. 2.4.93 CH. R.R. <i>Russell</i> APP. J.P.	
A1 SEE ECR ECR-18-012032 02AUG2018		NAME .070 TAB ECONOSEAL 3		TE Connectivity	
A RELEASED 6800-004-01 TL D2-D1		SCALE	LOC	SIZE	DWG. No.
1 PRELIM. ISSUE E800-004-01-93 2.4.93		5/1	E	A3	C345809
REV	MODIFICATION	CHANGE No.	DATE	REV	SHEET
				A1	1/1

单击下面可查看定价，库存，交付和生命周期等信息

[>>TE Connectivity\(泰科\)](#)