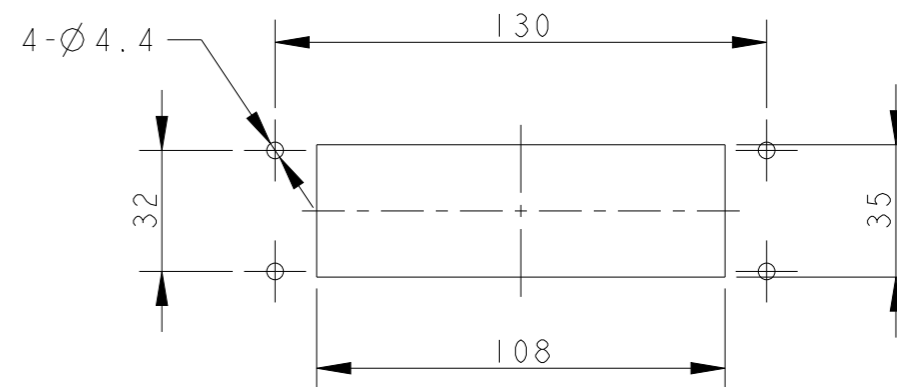
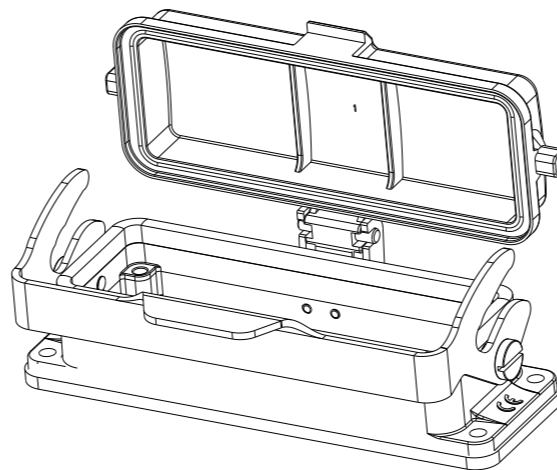
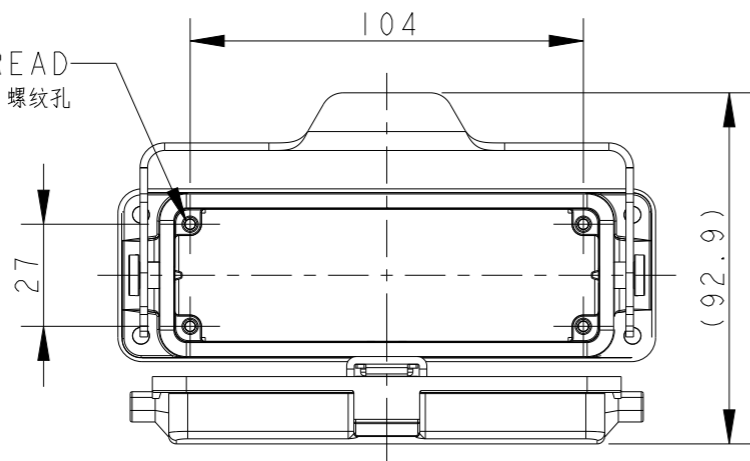


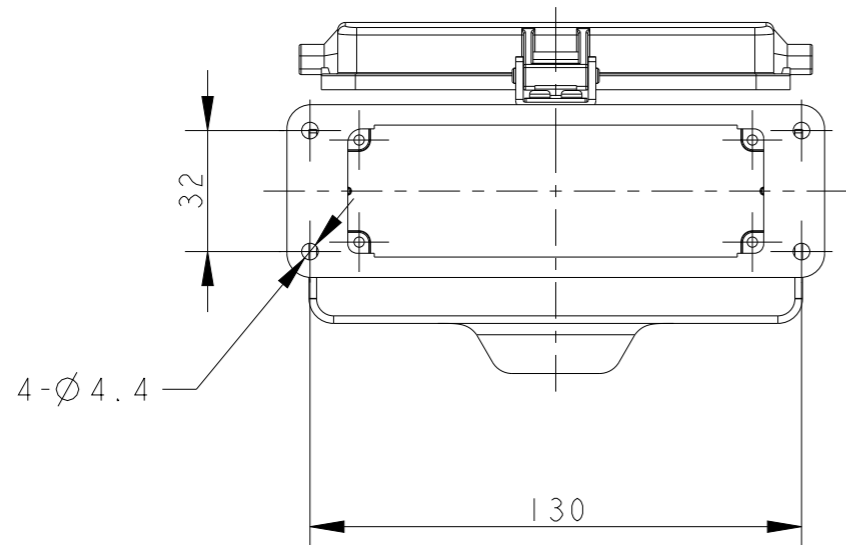
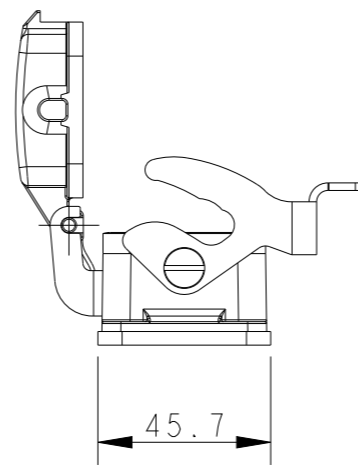
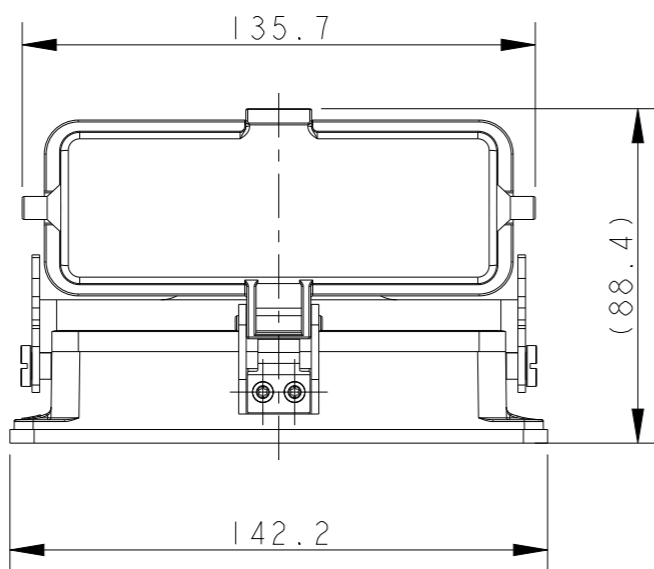
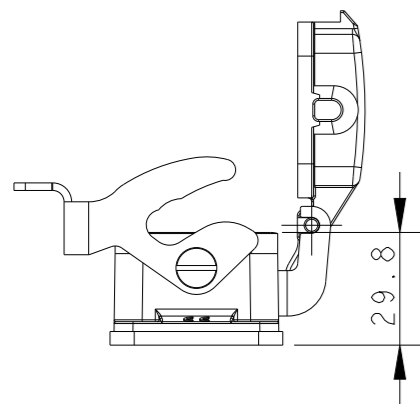
REVISIONS

P	LTR	DESCRIPTION	DATE	DWN	APVD
A		INITIAL RELEASE	18JUN2015	DL	CW
B		ECR-20-014876	23JUL2021	WQR	CW

4X M3 THREAD
4X M3 螺纹孔



PANNEL CUT OUT



NOTES:

- 1. TECHNICAL CHARACTERISTICS:
 BODY MATERIAL: DIE CAST ALUMINIUM ALLOY
 SURFACE TREATMENT: POWDER-COATED, GRAY
 DEGREE OF PROTECTION: IP65 (MATED)

注释:

- 1. 技术参数:
 主体材料: 铝合金
 表面处理: 粉末喷涂, 灰色
 防护等级: IP65(配合)

T1510243000-000	H24B-AD-LB
ASSEMBLY PART NUMBER	ASSEMBLY PART DESCRIPTION

THIS DRAWING IS A CONTROLLED DOCUMENT.

DIMENSIONS: mm	TOLERANCES UNLESS OTHERWISE SPECIFIED: 0 PLC ±- 1 PLC ±- 2 PLC ±- 3 PLC ±- 4 PLC ±- ANGLES ±- FINISH -	MATERIAL TBD
-------------------	---	-----------------

DWN	DAVID LI	18JUN2015
CHK	CHRIS WANG	18JUN2015
APVD	XU XIANG	18JUN2015
PRODUCT SPEC	108-137013	
APPLICATION SPEC	114-137013	
WEIGHT	-	
CUSTOMER DRAWING		

		TE Connectivity	
		NAME H24B-AD-LB	
SIZE	CAGE CODE	DRAWING NO	RESTRICTED TO
A3	-	©-T1510243000000	
SCALE		SHEET	REV
1:2		1 OF 1	B

单击下面可查看定价，库存，交付和生命周期等信息

[>>TE Connectivity\(泰科\)](#)