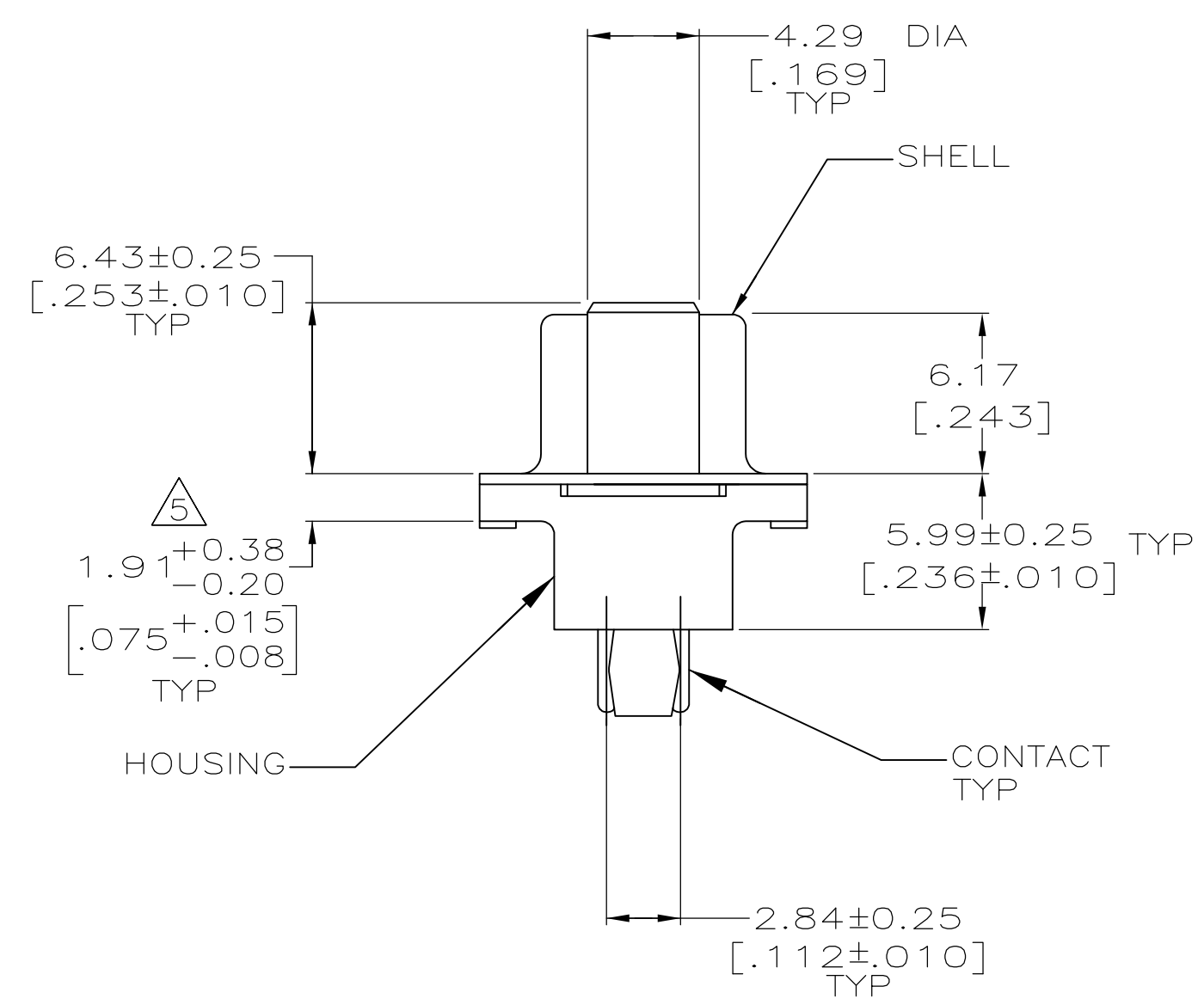
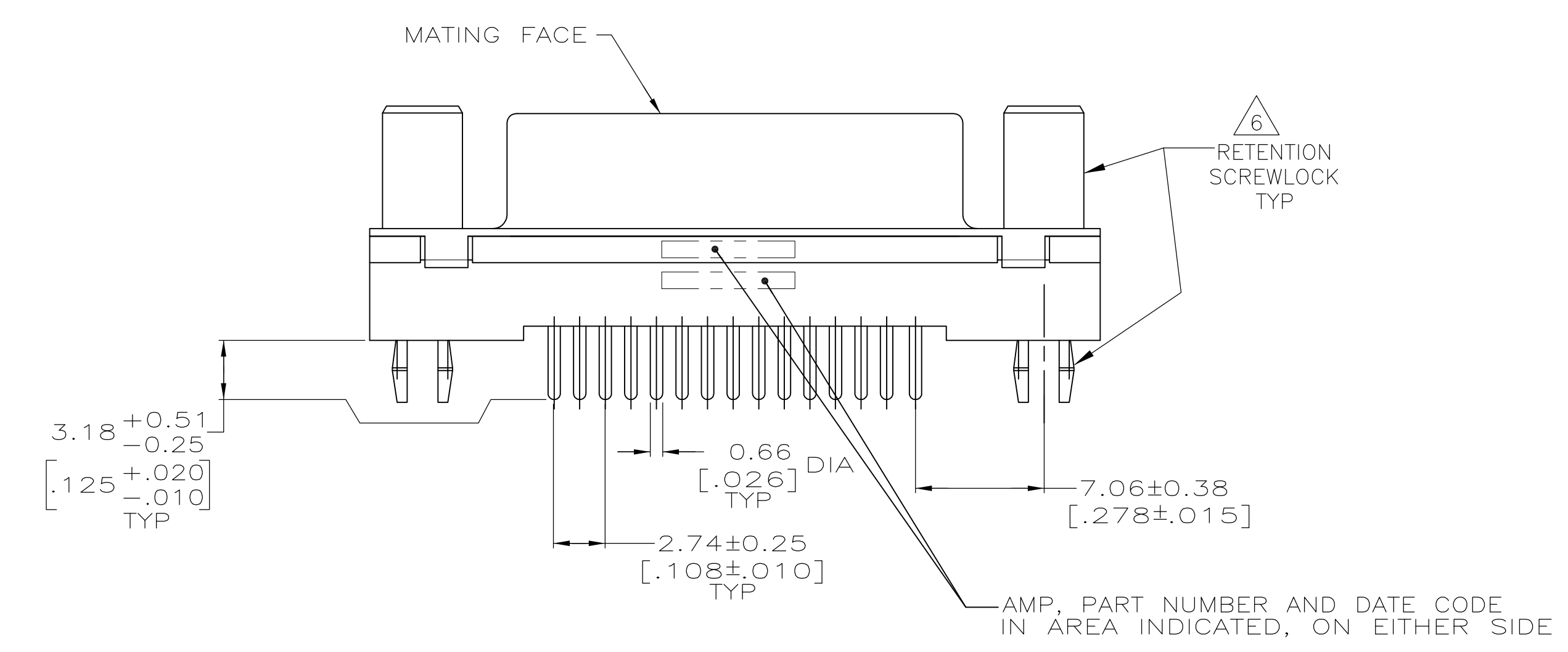
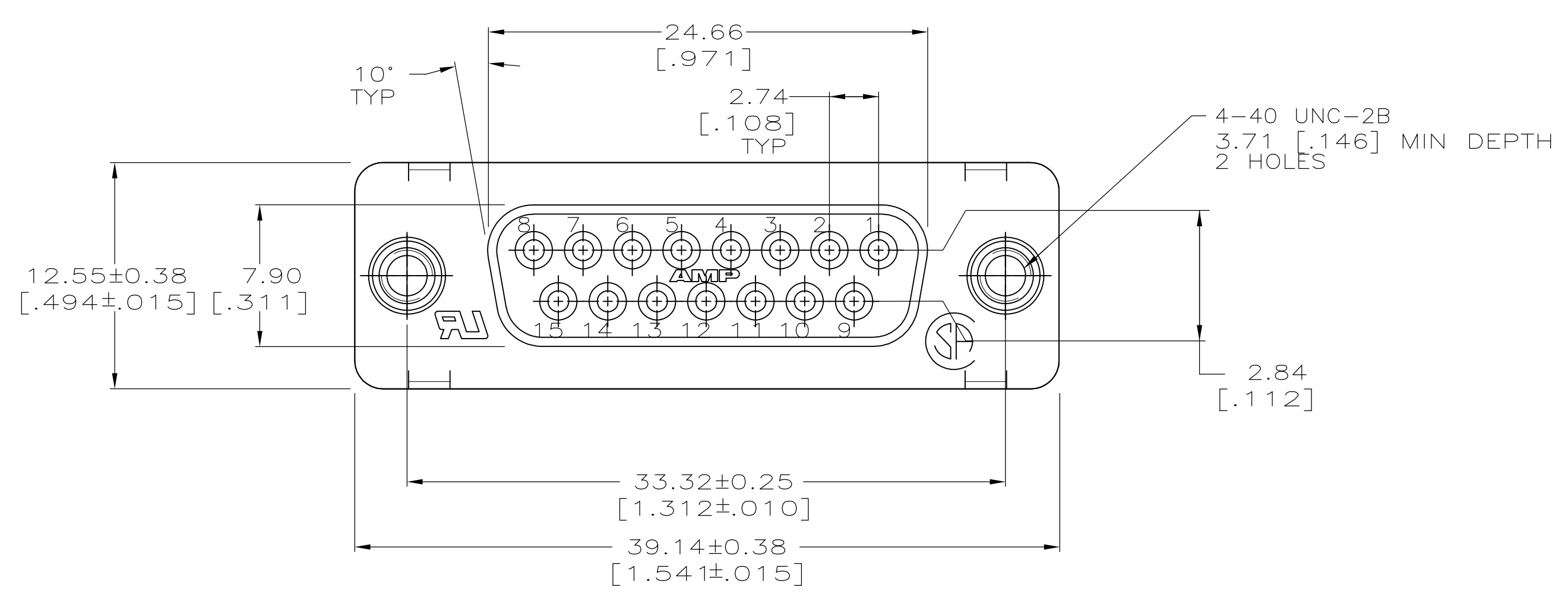
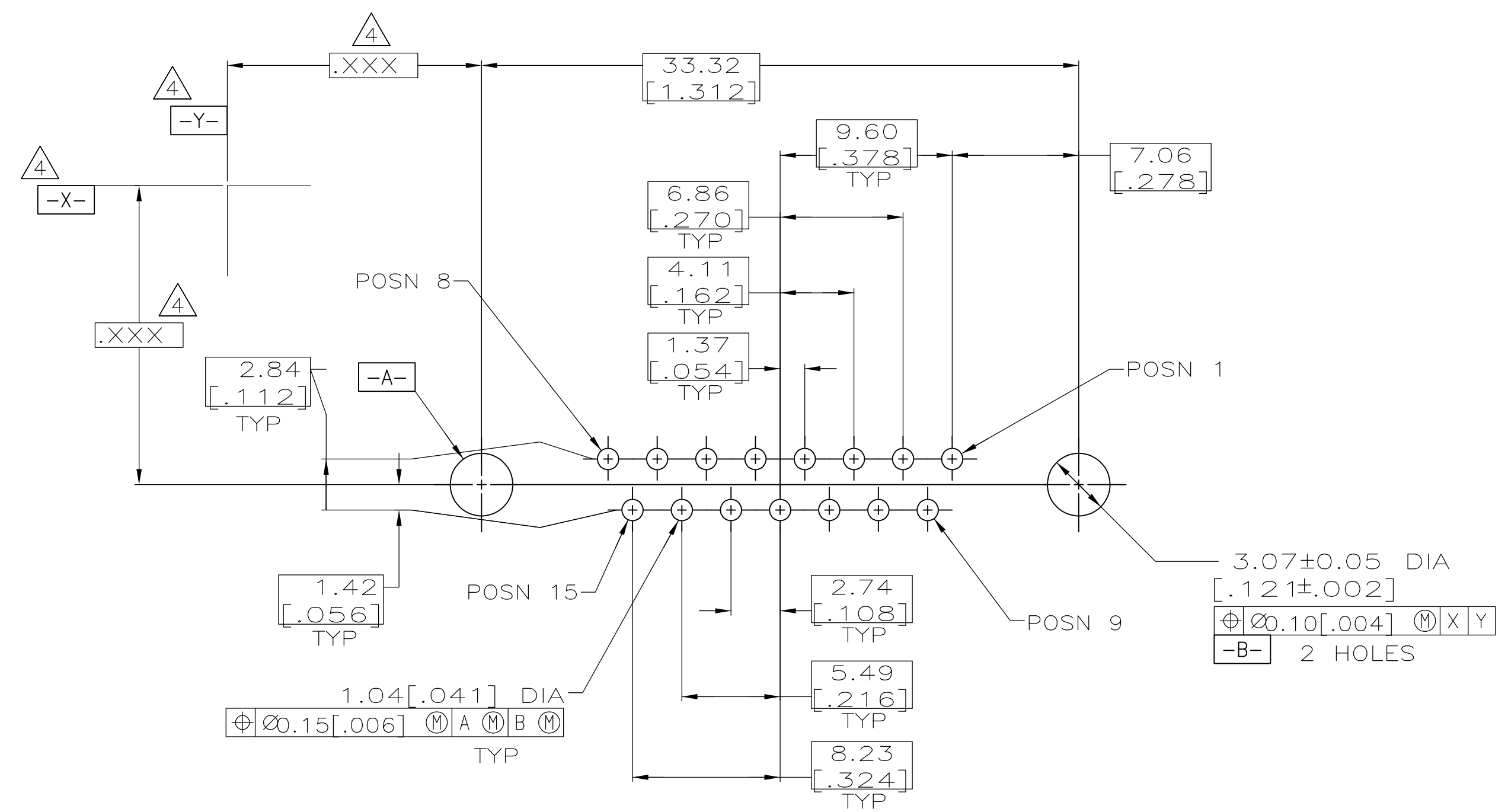


LOC		DIST		REVISIONS			
P	LTR	DESCRIPTION	DATE	DMN	APVD		
D		REVISED PER ECO-09-024765	14JAN2010	CR	SB		



- △ HOUSING: POLYESTER, UL 94V-0 RATED, BLACK.
- CONTACT: PHOSPHOR BRONZE.
- SCREWLOCK: BRASS.
- SHELL: CARBON STEEL.
- △ SHELL: 5.08um [.000200] MIN TIN OVER 2.54um [.000100] MIN COPPER.
- CONTACT: 0.76um [.000030] MIN GOLD FOR A LENGTH OF 1.40 [.055] MIN FROM MATING END, 2.54um [.000100] MIN TIN OR TIN-LEAD ON OPPOSITE END, BOTH OVER 0.76um [.000030] MIN NICKEL.
- SCREWLOCK: 2.54um [.000100] MIN TIN-LEAD OVER 1.27um [.000050] MIN NICKEL OVER COPPER FLASH.
- 3. NOTE DELETED.
- △ DATUMS AND BASIC DIMENSIONS ESTABLISHED BY CUSTOMER.
- △ 2.79[.110] MAX IN SHELL TAB CLINCH AREAS.
- △ ORIENTATION IS OPTIONAL AND MAY NOT BE AS SHOWN.



RECOMMENDED PC BOARD MOUNTING DIMENSIONS

787683-1
 PART NUMBER

THIS DRAWING IS A CONTROLLED DOCUMENT.		DMN C. OBERMAN 12 FEB 96	Tyco Electronics Corporation Harrisburg, PA 17105-3608
DIMENSIONS: mm [INCHES]	TOLERANCES UNLESS OTHERWISE SPECIFIED:	CHK R. STONE 15 FEB 96	NAME B. TAYLOR 15 FEB 96
0. PLC ± -	1. PLC ± -	PRODUCT SPEC 108-40025	APPLICATION SPEC 114-40023
2. PLC ± 0.13 [.005]	3. PLC ± -	SIZE A1	SCALE 4:1
4. PLC ± -	ANGLES ± -	WEIGHT -	RESTRICTED TO -
MATERIAL △	FINISH △	CUSTOMER DRAWING	SCALE 4:1 SHEET 1 OF 1 REV D

单击下面可查看定价，库存，交付和生命周期等信息

[>>TE Connectivity\(泰科\)](#)