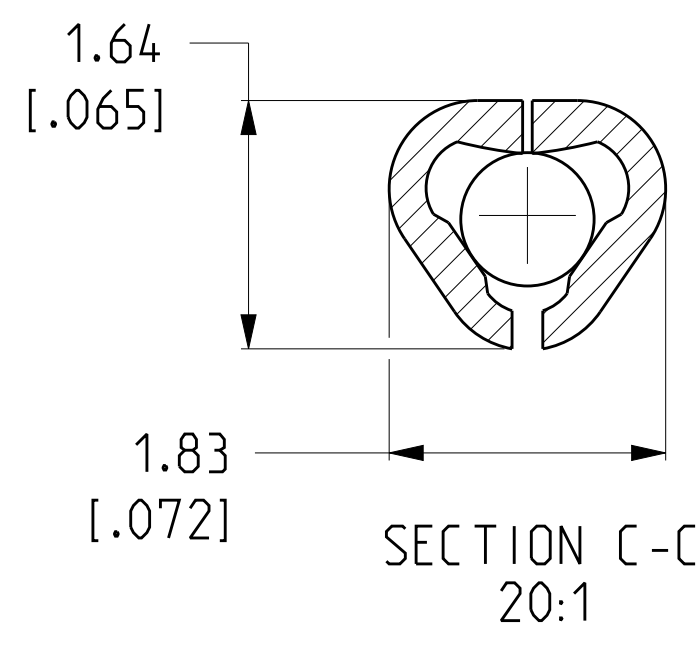
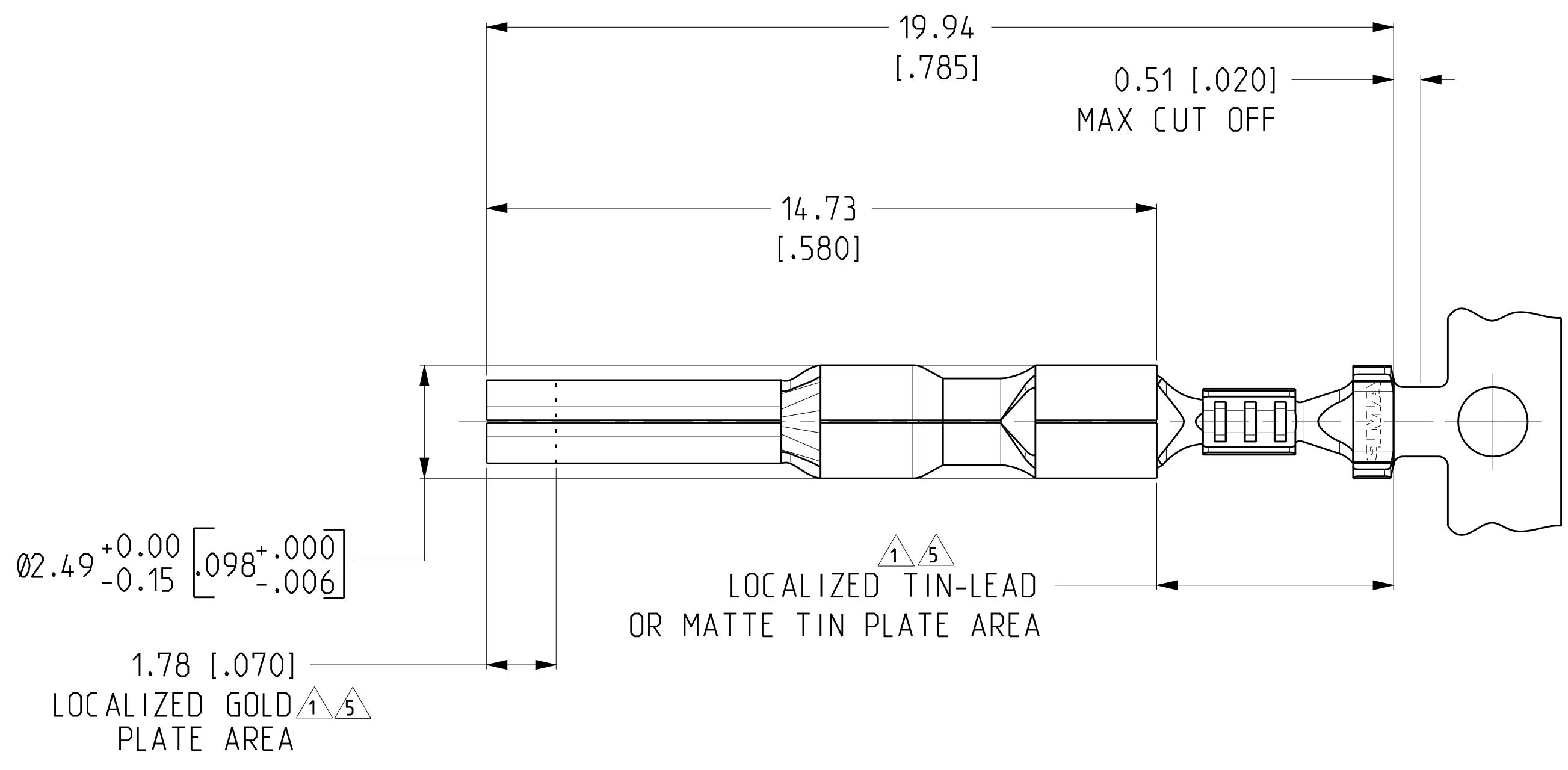
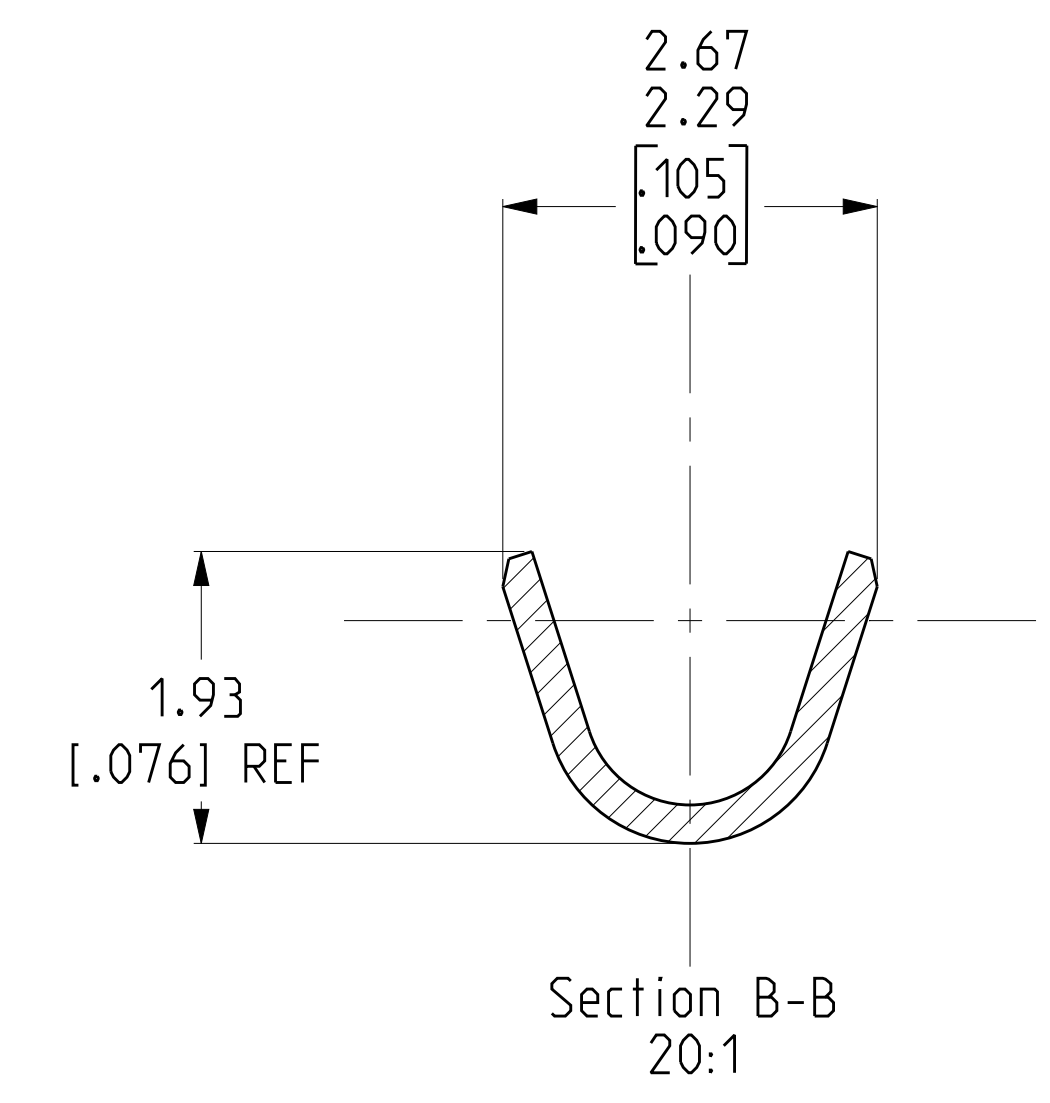
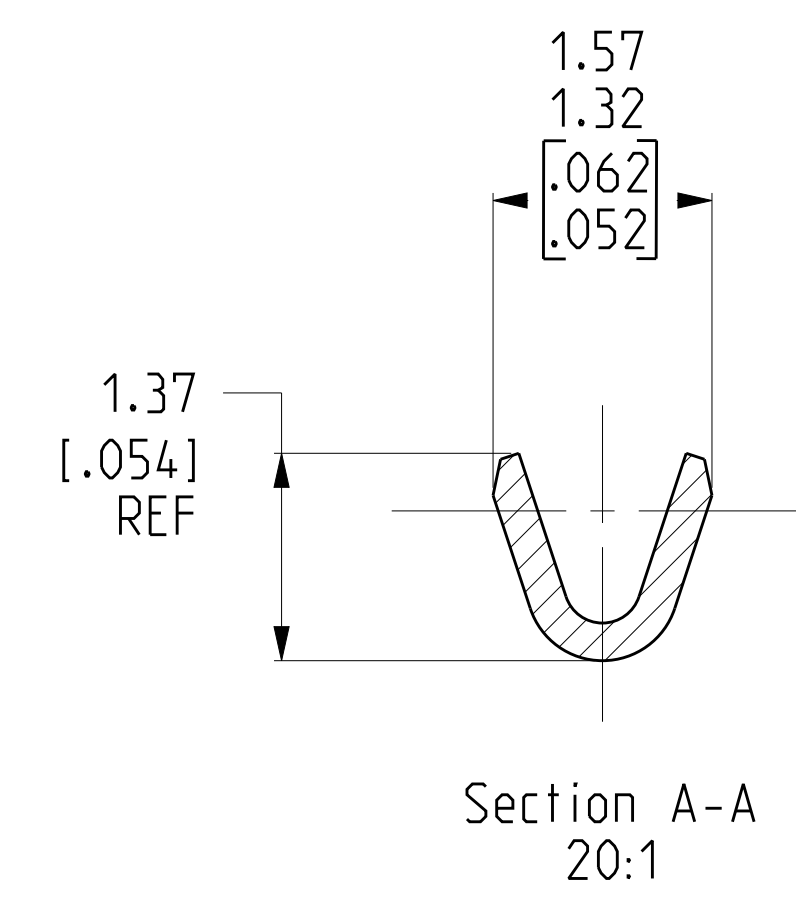
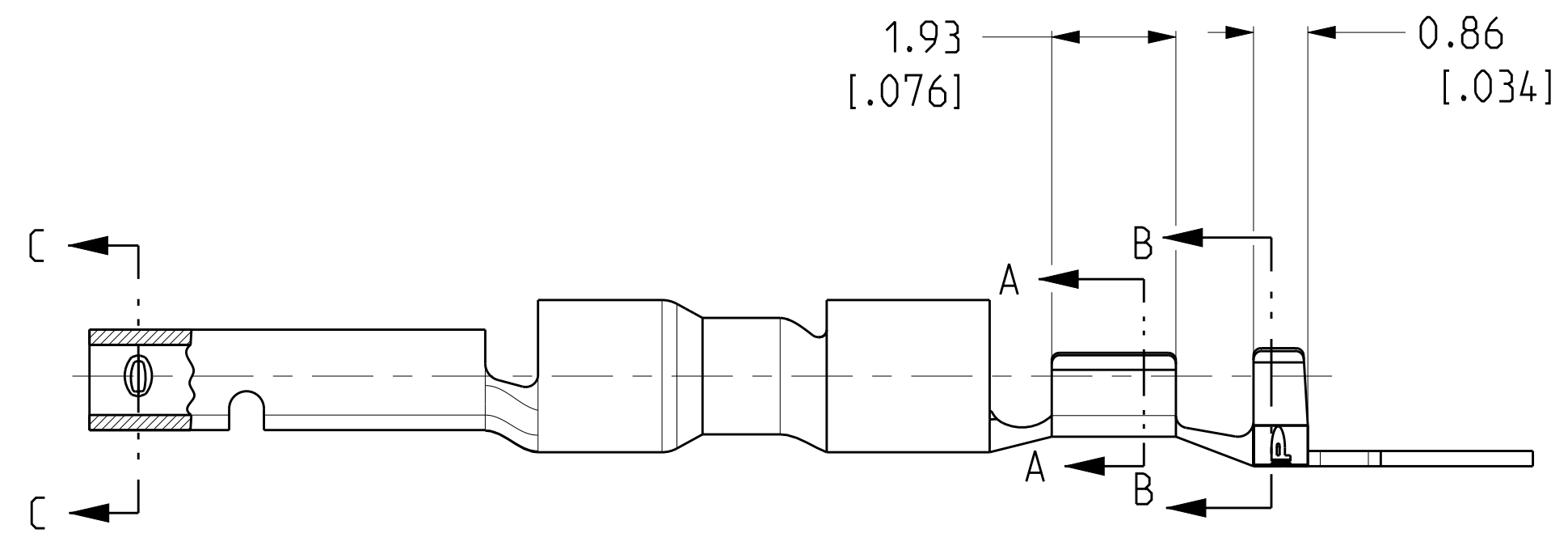


REVISIONS				
P	LTR	DESCRIPTION	DATE	APPD
H		REDRAWN PER ECR-17-012999	14NOV2018	BDA SG
H1		REVISED PER ECR-20-100491	07OCT2020	PC SW

- 1 0.00076 [.000030] MIN GOLD IN LOCALIZED GOLD PLATE AREA AND 0.00254 [.000100] MIN BRIGHT TIN-LEAD IN LOCALIZED TIN-LEAD PLATE AREA OVER 0.0013 [.000050] MIN NICKEL.
- 2 WIRE RANGE: 0.05-0.15MM (30-26 AWG).
- 3 INSULATION RANGE: 0.89-1.27[.035-.050] DIA.
- 4 DIMENSIONS IN BRACKETS ARE IN INCHES.
- 5 0.00076 [.000030] MIN GOLD IN LOCALIZED GOLD PLATE AREA AND 0.00254 [.000100] MIN MATTE TIN IN LOCALIZED TIN PLATE AREA OVER 0.0013 [.000050] MIN NICKEL.



FINISH	MATERIAL	PART NUMBER
5	0.25[.010] BRASS	1-794217-0
1	0.25[.010] BRASS	794217-3
PRE TIN	0.25[.010] BRASS	794217-1

THIS DRAWING IS A CONTROLLED DOCUMENT.

DIMENSIONS: mm[INCHES]	TOLERANCES UNLESS OTHERWISE SPECIFIED:	DWN R. VESTAL 1-15-97	CHK R. SWING 1-15-97	APVD P. SWING	NAME SOCKET, MINI UNIVERSAL MATE-N-LOK™2
0 PLC ±	1 PLC ±	2 PLC ±	3 PLC ±	4 PLC ±	APPLN SPEC
ANGLES ±	FINISH ±	WEIGHT -	SIZE A1	CAGE CODE 00779	DRAWING NO. 794217
MATERIAL SEE TABLE	SEE TABLE	CUSTOMER DRAWING	SCALE 5:1	SHEET 1 OF 1	REV H1

TE Connectivity

单击下面可查看定价，库存，交付和生命周期等信息

[>>TE Connectivity\(泰科\)](#)