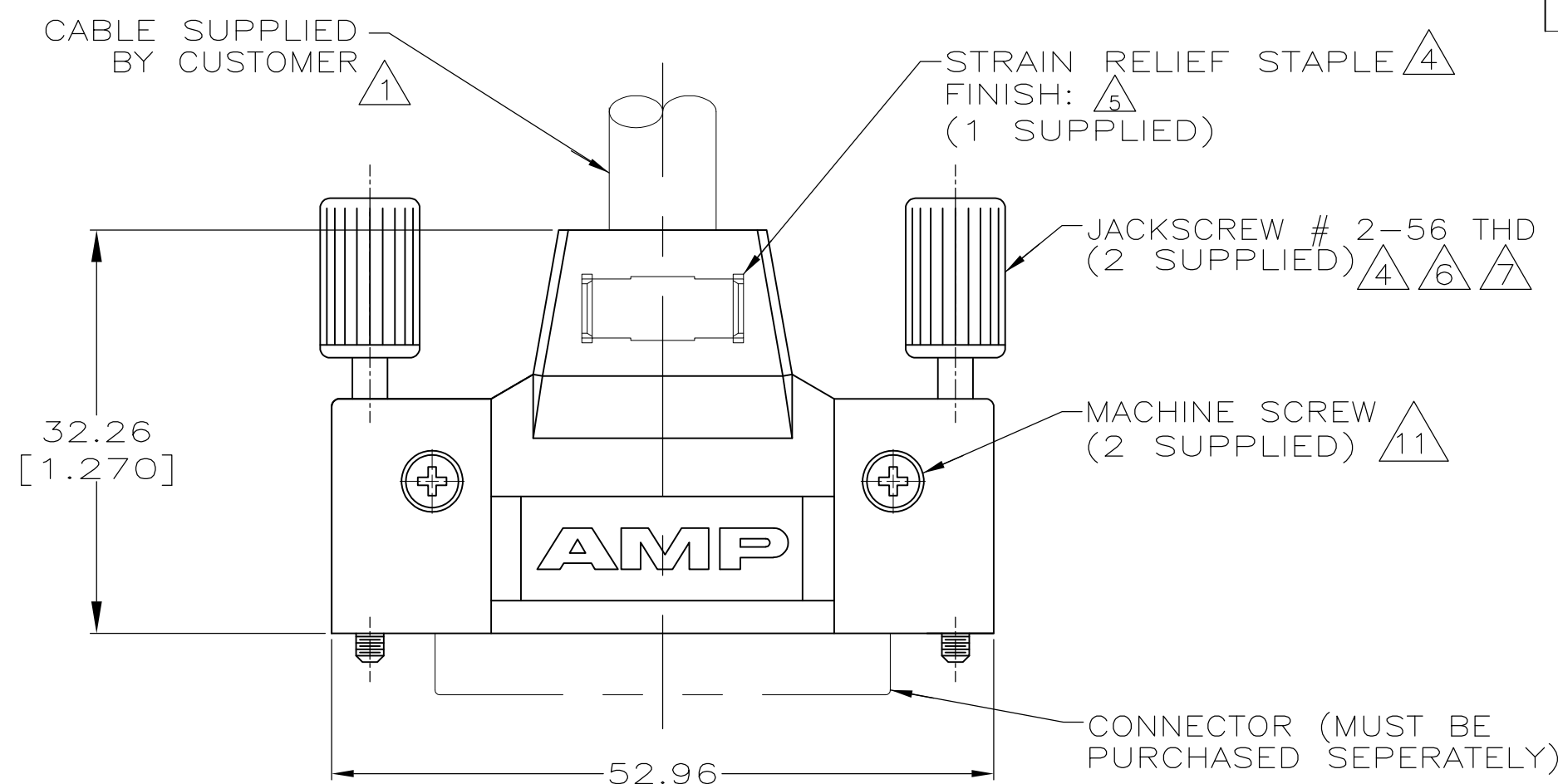
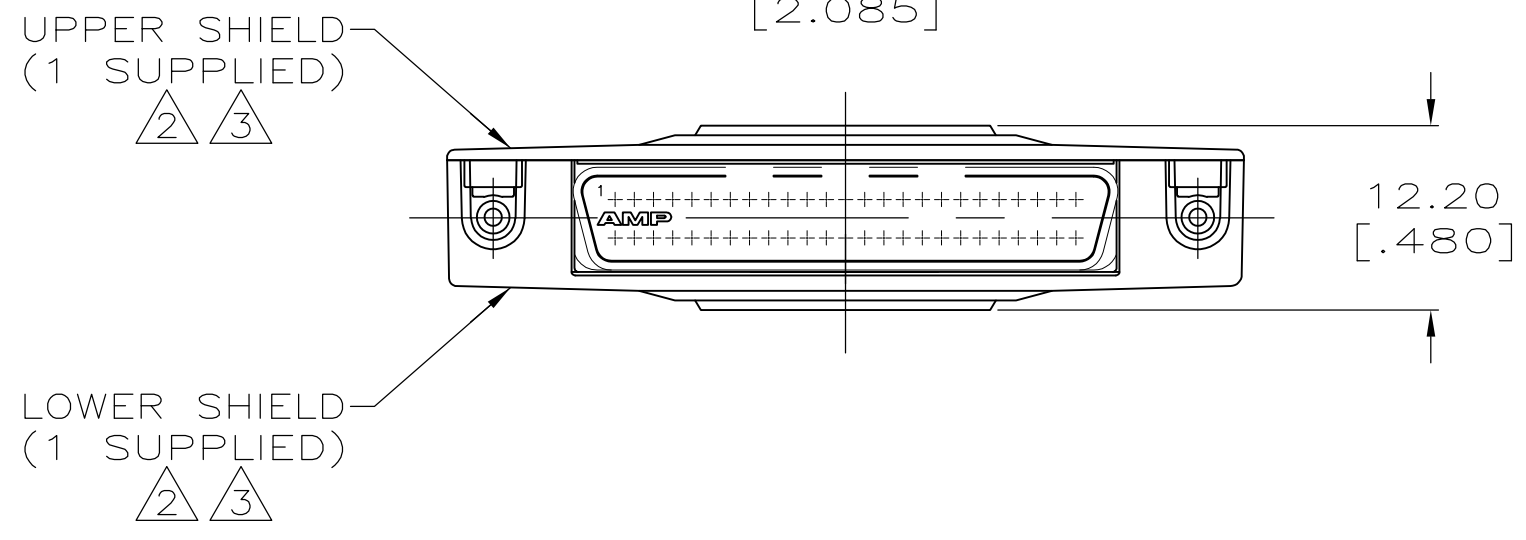


THIS DRAWING IS UNPUBLISHED. RELEASED FOR PUBLICATION
 © COPYRIGHT - By - ALL RIGHTS RESERVED.

LOC	DIST	REVISIONS					
GP	00	P	LTR	DESCRIPTION	DATE	DWN	APVD
		R		REVISED PER ECO-11-012218	14JUL2011	CJV	SLB



- 1 10.16[.400] MAX CABLE DIA.
- 2 ZINC.
- 3 NICKEL PLATED.
- 4 STEEL.
- 5 BRIGHT TIN PLATED.
- 6 POLYPROPYLENE OR NYLON, UL94V-0 RATED, BLACK.
- 7 BLACK ZINC PLATED.
- 8 PARTS PACKAGED AS A UNIT KIT.
- 9 INDIVIDUALLY BULK PACKAGED.
- 10 OBSOLETE PARTS: OBSOLETE CIS STREAMLINING PER D.RENAUD/D.SINISI.
- 11 STAINLESS STEEL.



10 OBSOLETE	9	-5749080-2-
	8	5749080-1
	PACKAGING	PART NO.

**COPYRIGHT 2005
 TE CONNECTIVITY CORP
 ALL RIGHTS RESERVED**

THIS DRAWING IS A CONTROLLED DOCUMENT.		DWN G.PETERS 24aug05	STE TE Connectivity	
DIMENSIONS: INCHES		CHK S.SHUEY 24AUG05		
TOLERANCES UNLESS OTHERWISE SPECIFIED:		APVD M.WALMSLEY 24AUG05	NAME	
0 PLC ± -		PRODUCT SPEC	BACKSHELLS WITH MALE JACKSCREWS, 50 POSITION AMPLIMITE .050 Series	
1 PLC ± -		APPLICATION SPEC	SIZE	CAGE CODE
2 PLC ± 0.38 [.015]		WEIGHT -	A3	00779
3 PLC ± -		CUSTOMER DRAWING	DRAWING NO	RESTRICTED TO
4 PLC ± -			C=5749080	
ANGLES ± -			SCALE 2:1	SHEET 1 OF 1
MATERIAL STAPLE FINISH	FINISH		REV R	
PACKAGING				

单击下面可查看定价，库存，交付和生命周期等信息

[>>TE Connectivity\(泰科\)](#)