

4

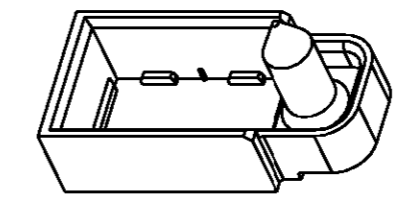
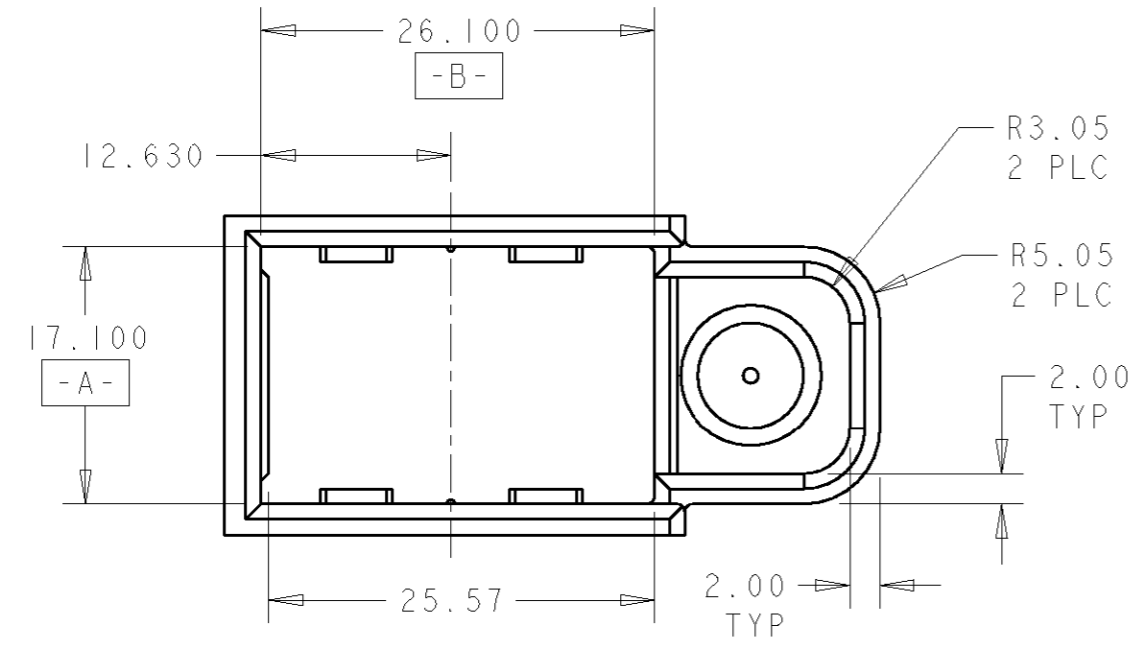
3

2

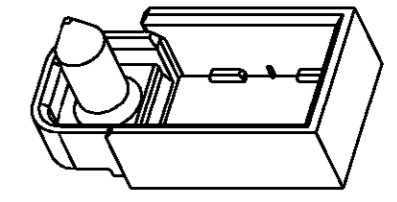
1

THIS DRAWING IS UNPUBLISHED. RELEASED FOR PUBLICATION 20  
 © COPYRIGHT 20 BY TYCO ELECTRONICS CORPORATION. ALL RIGHTS RESERVED.

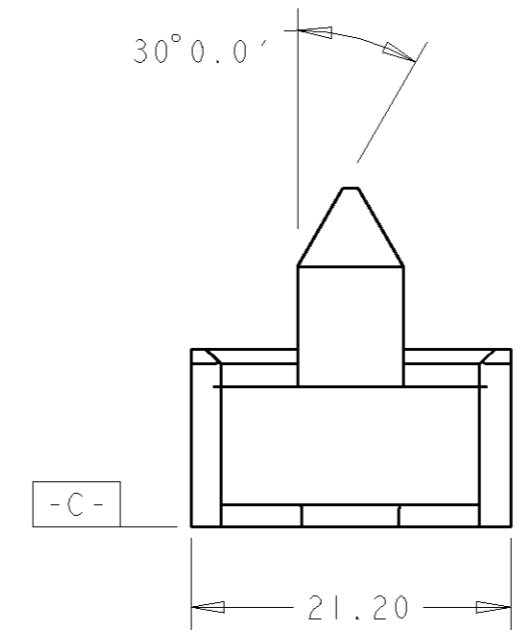
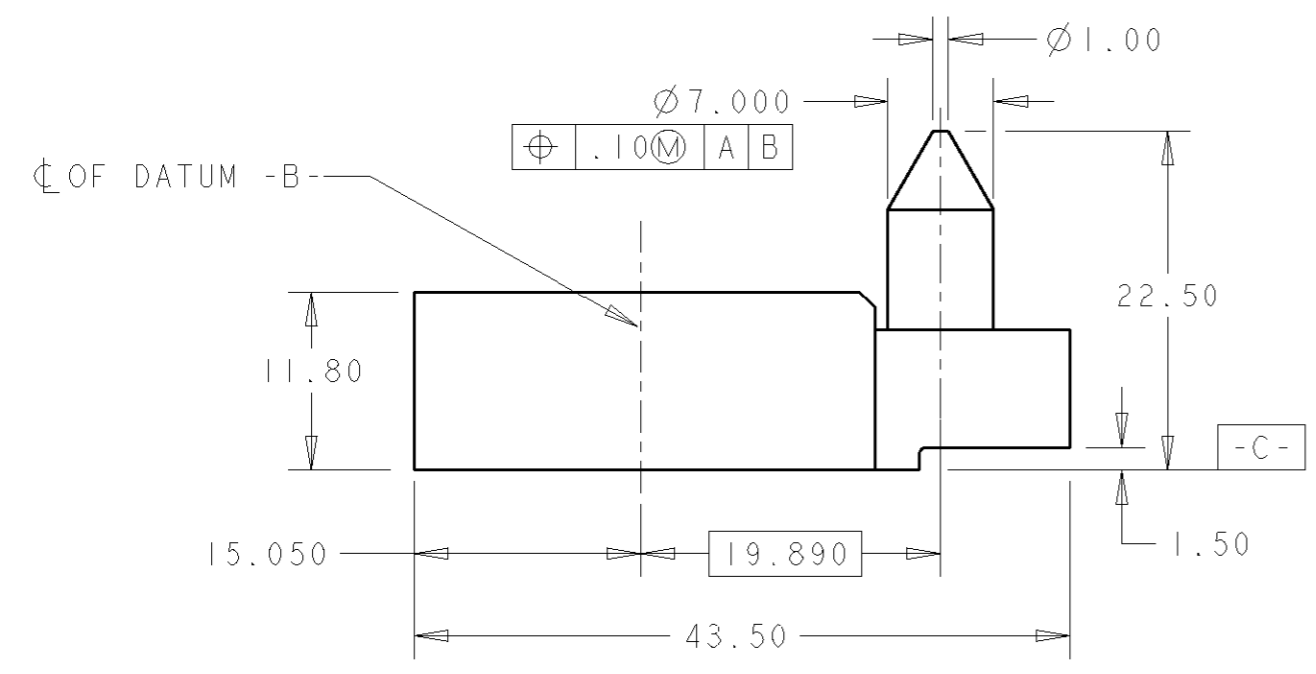
LOC	DIST	REVISIONS				
P	LTR	DESCRIPTION	DATE	DWN	APVD	
AD	47	B	REV PER EC OUIB-0193-01	18JUL2001	BC	RP



SCALE 1:1



SCALE 1:1



THIS PRODUCT HAS NOT COMPLETED VALIDATION TESTING

NOTES:

- 1 MATERIAL: VALOX 420 SEO, COLOR: BLACK
- 2. SHROUD APPLIED TO PCB WITH 60 POSITION, 6 ROW VERTICAL HS3 HEADER

<small>THIS DRAWING IS A CONTROLLED DOCUMENT FOR TYCO ELECTRONICS CORPORATION. IT IS SUBJECT TO CHANGE AND THE CONTROLLING ENGINEERING ORGANIZATION SHOULD BE CONTACTED FOR THE LATEST REVISION.</small>		DWN <b>BRIAN COSTELLO</b> 11APR2001 CHK <b>RA PATTERSON</b> 23APR01 APVD - PRODUCT SPEC - APPLICATION SPEC - WEIGHT -		<b>tyco Electronics</b> Tyco Electronics Harrisburg, PA 17105-3608	
DIMENSIONS: mm 		TOLERANCES UNLESS OTHERWISE SPECIFIED: 0 PLC ±- 1 PLC ±0.1 2 PLC ±0.05 3 PLC ±0.005 4 PLC ±0.0001 ANGLES ±-		NAME <b>GUIDE SHROUD FOR 60 POSITION, 6 ROW HS3 VERTICAL HEADER</b>	
MATERIAL  FINISH -		CUSTOMER DRAWING		SIZE <b>A3</b> CAGE CODE <b>00779</b> DRAWING NO <b>C-120866</b> RESTRICTED TO -	
SCALE <b>2:1</b> SHEET <b>1</b> OF <b>1</b> REV <b>B</b>					

单击下面可查看定价，库存，交付和生命周期等信息

[>>TE Connectivity\(泰科\)](#)