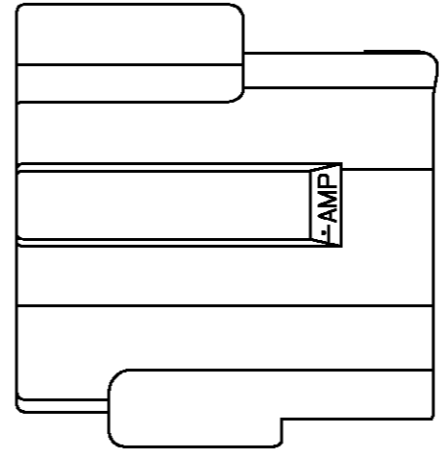
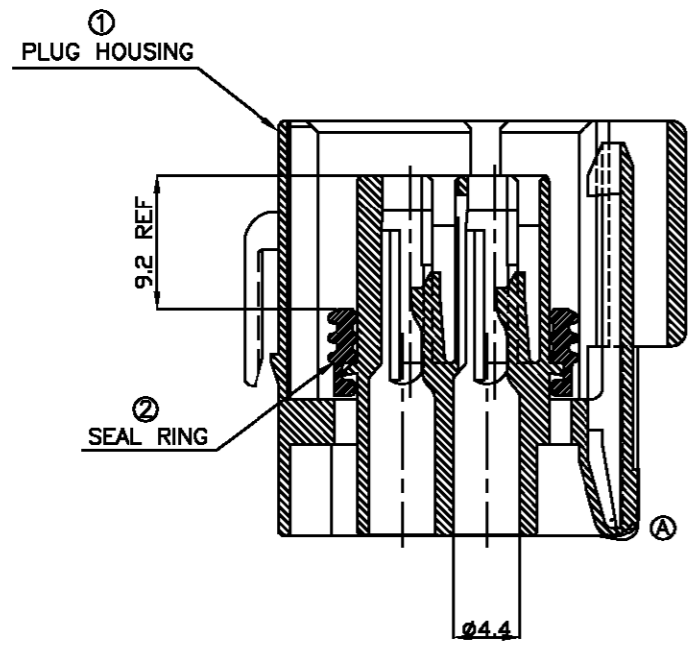
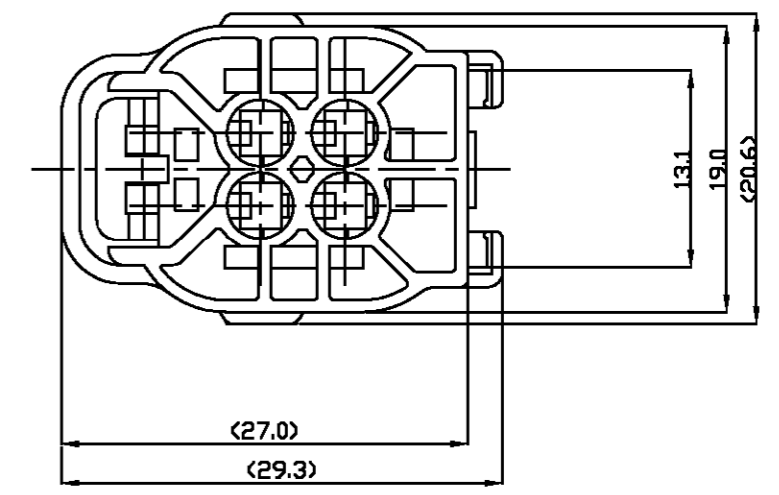
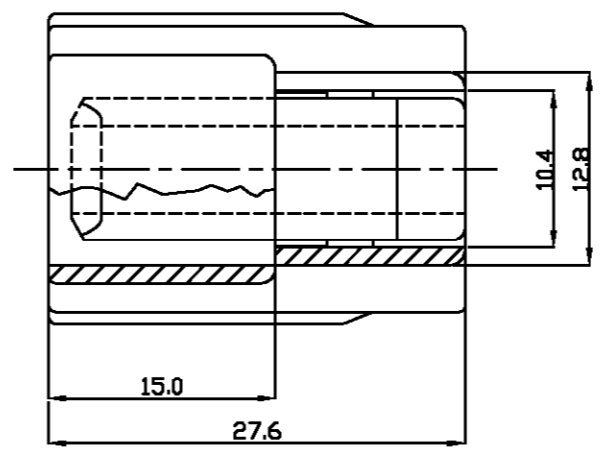
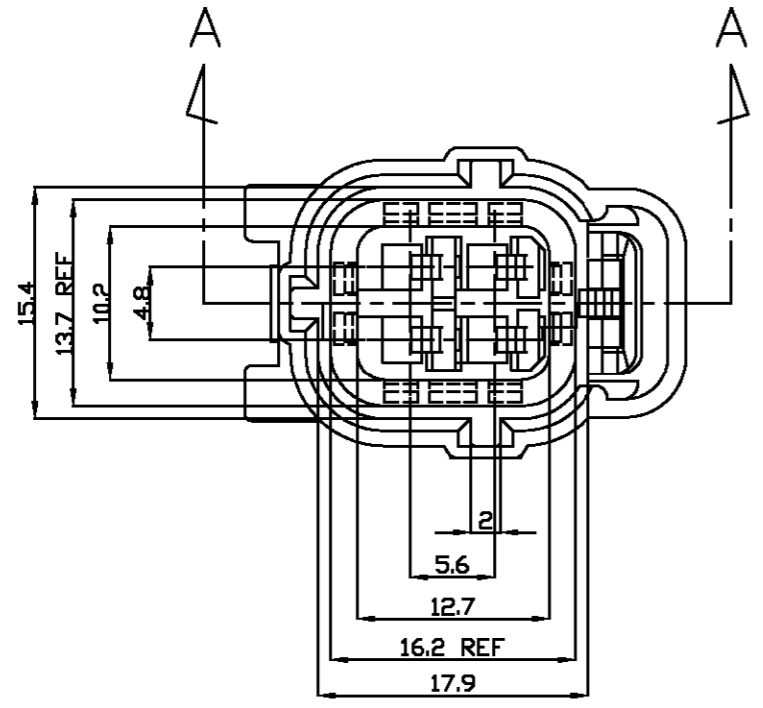


LOC	DIST	REVISIONS					
		P	LTR	DESCRIPTION	DATE	DWN	APVD
			C	REVISED(RD98-358)	24/DEC '98	YJ	CS
			D	REVISED(FC00-0021-99)	22/FEB '99	YJ	CS
			D1	REVISED(FC00-0060-03)	23/APR '03	YD	CS



NOTE;

1. FOR CAP HOUSING P/N 174259
2. THIS PART IS COMPOSED OF PLUG HOUSING P/N 368122 AND SEAL RING P/N 173917, 917343
3. THIS PART MUST BE USED WITH DOUBLE LOCK PLATE P/N 174258
4. APPLICABLE CONTACT P/N 171630, 171662

ASS'Y NO	1	4	3	2
368123	1	1		
368123			1	
368123				1
368123	1	1		1

NO	PART NO	PART NAME	COLOR	1	4	3	2
2	368886-2	SEAL RING FOR EJ MKII(+)-4Pos PLUG HSG	BLACK	1		1	
2	173917-2	SEAL RING FOR EJ MKII(+)-4Pos PLUG HSG	GRAY		1		
2	173917-1	SEAL RING FOR EJ MKII(+)-4Pos PLUG HSG	BLACK				1
1	368122-3	EJ MKII(+)-4Pos PLUG HSG	GRAY			1	
1	368122-2	EJ MKII(+)-4Pos PLUG HSG	BLACK	1	1		1

SECTION A-A

THIS DRAWING IS A CONTROLLED DOCUMENT FOR TYCO ELECTRONICS CORPORATION. IT IS SUBJECT TO CHANGE AND THE CONTROLLING ENGINEERING ORGANIZATION SHOULD BE CONTACTED FOR THE LATEST REVISION.

DIMENSIONS: MM	TOLERANCES UNLESS OTHERWISE SPECIFIED:
	0 <XX<10 ± 0.2
	10 <XX<30 ± 0.25
	30 <XX ± 0.3
	ANGLES ± 3°
3rd ANGLE PROJECTION	
MATERIAL: SEE TABLE	FINISH:

DWN: LEE YONG DUCK  
 CHK: BM JANG  
 APVD: CS LEE

**tyco Electronics** AMP KOREA, kyungsan, korea

NAME: ECONOSEAL J-MARKII(+) CONNECTOR 4Pos. PLUG HOUSING ASS'Y

PRODUCT SPEC: 108-61054  
 APPLICATION SPEC: 114-5082

WEIGHT: 7.8g

SIZE: A3 CAGE CODE: 00779 DRAWING NO: 368123 RESTRICTED TO: C=

SCALE: 2/1 SHEET: 1 OF 1 REV: D1

单击下面可查看定价，库存，交付和生命周期等信息

[>>TE Connectivity\(泰科\)](#)