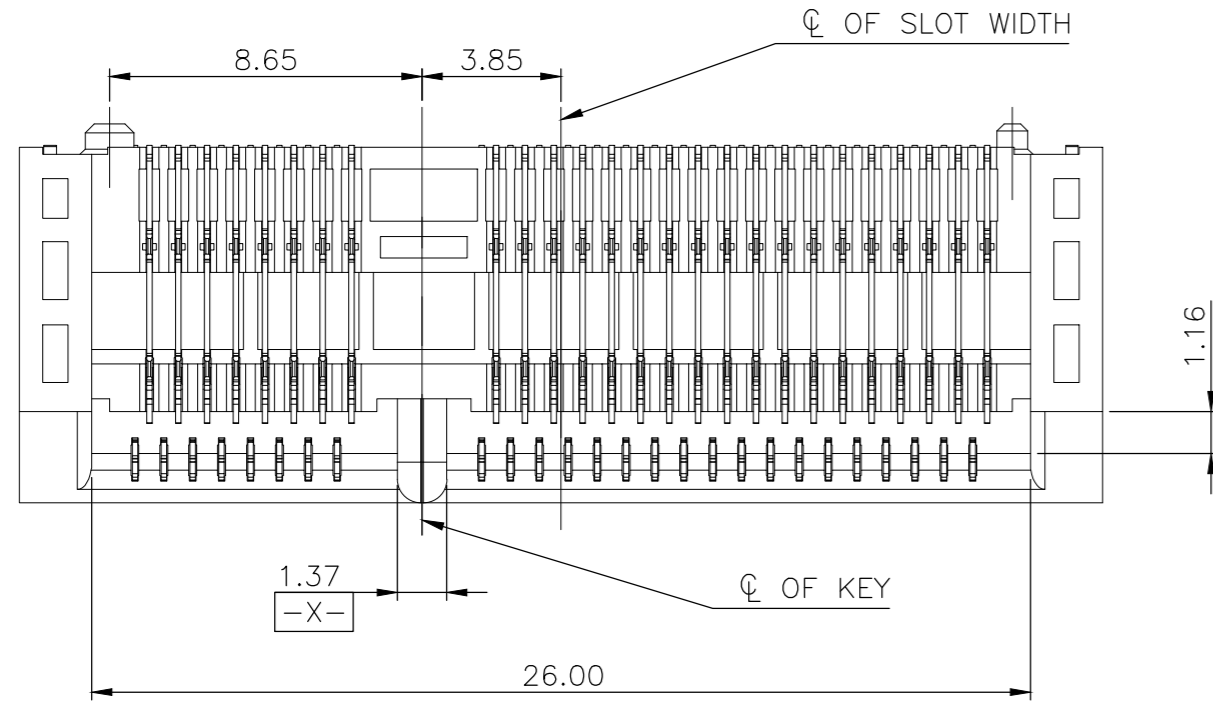


THIS DRAWING IS UNPUBLISHED. RELEASED FOR PUBLICATION
 © COPYRIGHT 2011 BY TE CONNECTIVITY. ALL RIGHTS RESERVED.

REVISIONS					
P	LTR	DESCRIPTION	DATE	DWN	APVD
C		REVISED PER ECR-18-000544	15JAN18	DZ	SL



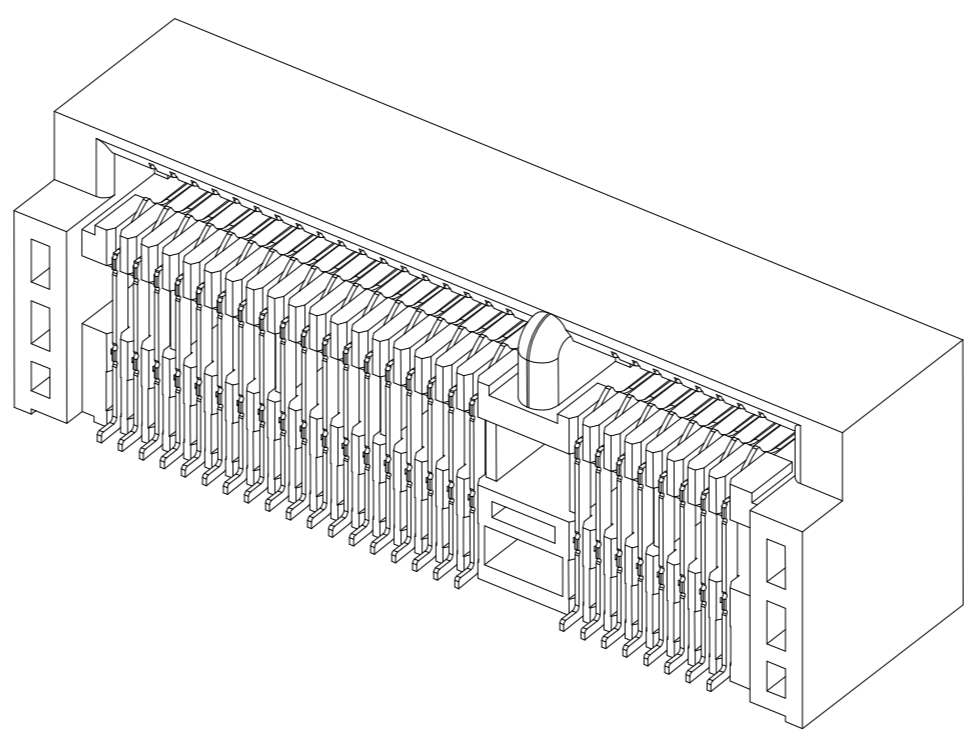
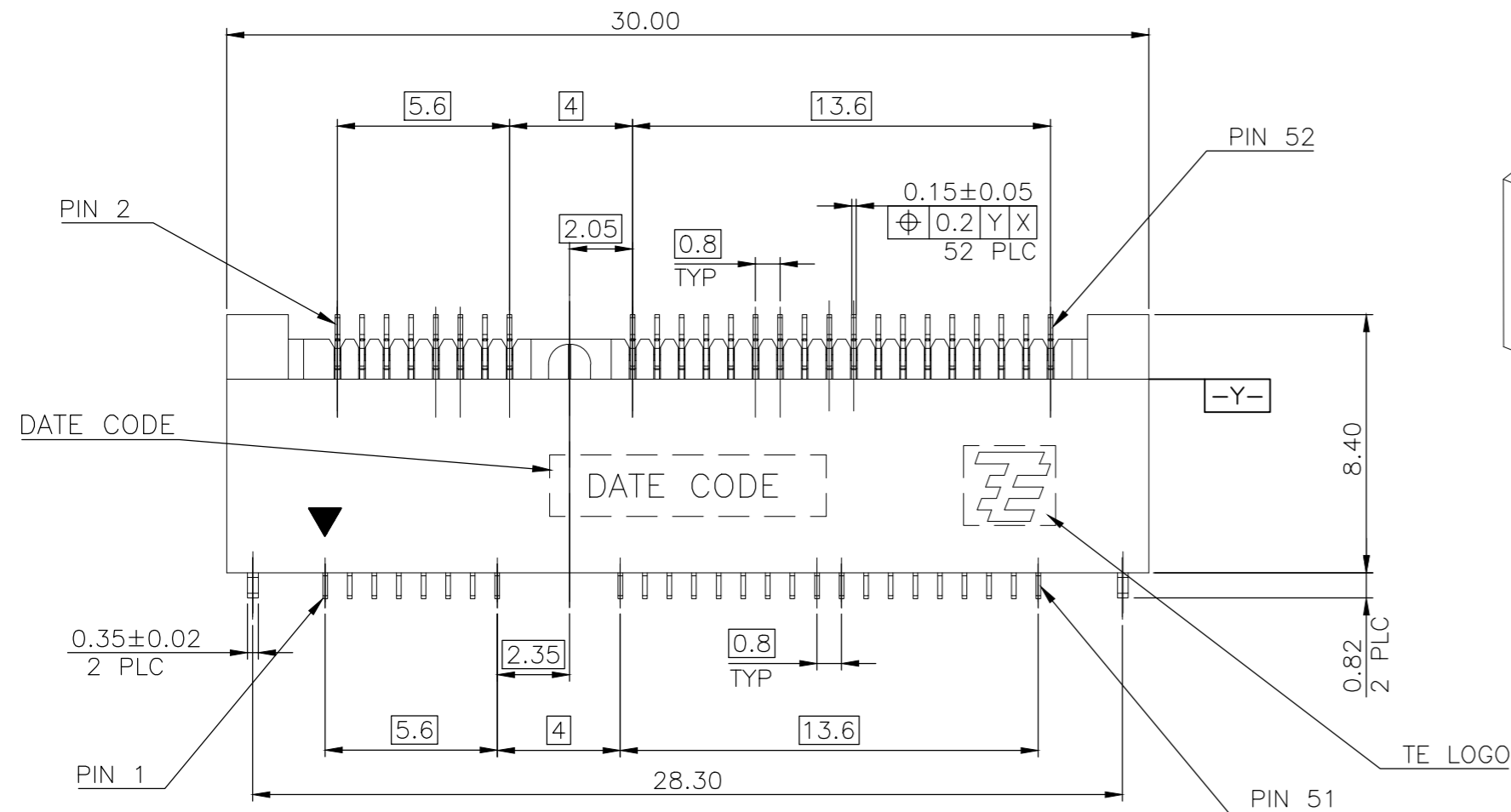
- NOTES:
- MATERIAL:
HOUSING: LCP WITH 30% GF, UL94 V-0, BLACK COLOR.
CONTACTS: PHOSPHOR BRONZE.
PEGS: BRASS.
 - FINISH:
CONTACTS: (SEE TABLE) GOLD PLATED ON CONTACT AREA, GOLD FLASH ON SOLDER AREA, WITH ENTIRE CONTACT UNDERPLATED 1.27µm [50µ"] MIN. NICKEL.
PEGS: 3.048µm [120µ"] MIN. MATTE-TIN OVER 1.27µm [50µ"] MIN. NICKEL.
 - REFLOW SOLDER CAPABLE TO 260° PER TEC-109-201, CONDITION B.

PCI-E MINI CARD CONNECTOR SIGNAL ASSIGNMENTS

PIN#	NAME	PIN#	NAME
51	Reserved	52	+3.3Vaux
49	Reserved	50	GND
47	Reserved	48	+1.5V
45	Reserved	46	LED_WPAN#
43	GND	44	LED_WLAN#
41	+3.3Vaux	42	LED_WWAN#
39	+3.3Vaux	40	GND
37	GND	38	USB_D+
35	GND	36	USB_D-
33	PETp0	34	GND
31	PETn0	32	SMB_DATA
29	GND	30	SMB_CLK
27	GND	28	+1.5V
25	PERp0	26	GND
23	PERn0	24	+3.3Vaux
21	GND	22	PERST#
19	Reserved* (UIM_C4)	20	W_DISABLE#
17	Reserved* (UIM_C8)	18	GND

mSATA CONNECTOR SIGNAL ASSIGNMENTS

PIN#	NAME	PIN#	NAME
51	Presence Defection	52	+3.3V
49	DA/DSS	50	GND
47	Vendor	48	+1.5V
45	Vendor	46	Reserved
43	No Connect	44	Reserved
41	+3.3V	42	Reserved
39	+3.3V	40	GND
37	GND	38	Reserved
35	GND	36	Reserved
33	+A	34	GND
31	-A	32	Two Wire Interface
29	GND	30	Two Wire Interface
27	GND	28	+1.5V
25	-B	26	GND
23	+B	24	+3.3V
21	GND	22	Reserved
19	Reserved	20	Reserved
17	Reserved	18	GND



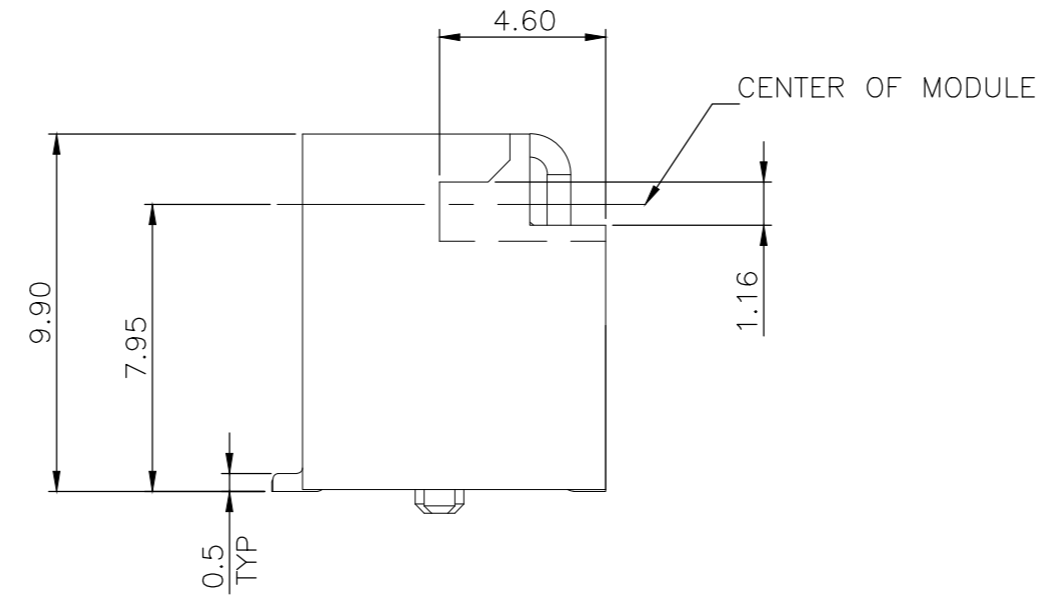
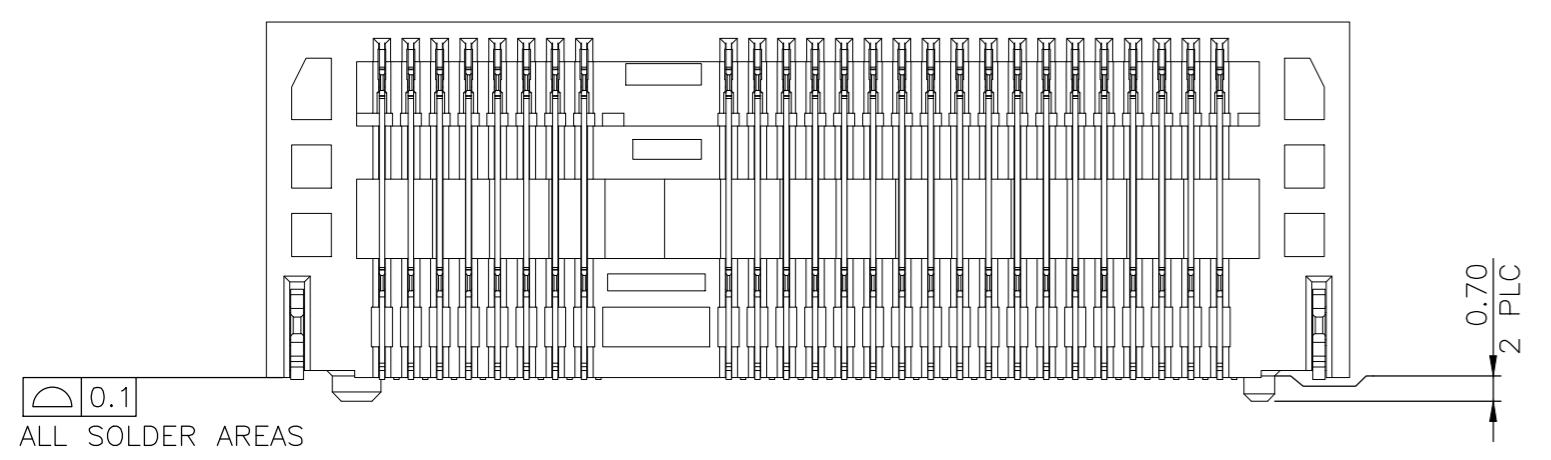
MECHANICAL KEY

15	GND	16	UIM_VPP
13	REFCLK+	14	UIM_RESET
11	REFCLK-	12	UIM_CLK
9	GND	10	UIM_DATA
7	CLKREQ#	8	UIM_PWR
5	COEX2	6	1.5V
3	COEX1	4	GND
1	WAKE#	2	3.3Vaux

MECHANICAL KEY

15	GND	16	Reserved
13	Reserved	14	Reserved
11	Reserved	12	Reserved
9	GND	10	Reserved
7	Reserved	8	Reserved
5	Reserved	6	+1.5V
3	Reserved	4	GND
1	Reserved	2	+3.3V

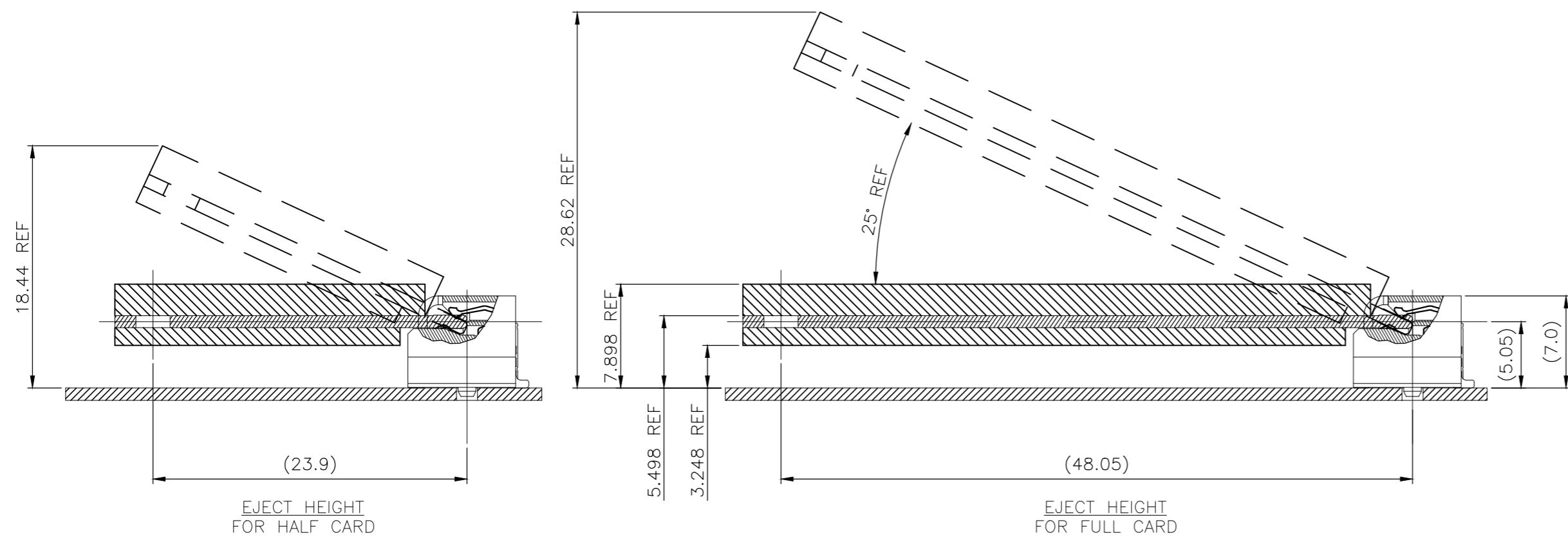
* Reserved for future UIM interface (if needed)



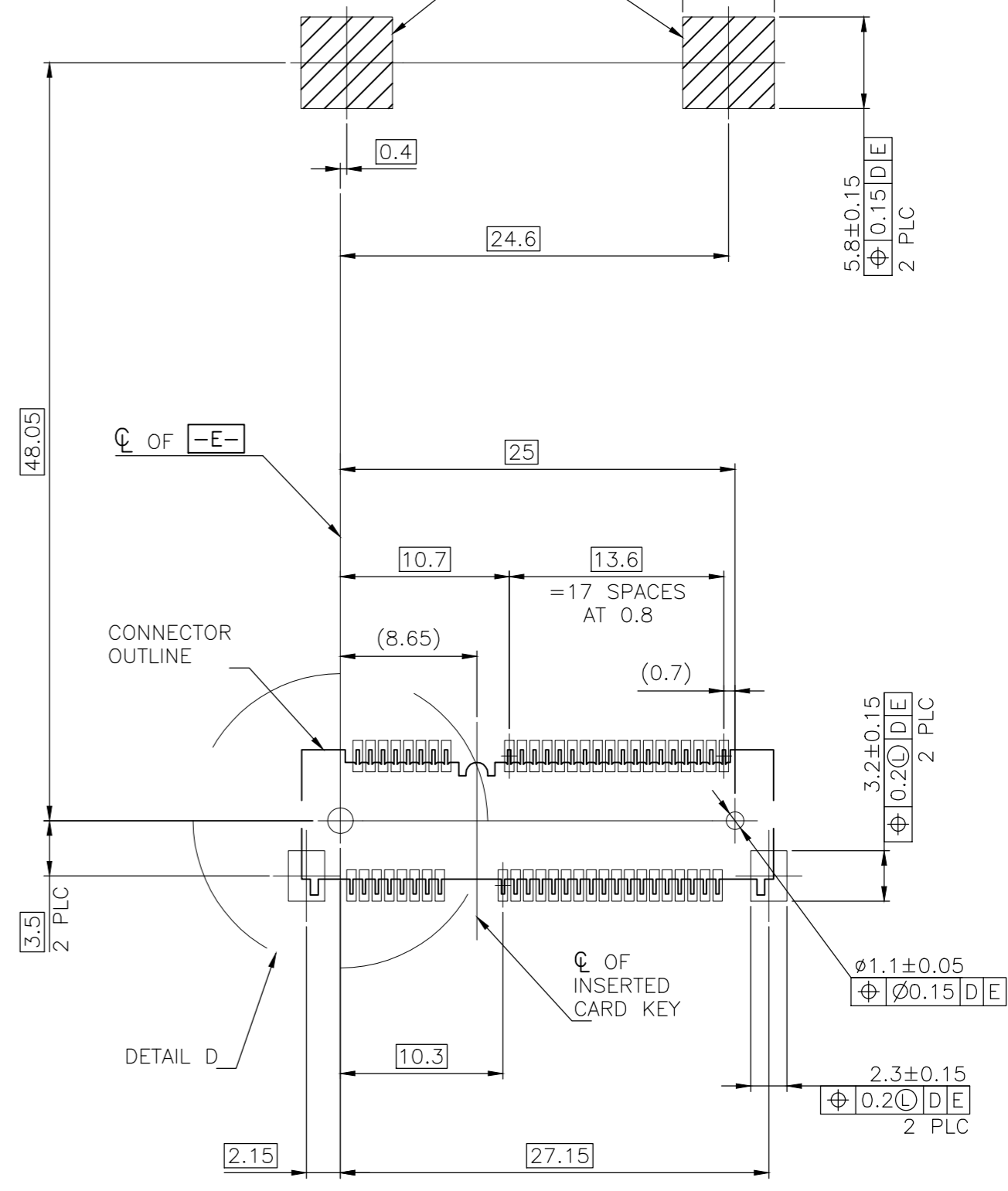
THIS DRAWING IS A CONTROLLED DOCUMENT.

DIMENSIONS: mm	TOLERANCES UNLESS OTHERWISE SPECIFIED:	DWN A. WU 050CT2011	CHK S. CHIEN 050CT2011	APVD W. KODAMA 050CT2011	NAME
0 PLC ± -	1 PLC ± 0.3	TE Connectivity			2 IN 1 mSATA & PCI EXPRESS MINI CARD CONNECTOR, 9.9 MM HEIGHT
2 PLC ± 0.2	3 PLC ± -	108-99102			SIZE A2
4 PLC ± -	ANGLES ± 3°	CUSTOMER DRAWING			CAGE CODE 00779
MATERIAL SEE NOTE	FINISH SEE NOTE	WEIGHT 2.95 GRAMS			DRAWING NO. C-1759546
					RESTRICTED TO -
					SCALE - SHEET 1 OF 5 REV C

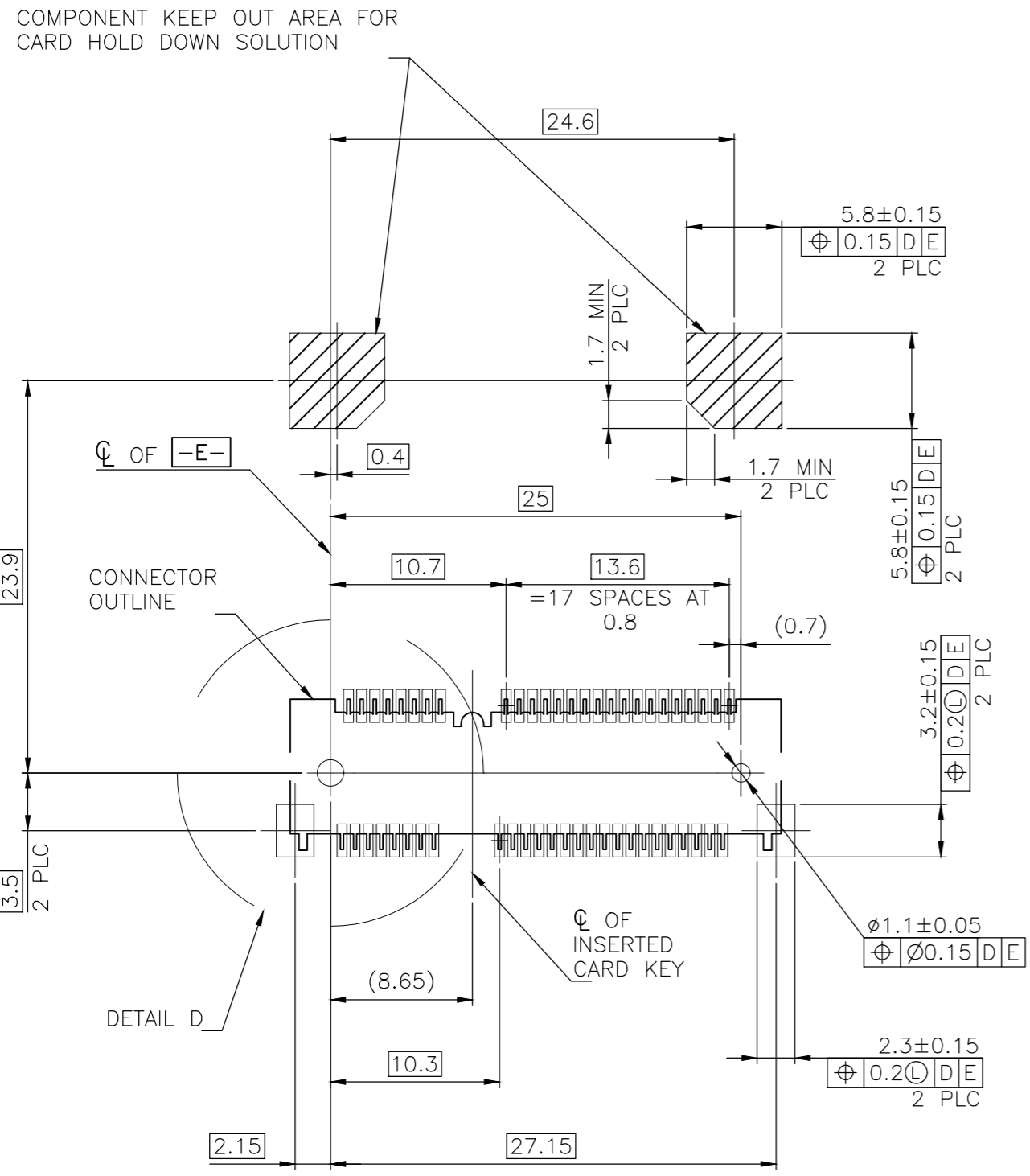
REVISIONS					
P	LTR	DESCRIPTION	DATE	DWN	APVD
		SEE SHEET 1	-	-	-



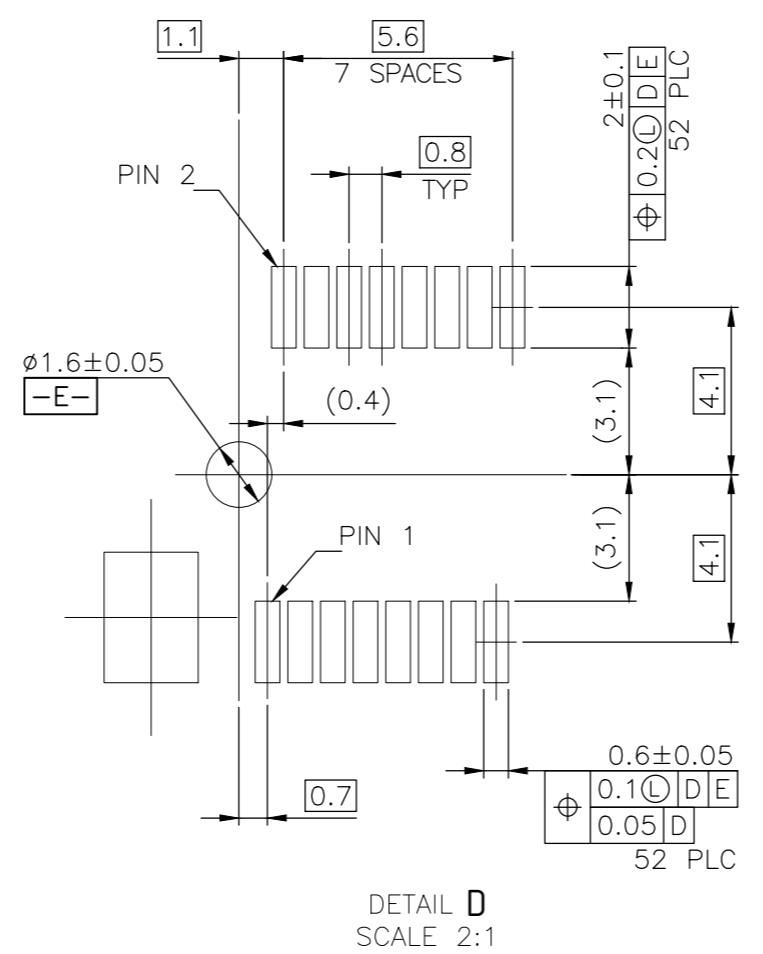
COMPONENT KEEP OUT AREA FOR CARD HOLD DOWN SOLUTION



-D- IS THE TOP SURFACE OF PCB.
 RECOMMENDED P.C. BOARD PATTERN LAYOUT FOR FULL CARD CONNECTOR (TOP VIEW)



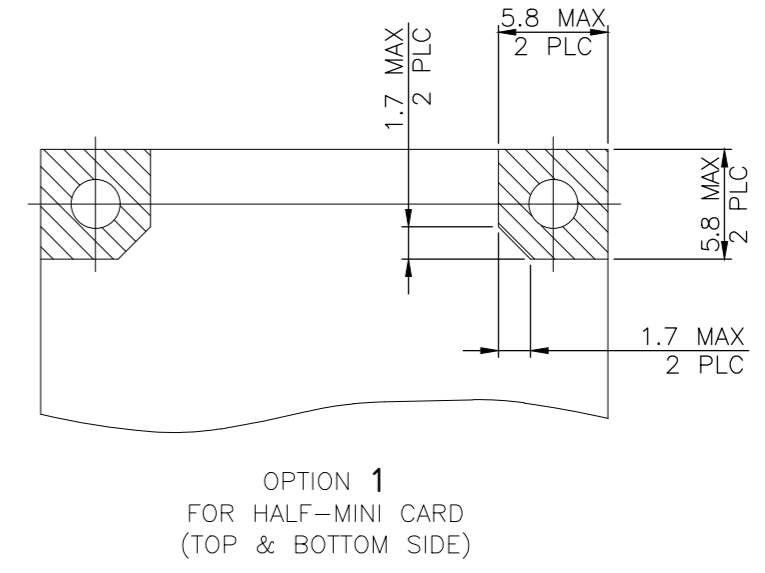
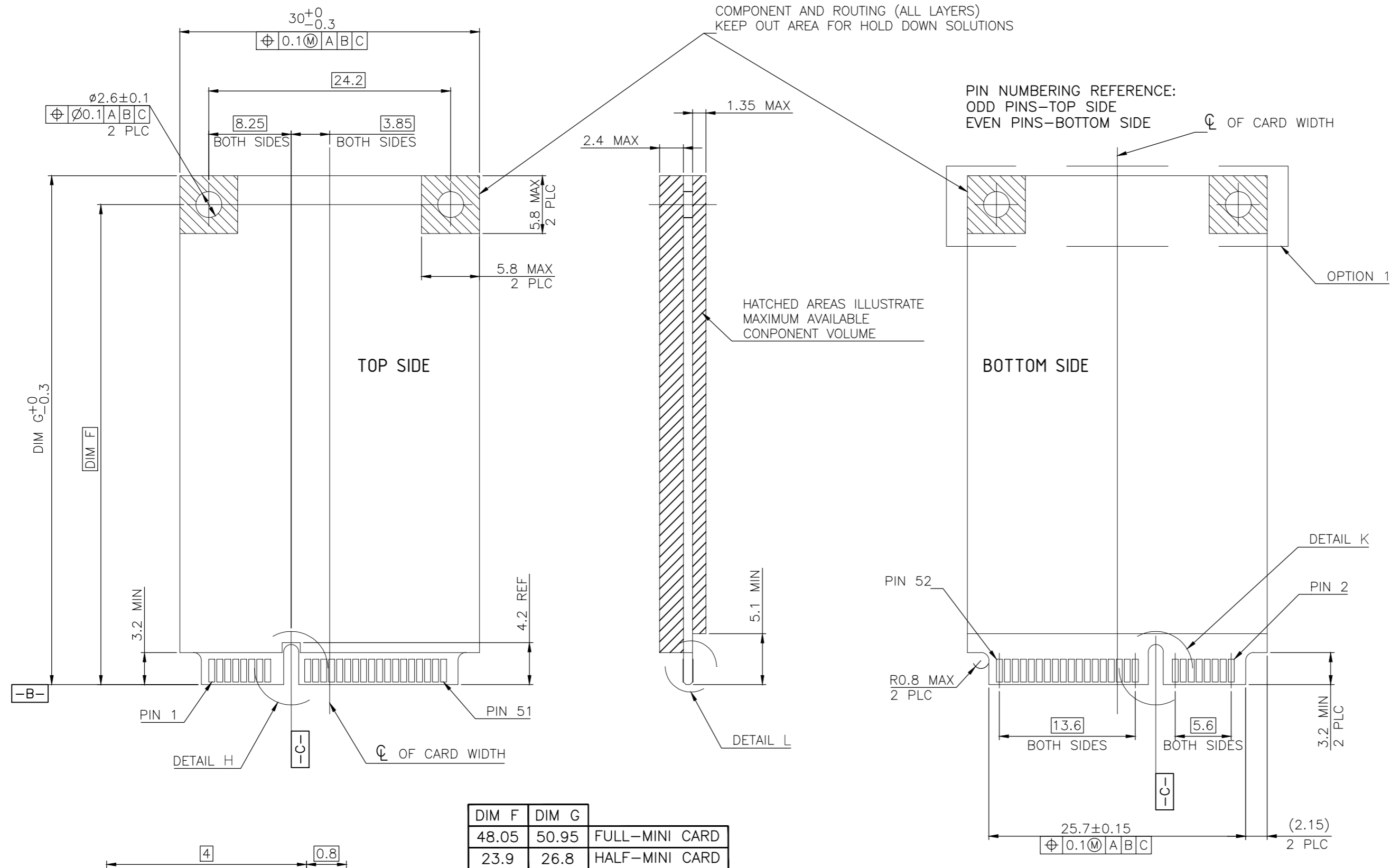
-D- IS THE TOP SURFACE OF PCB.
 RECOMMENDED P.C. BOARD PATTERN LAYOUT FOR HALF CARD CONNECTOR (TOP VIEW)



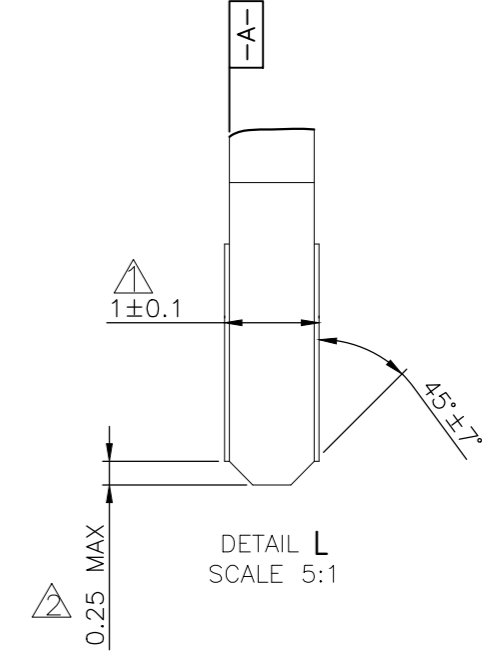
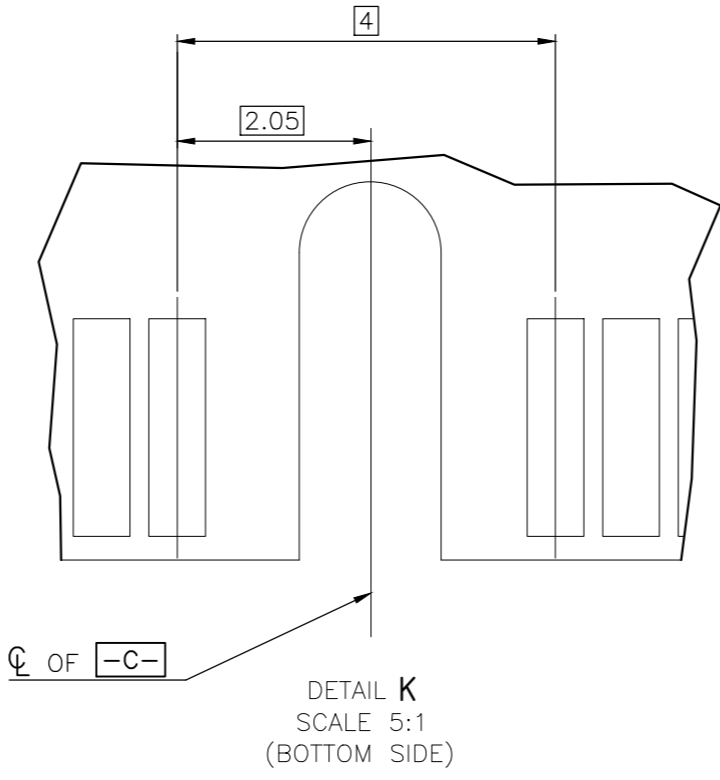
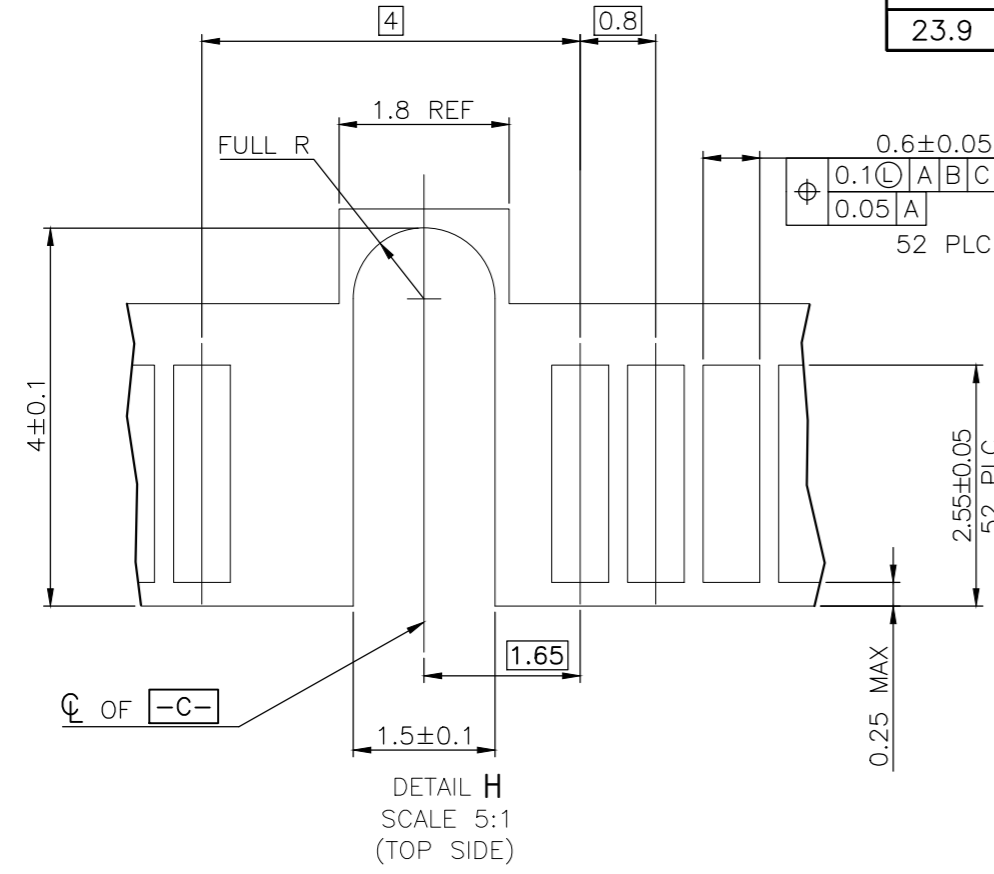
DETAIL D SCALE 2:1

THIS DRAWING IS A CONTROLLED DOCUMENT.		DWN	31MAY2016	TE TE Connectivity	
DIMENSIONS: mm		CHK	-		
TOLERANCES UNLESS OTHERWISE SPECIFIED:		APVD	-	NAME	
0 PLC	± -	PRODUCT SPEC	-	2 IN 1 mSATA & PCI EXPRESS MINI CARD CONNECTOR, 9.9 MM HEIGHT	
1 PLC	± -	APPLICATION SPEC	-	SIZE	A2
2 PLC	± -			CAGE CODE	00779
3 PLC	± -			DRAWING NO	C=1759546
4 PLC	± -			RESTRICTED TO	-
ANGLES	± -	WEIGHT	-	SCALE	-
FINISH	-	CUSTOMER DRAWING	-	SHEET	2 of 5
				REV	C

REVISIONS					
P	LTR	DESCRIPTION	DATE	DWN	APVD
		SEE SHEET 1			



DIM F	DIM G	
48.05	50.95	FULL-MINI CARD
23.9	26.8	HALF-MINI CARD



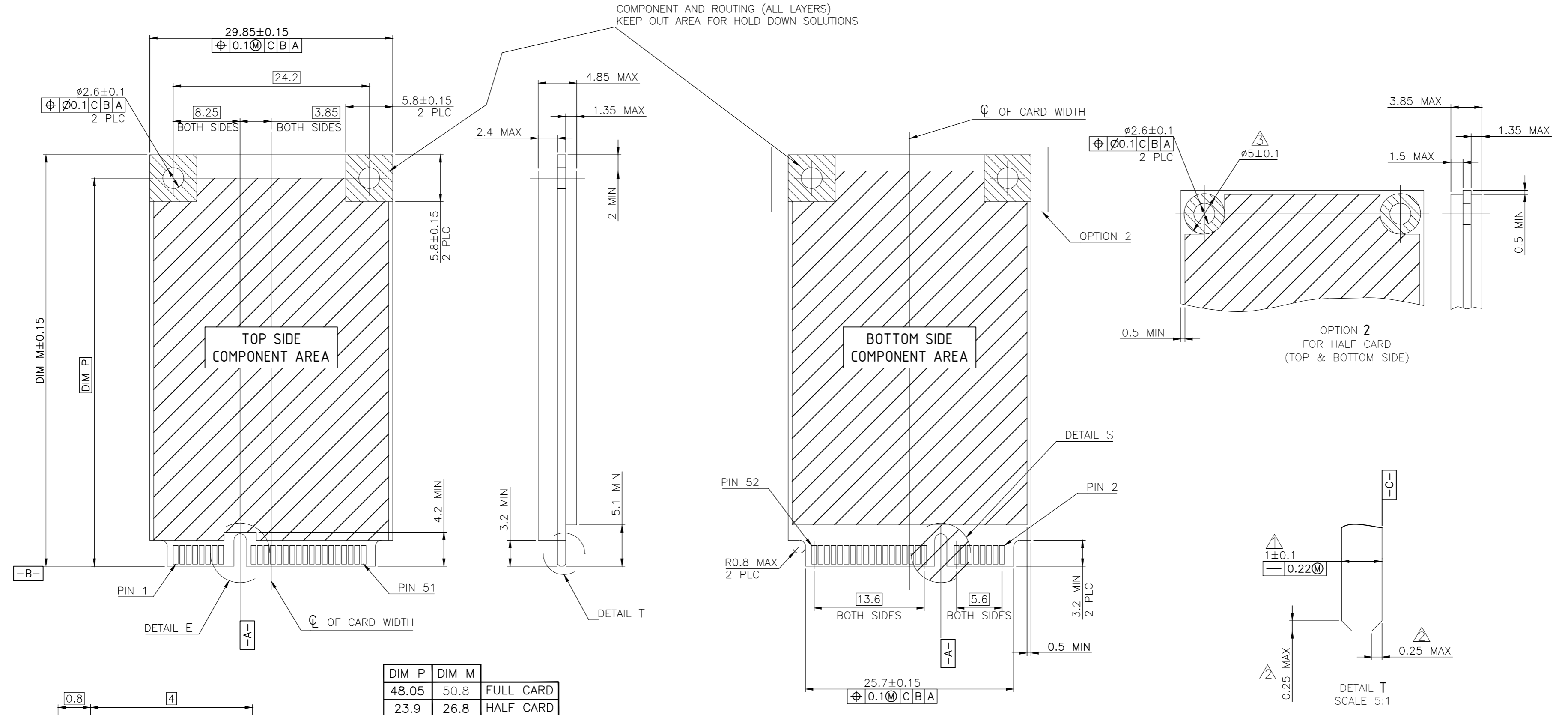
- NOTES:
- △ CARD THICKNESS APPLIES ACROSS TABS AND INCLUDES PLATING AND/OR METALLIZATION.
 - △ EDGE BEVEL MUST BE PRESENT AND FREE OF CUTTING BURRS FROM PCB AND CONTACT MATERIALS.

FOR PCI EXPRESS MINI CARD

THIS DRAWING IS A CONTROLLED DOCUMENT.		DWN	31MAY2016		TE TE Connectivity	
DIMENSIONS: mm		CHK				
TOLERANCES UNLESS OTHERWISE SPECIFIED:		APVD			NAME	
0 PLC	± -	PRODUCT SPEC			2 IN 1 mSATA & PCI EXPRESS MINI CARD CONNECTOR, 9.9 MM HEIGHT	
1 PLC	± -	APPLICATION SPEC			SIZE	CAGE CODE
2 PLC	± -				A2	00779
3 PLC	± -				DRAWING NO	RESTRICTED TO
4 PLC	± -				C=1759546	
ANGLES	± -	WEIGHT				
FINISH	-	CUSTOMER DRAWING			SCALE	SHEET
					-	3 OF 5
					REV	C

C-1759546

REVISIONS					
P	LTR	DESCRIPTION	DATE	DWN	APVD
		SEE SHEET 1	-	-	-



DIM P	DIM M	
48.05	50.8	FULL CARD
23.9	26.8	HALF CARD

- NOTES:
- ▲ CARD THICKNESS APPLIES ACROSS TABS AND INCLUDES PLATING AND/OR METALLIZATION.
 - ▲ EDGE BEVEL MUST BE PRESENT AND FREE OF CUTTING BURRS FROM PCB AND CONTACT MATERIALS.
 - ▲ COMPONENT AND ROUTING (TOP/BOTTOM LAYER) KEEP OUT AREA FOR HOLD DOWN SOLUTIONS.

THIS DRAWING IS A CONTROLLED DOCUMENT.		DWN	31MAY2016	TE TE Connectivity	
DIMENSIONS: mm		CHK	-		
TOLERANCES UNLESS OTHERWISE SPECIFIED:		APVD	-	NAME	
0 PLC	± -	PRODUCT SPEC	-	2 IN 1 mSATA & PCI EXPRESS MINI CARD CONNECTOR, 9.9 MM HEIGHT	
1 PLC	± -	APPLICATION SPEC	-	SIZE	A2
2 PLC	± -			CAGE CODE	00779
3 PLC	± -			DRAWING NO	C=1759546
4 PLC	± -			RESTRICTED TO	-
ANGLES	± -	WEIGHT	-	CUSTOMER DRAWING	
FINISH	-	SCALE	-	SHEET	4 OF 5
		REV	C		

4

3

2

1

THIS DRAWING IS UNPUBLISHED.

RELEASED FOR PUBLICATION

© COPYRIGHT 2011 BY TE CONNECTIVITY.

ALL RIGHTS RESERVED.

REVISIONS

P	LTR	DESCRIPTION	DATE	DWN	APVD
		SEE SHEET 1	-	-	-

NOTES:

- MATERIAL:
BOX: FIBREBOARD, CORRUGATED, DOUBLE WALL.
COVER TAPE: POLYSTYRENES, TRANSPARENT COLOR.
CARRIER TAPE: POLYSTYRENES, TRANSPARENT COLOR.
REEL: HIPS, BLUE COLOR.
BAG: POLYETHYLENES, TRANSPARENT .
- EACH BAG SHALL BE INCLUDED DESICCANT.
- PEELING STRENGTH: 0.1 ~ 1.3 N (10 ~ 130 GRAMS).
- PEELING SPEED: 300 mm/min.

USER DIRECTION OF UNREELING

DETAIL R
SCALE 4:1
R0.75
0.2±0.05

DETAIL R
10.7 REF

10.31 Kg	5.31 Kg	350	6	2100
GROSS WEIGHT	NET WEIGHT	PCS/TAPE	REELS/BOX	PCS/BOX

THIS DRAWING IS A CONTROLLED DOCUMENT.		DWN	31MAY2016	TE Connectivity	
DIMENSIONS: mm		CHK	-	NAME	
TOLERANCES UNLESS OTHERWISE SPECIFIED:		APVD	-	2 IN 1 mSATA & PCI EXPRESS MINI CARD CONNECTOR, 9.9 MM HEIGHT	
0 PLC ± -		PRODUCT SPEC	-	SIZE	CAGE CODE
1 PLC ± -		APPLICATION SPEC	-	A2	00779
2 PLC ± -		WEIGHT	-	DRAWING NO	C=1759546
3 PLC ± -		CUSTOMER DRAWING	-	RESTRICTED TO	-
4 PLC ± -		SCALE	-	SHEET	5 of 5
ANGLES ± -		REV	C		
FINISH -					

1471-9 (1/15)

Downloaded From Onevac.com

C-1759546

A

单击下面可查看定价，库存，交付和生命周期等信息

[>>TE Connectivity\(泰科\)](#)