

THIS DRAWING IS UNPUBLISHED.

RELEASED FOR PUBLICATION

ALL RIGHTS RESERVED.

© COPYRIGHT - By -

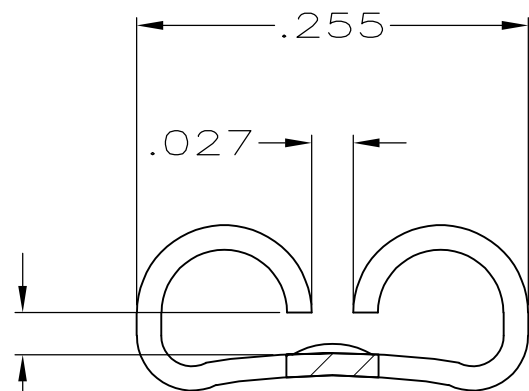
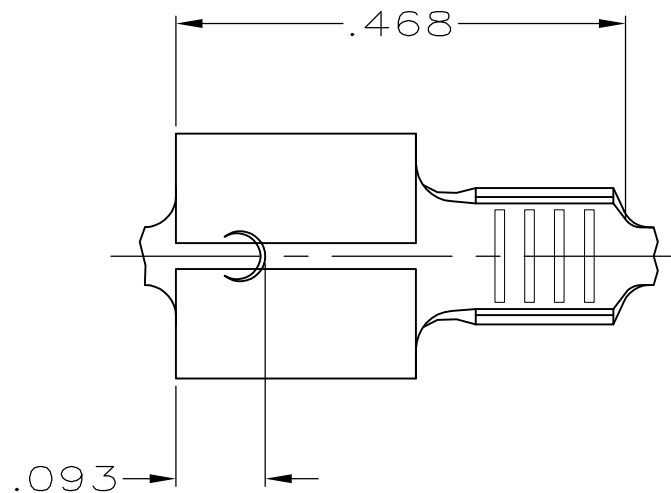
LOC AF DIST 50

REVISIONS

P	LTR	DESCRIPTION	DATE	DWN	APVD
	R	REVISED PER ECR-12-013445	18OCT12	KH	PD

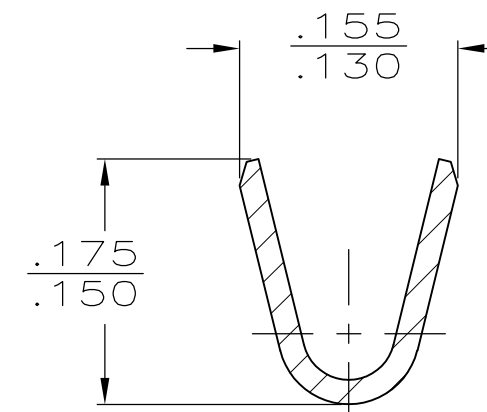
1 CONTINUOUS STRIP ON REELS.

2 FEED TO BE .530±.005

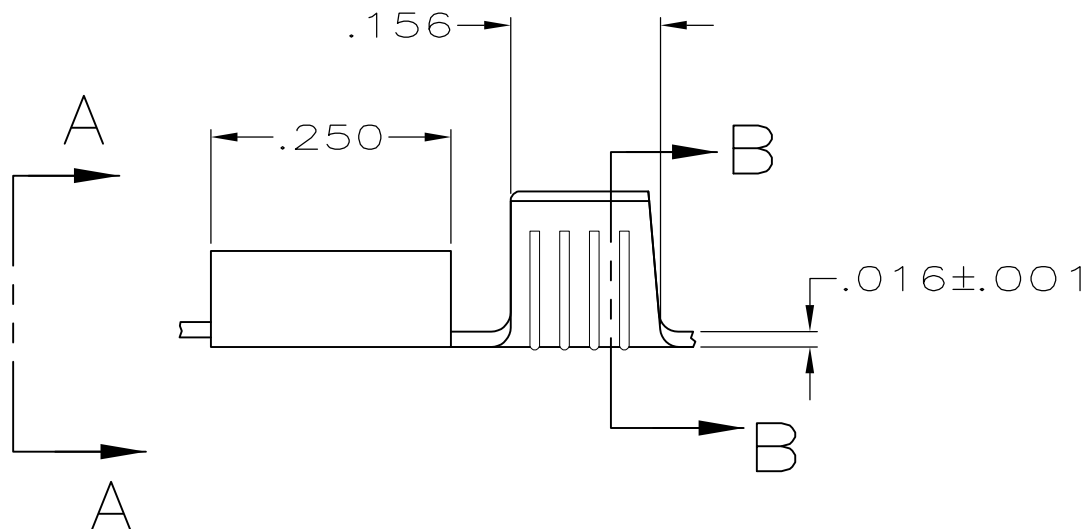


FITS .205 SERIES FASTON TAB


VIEW A-A SCALE 8:1



SECTION B-B SCALE 8:1



18-14	.032	41509
WIRE SIZE	MATING TAB THK ±.001	PART NO

THIS DRAWING IS A CONTROLLED DOCUMENT.		DWN JR RUTH 6/14/91	 TE Connectivity RECEPTACLE, FASTON, .205 SERIES				
DIMENSIONS: INCHES		CHK MS FEHER 6/14/91				NAME	
TOLERANCES UNLESS OTHERWISE SPECIFIED:		APVD C MEYERS 6/14/91				SIZE CAGE CODE DRAWING NO RESTRICTED TO	
0 PLC ± - 1 PLC ± - 2 PLC ± - 3 PLC ± .015 4 PLC ± - ANGLES ± -		PRODUCT SPEC				A3 00779 C-41509	
MATERIAL BRASS		FINISH TIN	APPLICATION SPEC	SCALE 5:1 SHEET 1 OF 1 REV R			
		WEIGHT -	CUSTOMER DRAWING				

单击下面可查看定价，库存，交付和生命周期等信息

[>>TE Connectivity\(泰科\)](#)