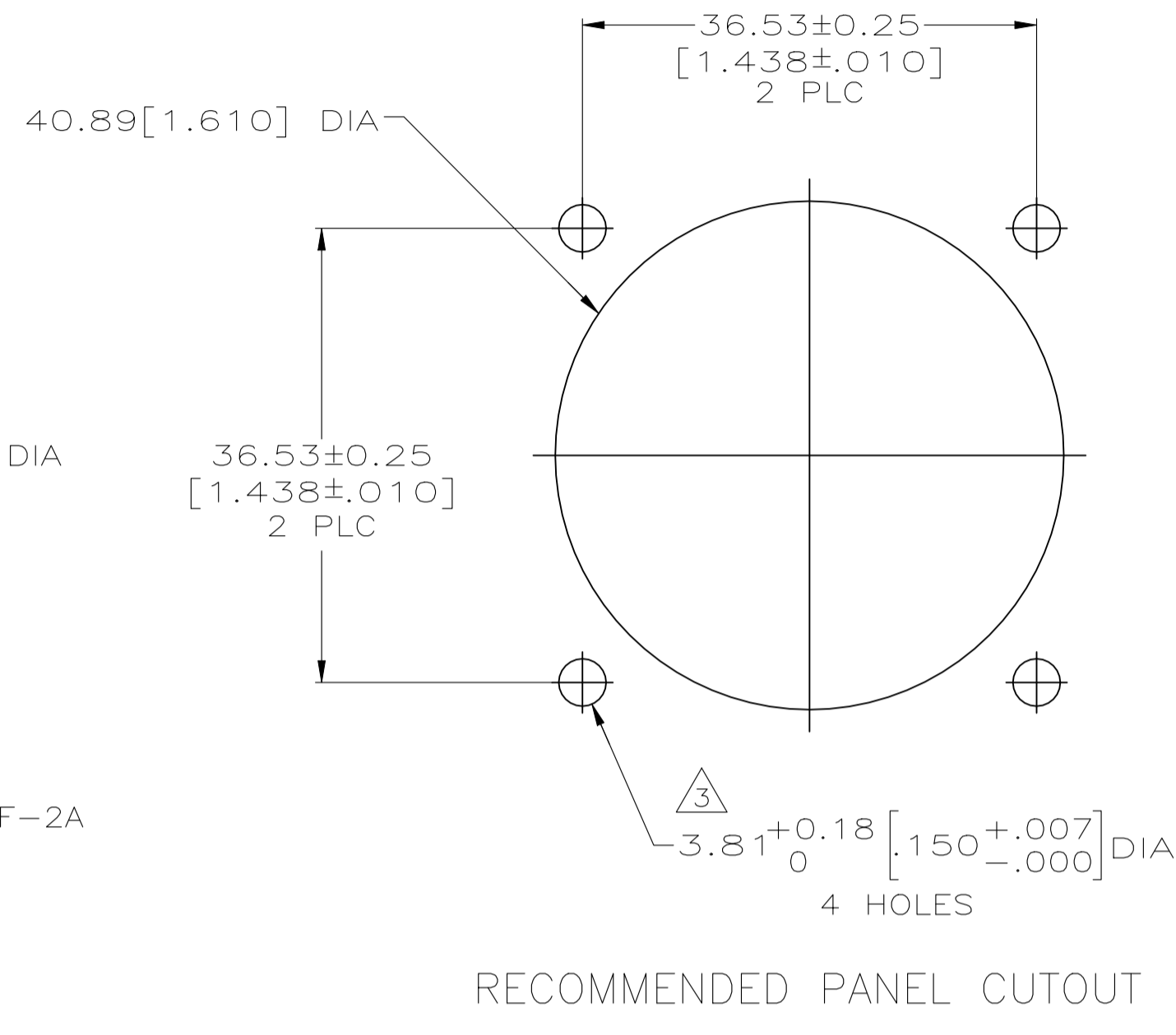
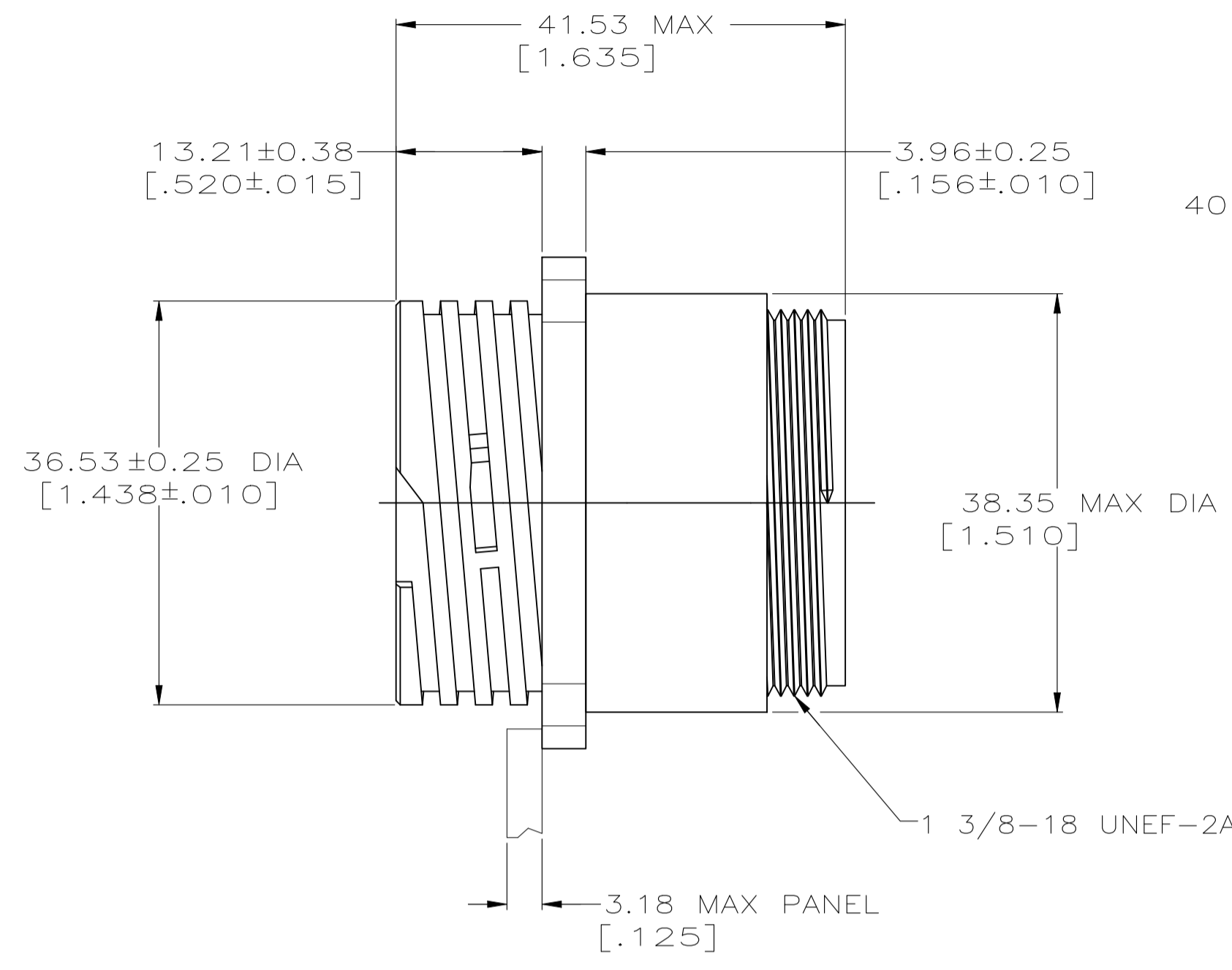
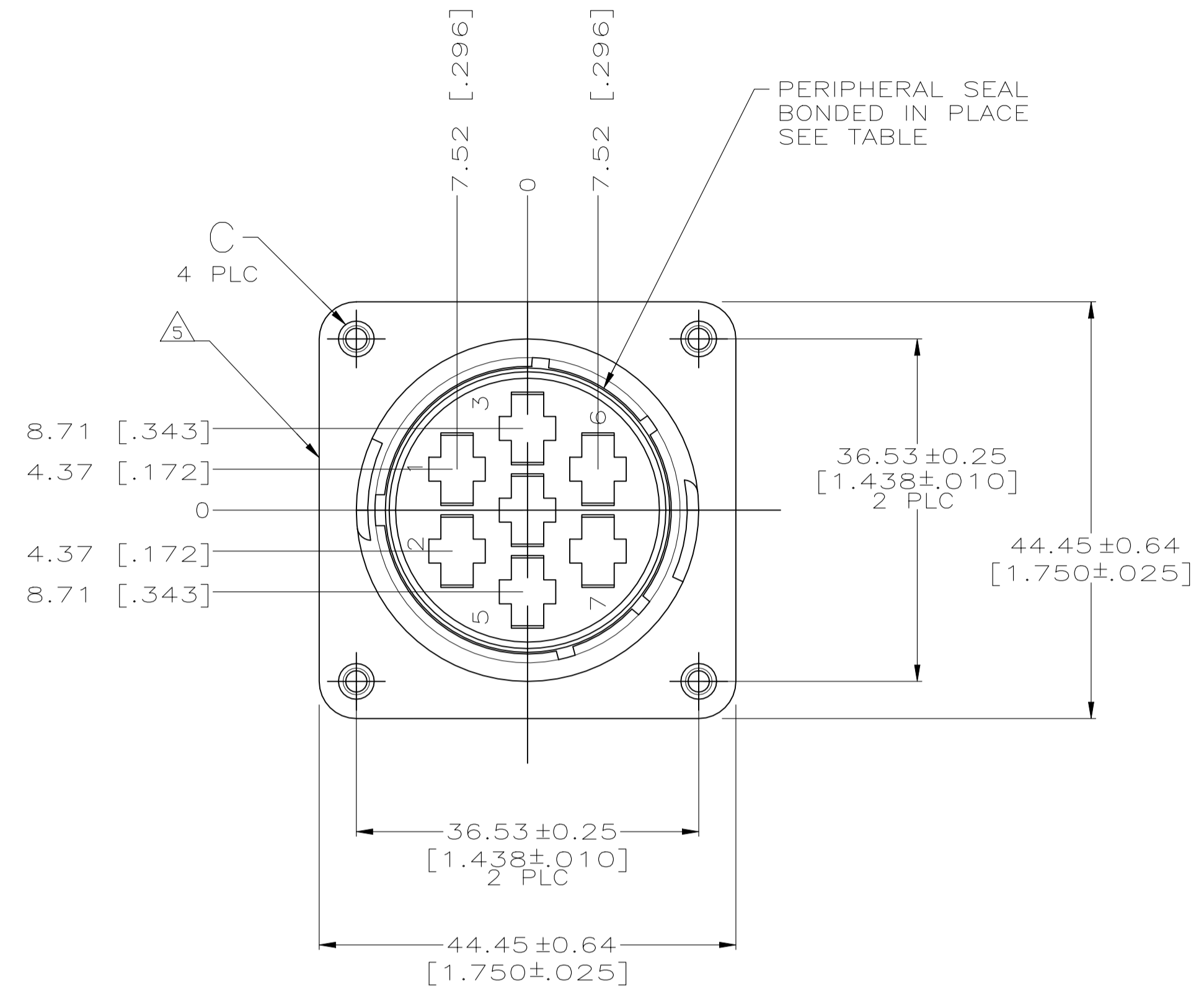
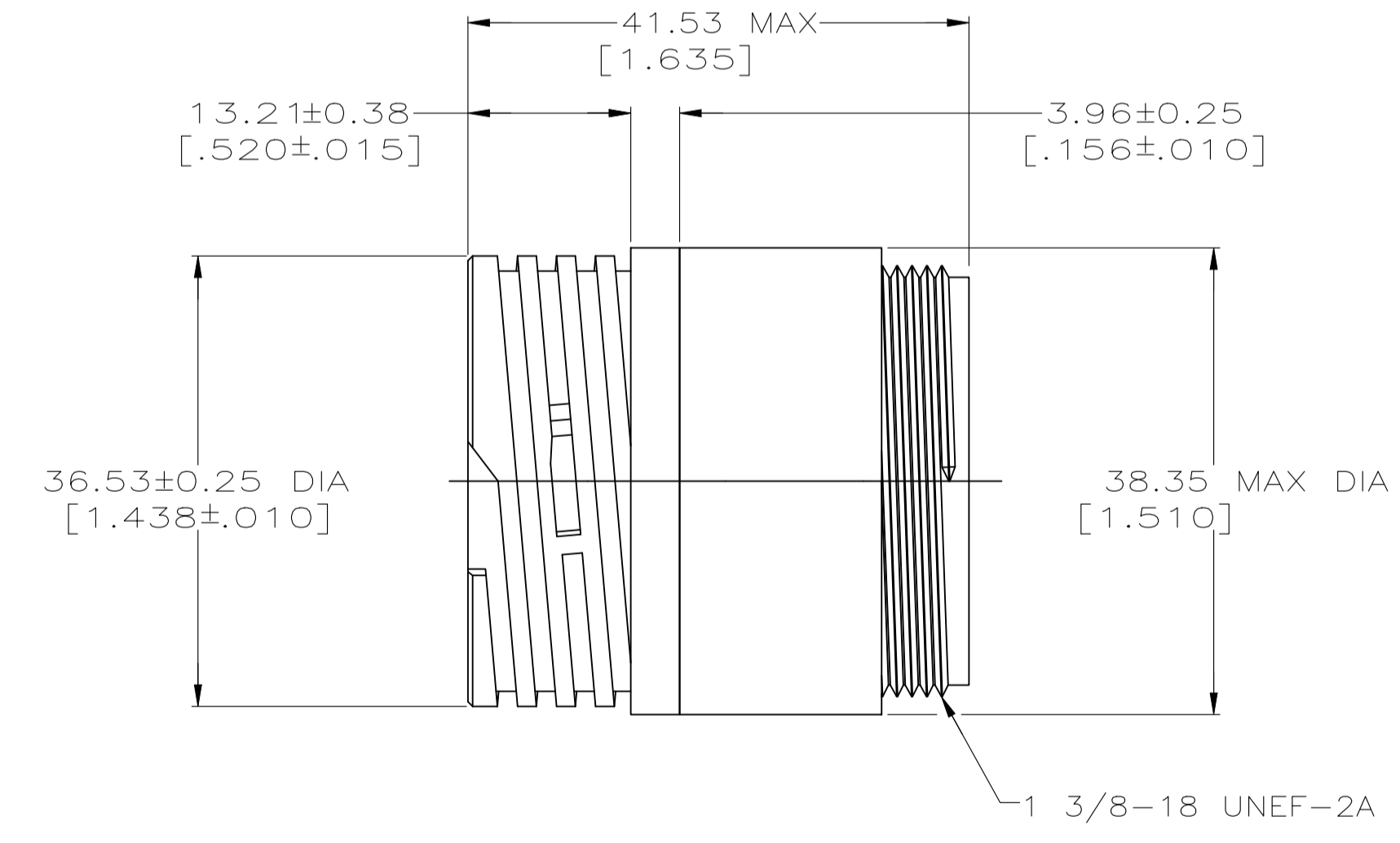
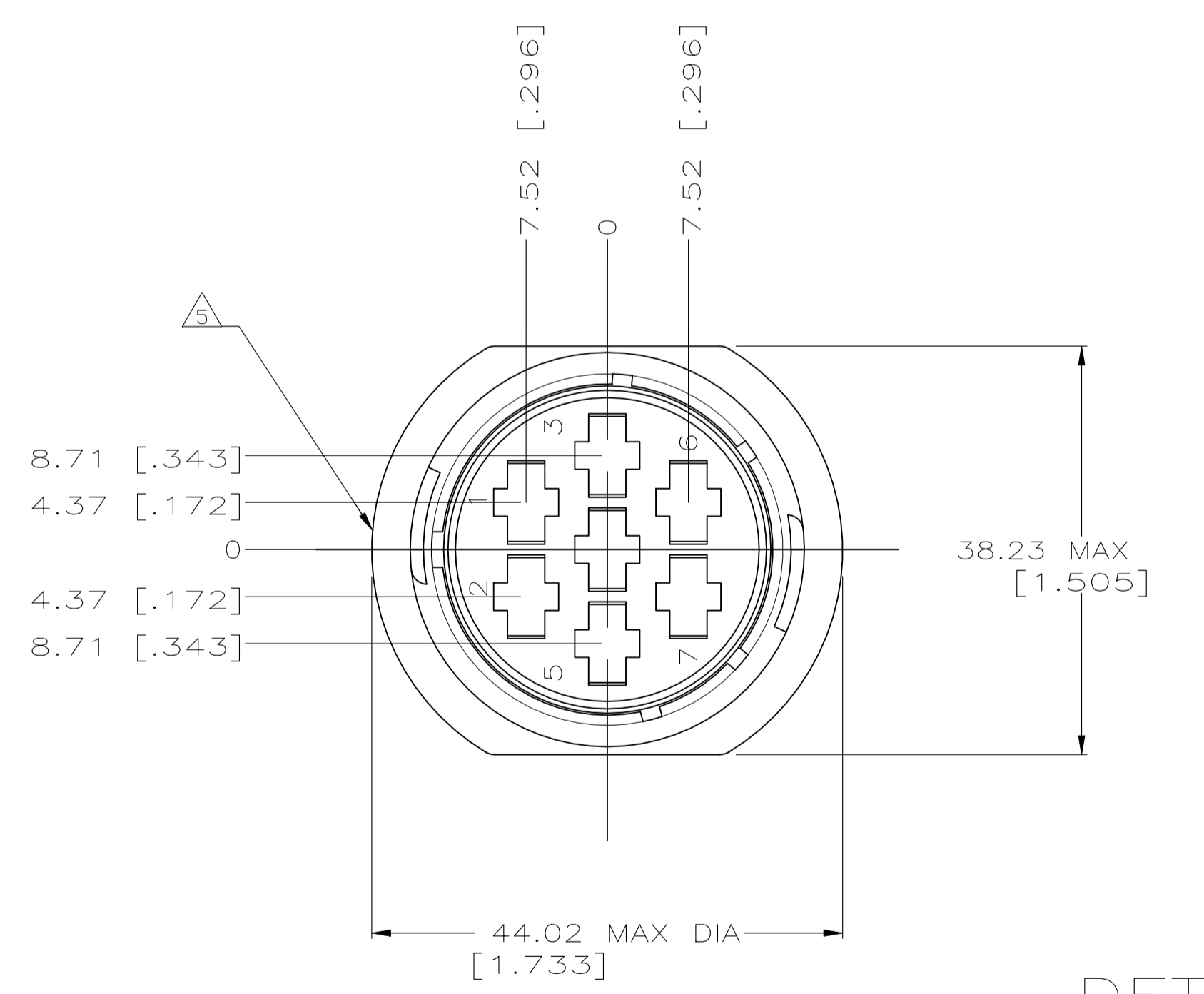


REVISIONS				
P	LTR	DESCRIPTION	DATE	APPROV
N		REVISED PER ECO-21-006944	12OCT2021	RK MZ



DETAIL A



DETAIL B

4-40 THREADED INSERTS	NO	A	206227-6
3.81±0.08 [.150±.003]	YES	A	206227-5
3.81±0.08 [.150±.003]	NO	B	206227-2
3.81±0.08 [.150±.003]	NO	A	206227-1

1. CAVITY IDENTIFICATION ON FRONT AND REAR FACE.
 2. WILL ACCEPT SEVEN (7) TYPE XII SOCKET CONTACTS.
- ⚠ #4 FASTENER RECOMMENDED FOR MOUNTING.
- ⚠ OBSOLETE PARTS: OBSOLETE CIS STREAMLINING PER D.RENAUD/D.SINISI
- ⚠ TE LOGO AND PART NUMBER LOCATED ON ANY FLANGE EDGE

THIS DRAWING IS A CONTROLLED DOCUMENT.		DIN D. HARDY 05/31/94	TE Connectivity
DIMENSIONS: mm[INCHES]		CIK W.G. LENKER 06/08/94	
TOLERANCES UNLESS OTHERWISE SPECIFIED:		APVD A. FRANTUM 07/13/94	NAME
0 PLC ± -		PRODUCT SPEC	
1 PLC ± -		108-10024	
2 PLC ± 0.13 [.005]		APPLICATION SPEC	
3 PLC ± -		SIZE	
4 PLC ± -		CAGE CODE	
ANGLES ± -		DRAWING NO	
MATERIAL NYLON, BLACK	FINISH -	WEIGHT -	RESTRICTED TO
CUSTOMER DRAWING		A1 00779	SCALE 2:1 SHEET 1 of 1 REV N

单击下面可查看定价，库存，交付和生命周期等信息

[>>TE Connectivity\(泰科\)](#)