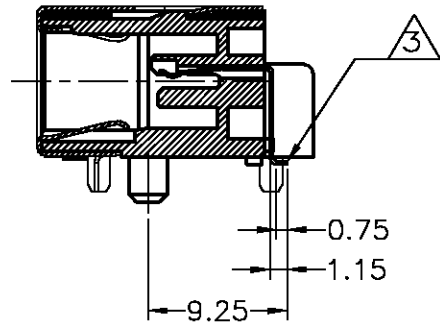
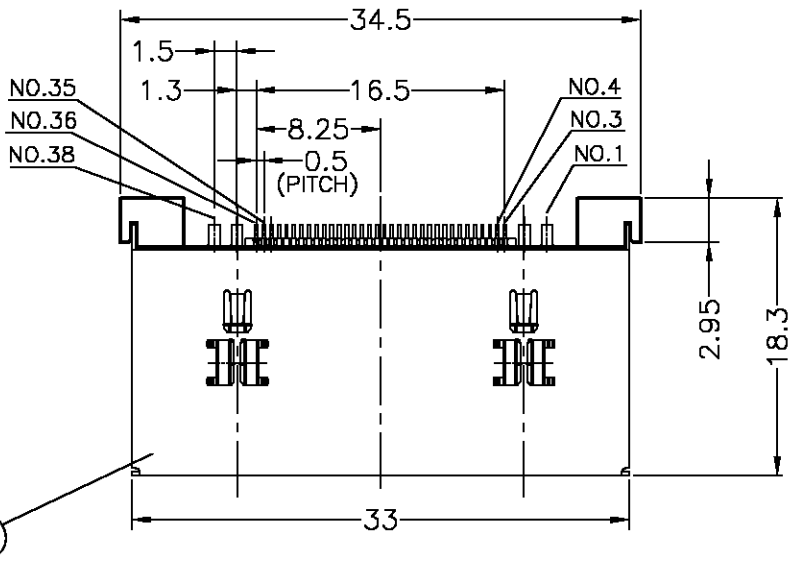


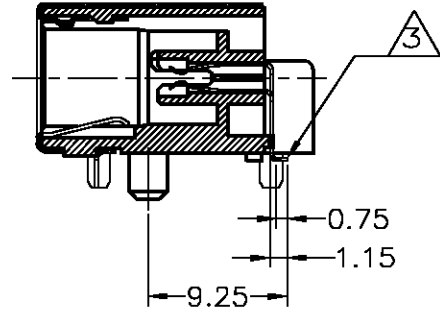
THIS DRAWING IS UNPUBLISHED. RELEASED FOR PUBLICATION

© COPYRIGHT BY TYCO ELECTRONICS CORPORATION. ALL RIGHTS RESERVED.

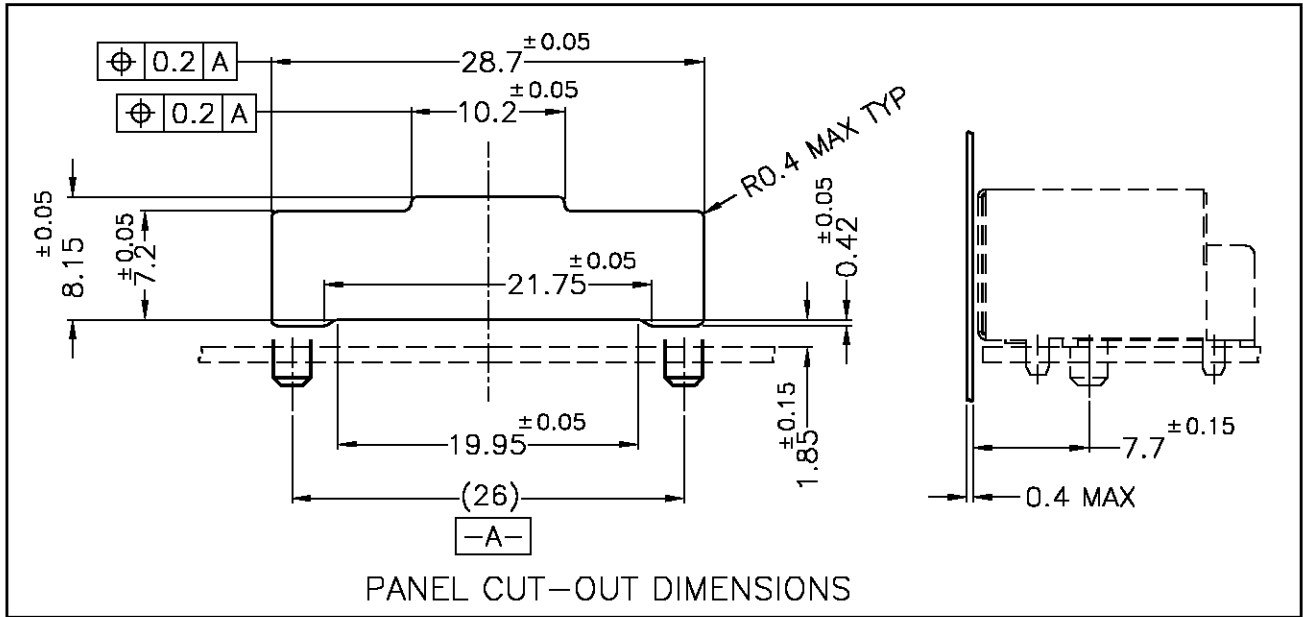
| LOC | DIST | REVISIONS | | | | | |
|-----|------|-----------|-----|-----------------------|---------|-----|------|
| | | P | LTR | DESCRIPTION | DATE | DWN | APVD |
| J | - | 0 | | RELEASED FJBO-1203-04 | 02NOV04 | A.K | Y.Y |



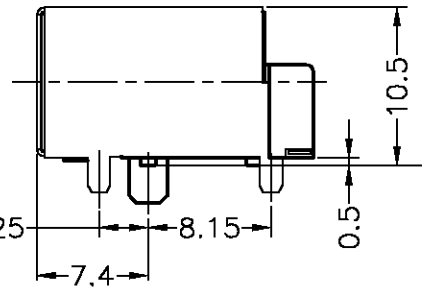
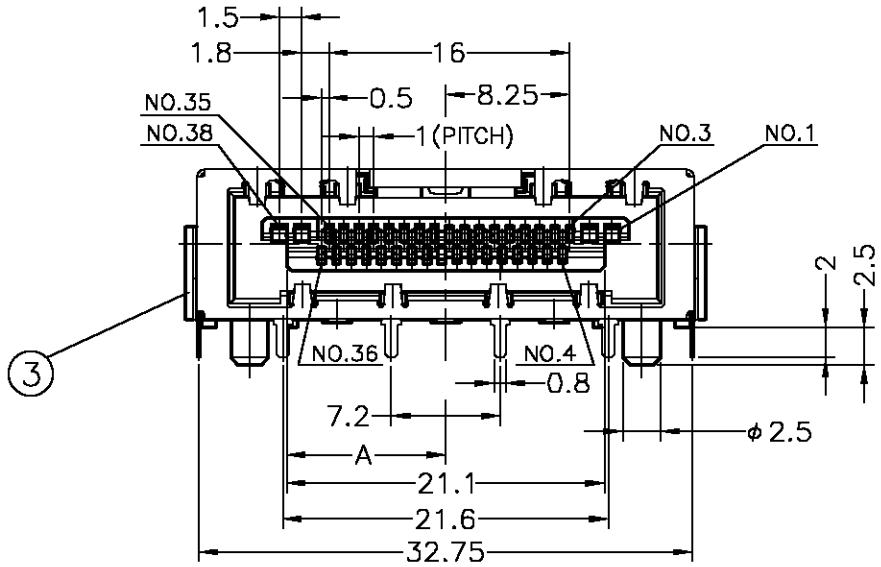
POWER CONT. SECTION



SIGNAL CONT. SECTION



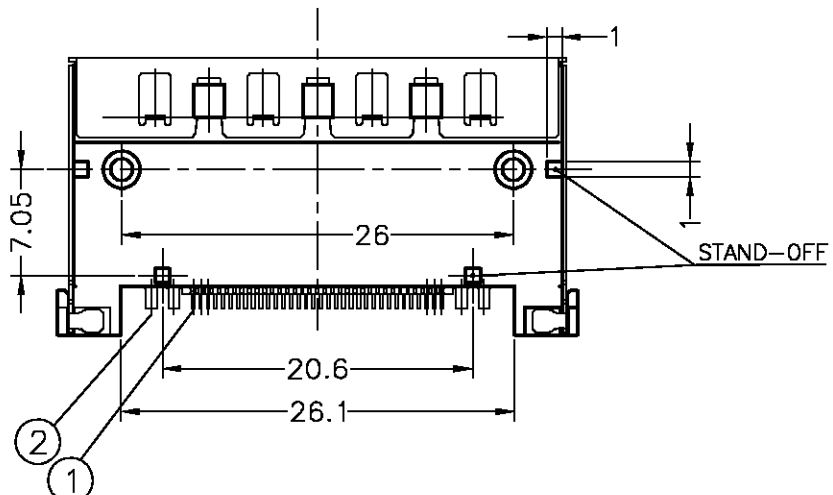
PANEL CUT-OUT DIMENSIONS



| P/N | EMBOSS | TRAY |
|-----------|--------|------|
| 6376818-1 | | |

| QTY | NAME | DIM A | MATERIAL | FINISH | ITEM NO. |
|-----|--------------------|-------|---------------|----------------------------------|----------|
| 1 | SHELL | - | COPPER ALLOY | Tin PLATING | 4 |
| 1 | HOUSING WITH KEY 4 | 12.2 | THERMOPLASTIC | - | 3 |
| 1 | HOUSING WITH KEY 3 | 11.1 | THERMOPLASTIC | - | 3 |
| 1 | HOUSING WITH KEY 2 | 10.0 | THERMOPLASTIC | - | 3 |
| 1 | HOUSING WITH KEY 1 | 8.9 | THERMOPLASTIC | - | 3 |
| 4 | POWER CONTACT | - | COPPER ALLOY | CONTACT AREA: Au PI. OVER Ni PI. | 2 |
| 34 | SIGNAL CONTACT | - | COPPER ALLOY | SOLDER TAIL: Tin PI. OVER Ni PI. | 1 |

PARTS LIST

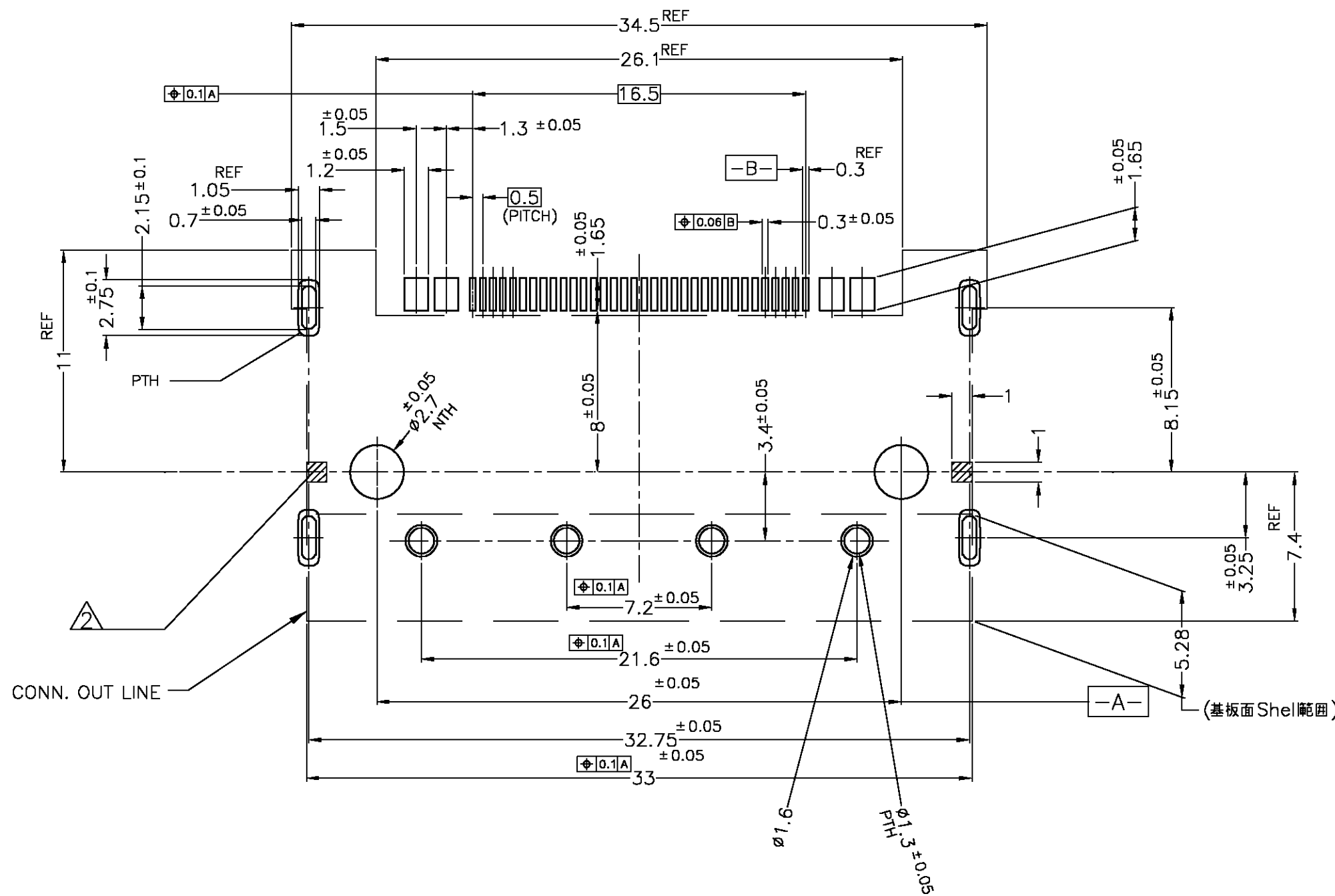


THIS DRAWING IS A CONTROLLED DOCUMENT.

| | | | |
|-----------------------|--|--------------------------------|---|
| DIMENSIONS: 单位: 耗 MM | TOLERANCES UNLESS OTHERWISE SPECIFIED: 一般公差 | DWN A.KUBO 01NOV04 | tyco Tyco Electronics AMP K.K. Kawasaki, Japan |
| | 0-PLC ± 1-PLC ± ± 0.5 2-PLC ± ± 3° 3-PLC ± 4-PLC ± ANGLES ± | CHK S.KAJINUMA 02NOV04 | |
| MATERIAL 材料 SEE TABLE | FINISH 仕上 SEE TABLE | APVD Y.YAMAMOTO 02NOV04 | NAME 名称 HEADER 1MM GIGA I/O CONN. LEAD-FREE |
| | | PRODUCT SPEC 製品規格 108-78219 | SIZE A3 CAGE CODE 00779 DRAWING NO 番号 6376818 RESTRICTED TO - |
| | | APPLICATION SPEC 取付適用規格 | WEIGHT 6.3 g |
| | | CUSTOMER DRAWING | SCALE 尺度 2:1 SHEET 1 OF 4 REV 0 |

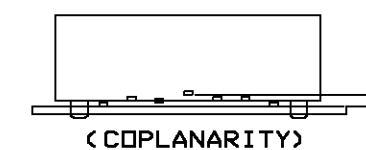
THIS DRAWING IS UNPUBLISHED. RELEASED FOR PUBLICATION
 © COPYRIGHT BY TYCO ELECTRONICS CORPORATION. ALL RIGHTS RESERVED.

| LOC | DIST | REVISIONS | | | | | |
|-----|------|-----------|-----|-------------|------|-----|------|
| J | - | P | LTR | DESCRIPTION | DATE | DWN | APVD |
| | | - | - | SEE SHEET 1 | - | - | - |



1 PWB: 1.0t
 METAL MASK: 0.12t
 (リフロー後、スルーホール部は手半田でのフィレット形成を推奨)

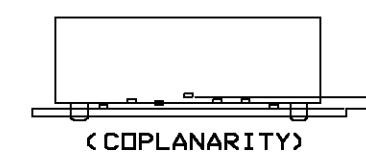
- ② スタンドオフ エリア (パターン 禁止領域)
- ③ コンタクトタイン部の平坦度 (COPLANARITY) は 0.1 MAX



4. パッキング仕様 : SHEET 3,4を参照のこと。

1 PWB: 1.0t
 METAL MASK: 0.12t
 (MANUAL TOUCH UP IS RECOMMENDED TO CREATE SOLDER FILET AT THROUGH HOLE AREA AFTER REFLOW MOUNTING)

- ② STAND-OFF AREA (PROHIBITED PATTERN AREA)
- ③ COPLANARITY AT CONTACT TINES : 0.1 MAX

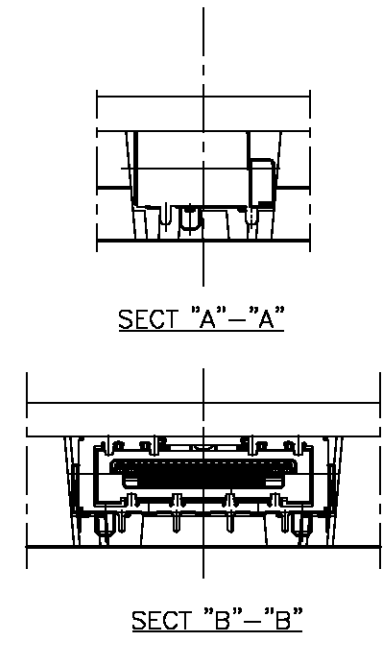
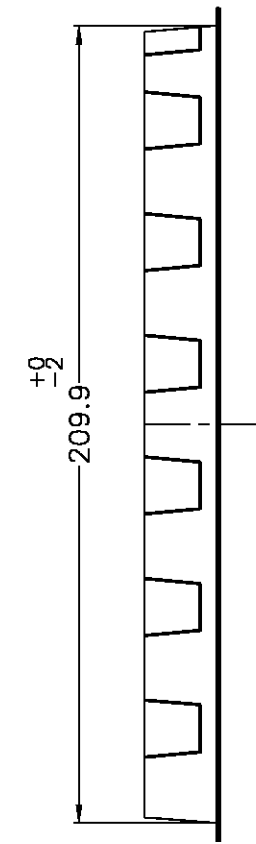
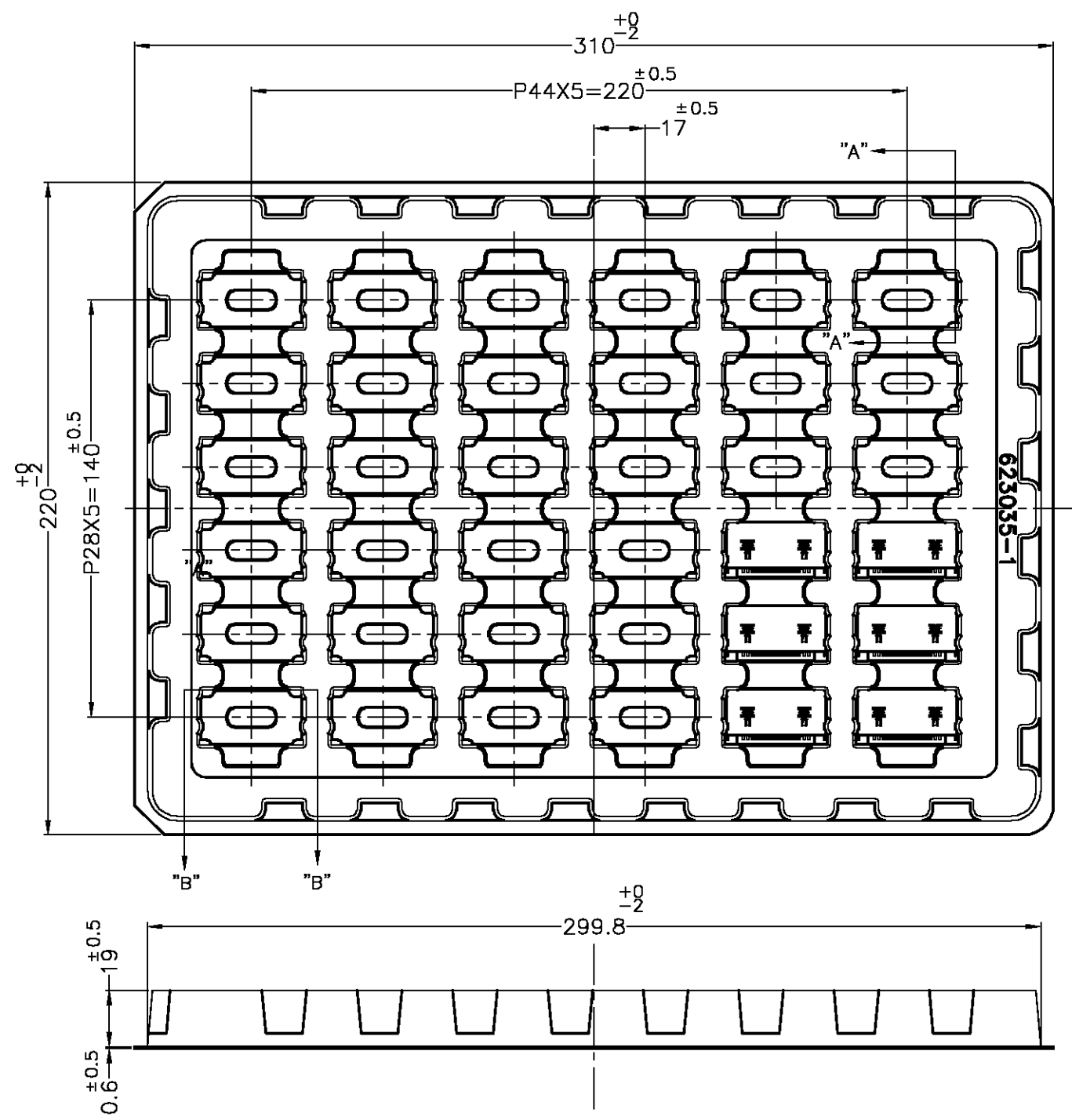


4. PACKING TYPE : REFERENCE TO SHEET 3,4

| | | | | | | | |
|--|--|---|--|----------------------------|--|--|--|
| THIS DRAWING IS A CONTROLLED DOCUMENT. | | DWN | | tyco Electronics | | Tyco Electronics AMP K.K. Kawasaki, Japan | |
| DIMENSIONS: 単位: 特 MM | | TOLERANCES UNLESS OTHERWISE SPECIFIED: 一般公差 | | NAME 名称 | | HEADER 1MM GIGA I/O CONN. LEAD-FREE | |
| MATERIAL 材料 | | FINISH 仕上 | | PRODUCT SPEC 製品規格 | | SIZE | |
| | | | | APPLICATION SPEC 取付適用規格 | | CAGE CODE | |
| | | | | WEIGHT | | DRAWING NO 番号 | |
| | | | | CUSTOMER DRAWING | | A3 00779 C-6376818 | |
| | | | | | | RESTRICTED TO | |
| | | | | | | SCALE 尺度 4:1 | |
| | | | | | | SHEET 2 OF 4 | |
| | | | | | | REV 0 | |

THIS DRAWING IS UNPUBLISHED. RELEASED FOR PUBLICATION
 © COPYRIGHT BY TYCO ELECTRONICS CORPORATION. ALL RIGHTS RESERVED.

| LOC | DIST | REVISIONS | | | | | |
|-----|------|-----------|-----|-------------|------|-----|------|
| J | — | P | LTR | DESCRIPTION | DATE | DWN | APVD |
| | | — | | SEE SHEET 1 | — | — | — |



PACKING TYPE : TRAY ASSY
 AS SHOWN : -1

TRAY ASSY LAYOUT

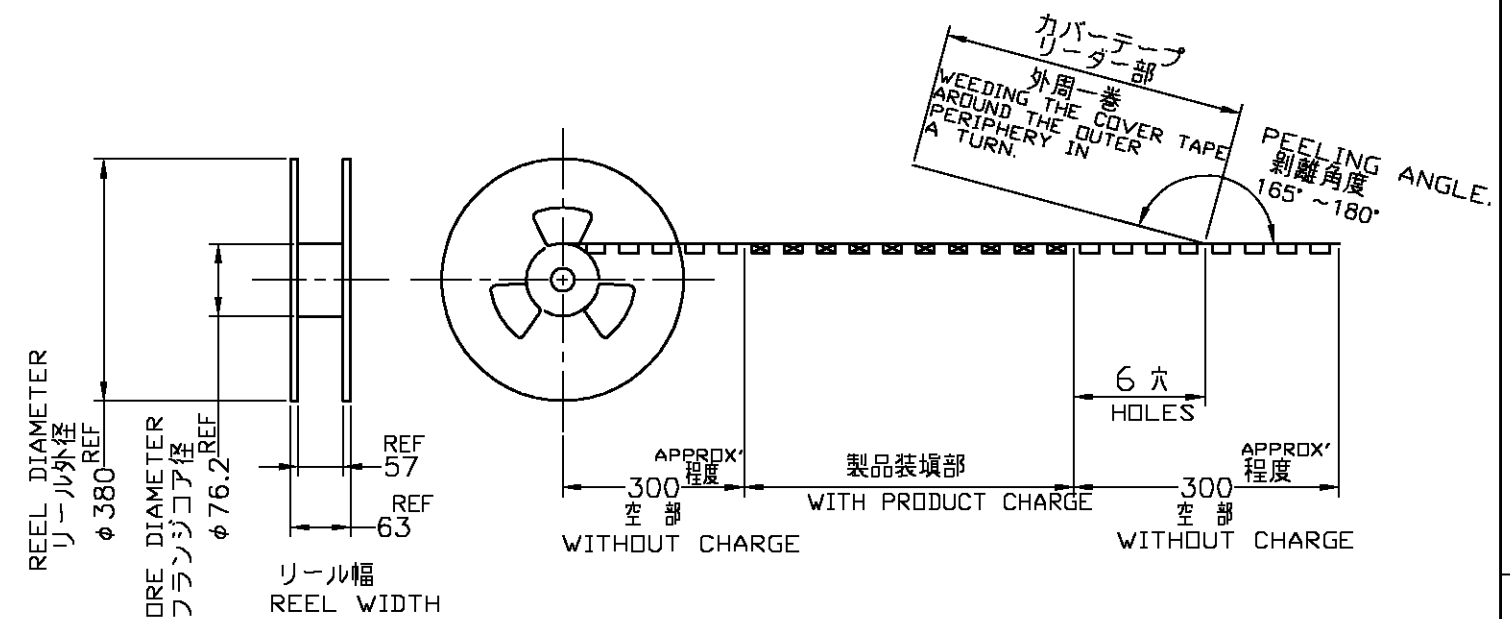
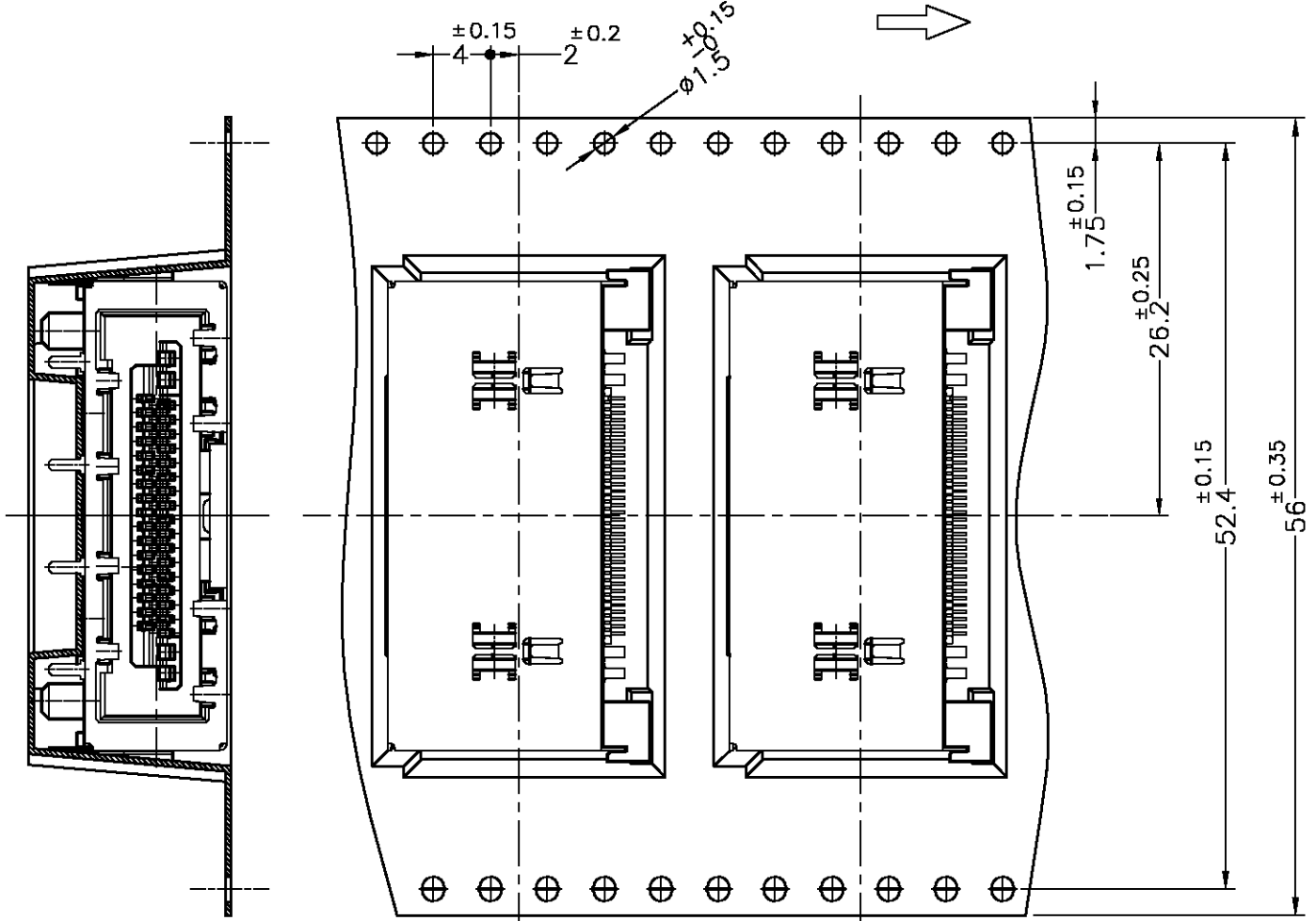
36 PCS/TRAY
 QTY

| | | | | | | |
|---|--|----------------------------|--|-----------|------------------|---------------|
| THIS DRAWING IS A CONTROLLED DOCUMENT. | | DWN | Tyco Electronics AMP K.K. Kawasaki, Japan | | | |
| DIMENSIONS: 單位: 耗 MM | | CHK | | | | |
| TOLERANCES UNLESS OTHERWISE SPECIFIED: 一般公差 | | APVD | NAME 名称 | | | |
| 0 PLC ± - 1 PLC ± - 2 PLC ± - 3 PLC ± - 4 PLC ± - ANGLES ± - | | PRODUCT SPEC 製品規格 | HEADER 1MM GIGA I/O CONN. LEAD-FREE | | | |
| MATERIAL 材料 | | APPLICATION SPEC 取付適用規格 | SIZE | CAGE CODE | DRAWING NO 番号 | RESTRICTED TO |
| FINISH 仕上 | | WEIGHT | A3 | 00779 | C-6376818 | — |
| CUSTOMER DRAWING | | | SCALE 尺度 | SHEET | REV | |
| | | | NON | 3 OF 4 | 0 | |

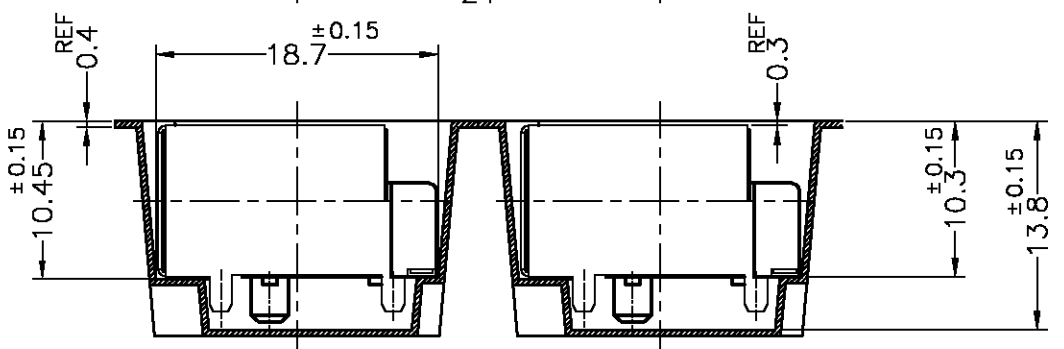
THIS DRAWING IS UNPUBLISHED. RELEASED FOR PUBLICATION
 © COPYRIGHT BY TYCO ELECTRONICS CORPORATION. ALL RIGHTS RESERVED.

| LOC | DIST | REVISIONS | | | | | |
|-----|------|-----------|-----|-------------|------|-----|------|
| J | — | P | LTR | DESCRIPTION | DATE | DWN | APVD |
| | | — | — | SEE SHEET 1 | — | — | — |

リール引出し方向
 USER DIRECTION OF UNREELIN



PACKING TYPE : EMBOSS ASSY
 AS SHOWN : 1 - - 1



EMBOSS ASSY LAYOUT

250 PCS/REEL
 QTY

| | | | | |
|---|--|----------------------------|--|---------------|
| THIS DRAWING IS A CONTROLLED DOCUMENT. | | DWN | Tyco Electronics AMP K.K. Kawasaki, Japan | |
| DIMENSIONS: 単位: 耗 MM | | CHK | NAME 名称 | |
| TOLERANCES UNLESS OTHERWISE SPECIFIED: 一般公差 | | APVD | HEADER 1MM GIGA I/O CONN. LEAD-FREE | |
| 0 PLC ± - 1 PLC ± - 2 PLC ± - 3 PLC ± - 4 PLC ± - ANGLES ± - | | PRODUCT SPEC 製品規格 | SIZE | CAGE CODE |
| MATERIAL 材料 | | APPLICATION SPEC 取付適用規格 | A3 | 00779 |
| FINISH 仕上 | | WEIGHT | DRAWING NO 番号 | RESTRICTED TO |
| | | CUSTOMER DRAWING | C-6376818 | — |
| | | SCALE 尺度 | NON | SHEET 4 OF 4 |
| | | | | REV 0 |

单击下面可查看定价，库存，交付和生命周期等信息

[>>TE Connectivity\(泰科\)](#)