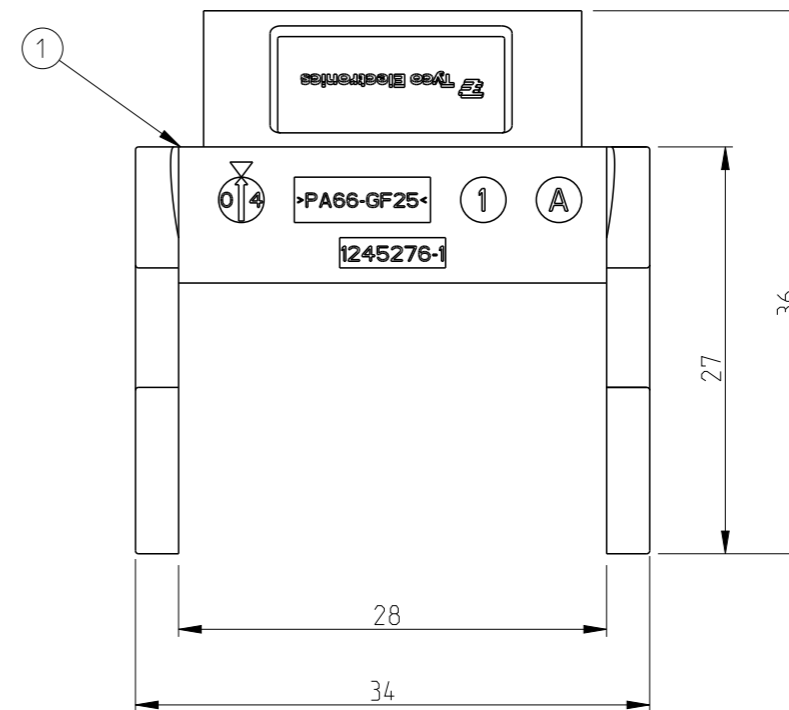
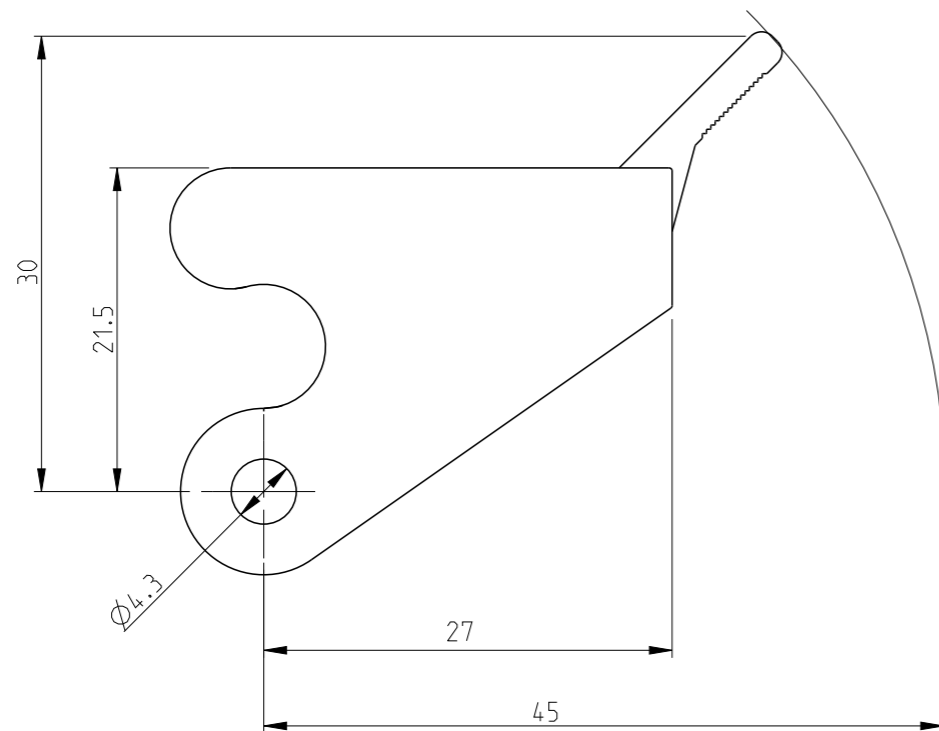


REVISIONS

P	LTR	DESCRIPTION	DATE	DWN	APVD
	A3	REVISED PER ECO-11-005107	24MAR2011	HMR	MM
	A4	REVISED PER ECR-19-002101	14AUG2020	SB	MKO



PN: 0-2 as shown

Packaging quantity: 100 pieces

1	HG-Q. SIDE CLIP	SIDE CLIP	PA66-GF25	BLACK		1
0-2	ORDERING TEXT	DESCRIPTION	MATERIAL	SURFACE	NOTES	ITEM

THIS DRAWING IS A CONTROLLED DOCUMENT.

DIMENSIONS: mm	TOLERANCES UNLESS OTHERWISE SPECIFIED: n. ISO 8015: n. ISO 2768-MH-E: n. DIN 16901-120	DWN Schneider 11.08.06													
	<table border="1"> <tr><td>0 PLC</td><td>±</td></tr> <tr><td>1 PLC</td><td>±</td></tr> <tr><td>2 PLC</td><td>±</td></tr> <tr><td>3 PLC</td><td>±</td></tr> <tr><td>4 PLC</td><td>±</td></tr> <tr><td>ANGLES</td><td>±1°</td></tr> </table>	0 PLC		±	1 PLC	±	2 PLC	±	3 PLC	±	4 PLC	±	ANGLES	±1°	CHK T. Schnurpfeil 11.08.06
		0 PLC		±											
		1 PLC		±											
2 PLC	±														
3 PLC	±														
4 PLC	±														
ANGLES	±1°														
MATERIAL	FINISH	APVD T. Schnurpfeil 11.08.06													
		PRODUCT SPEC 108-74052	NAME SIDE CLIP HG-Q8												
		APPLICATION SPEC 114-74064	SIZE A3												
		WEIGHT 0.001 KG	CAGE CODE 00779												
		CUSTOMER DRAWING	DRAWING NO C=1245276												
			RESTRICTED TO												
			SCALE 2:1												
			SHEET 1 OF 1												
			REV A4												

单击下面可查看定价，库存，交付和生命周期等信息

[>>TE Connectivity\(泰科\)](#)