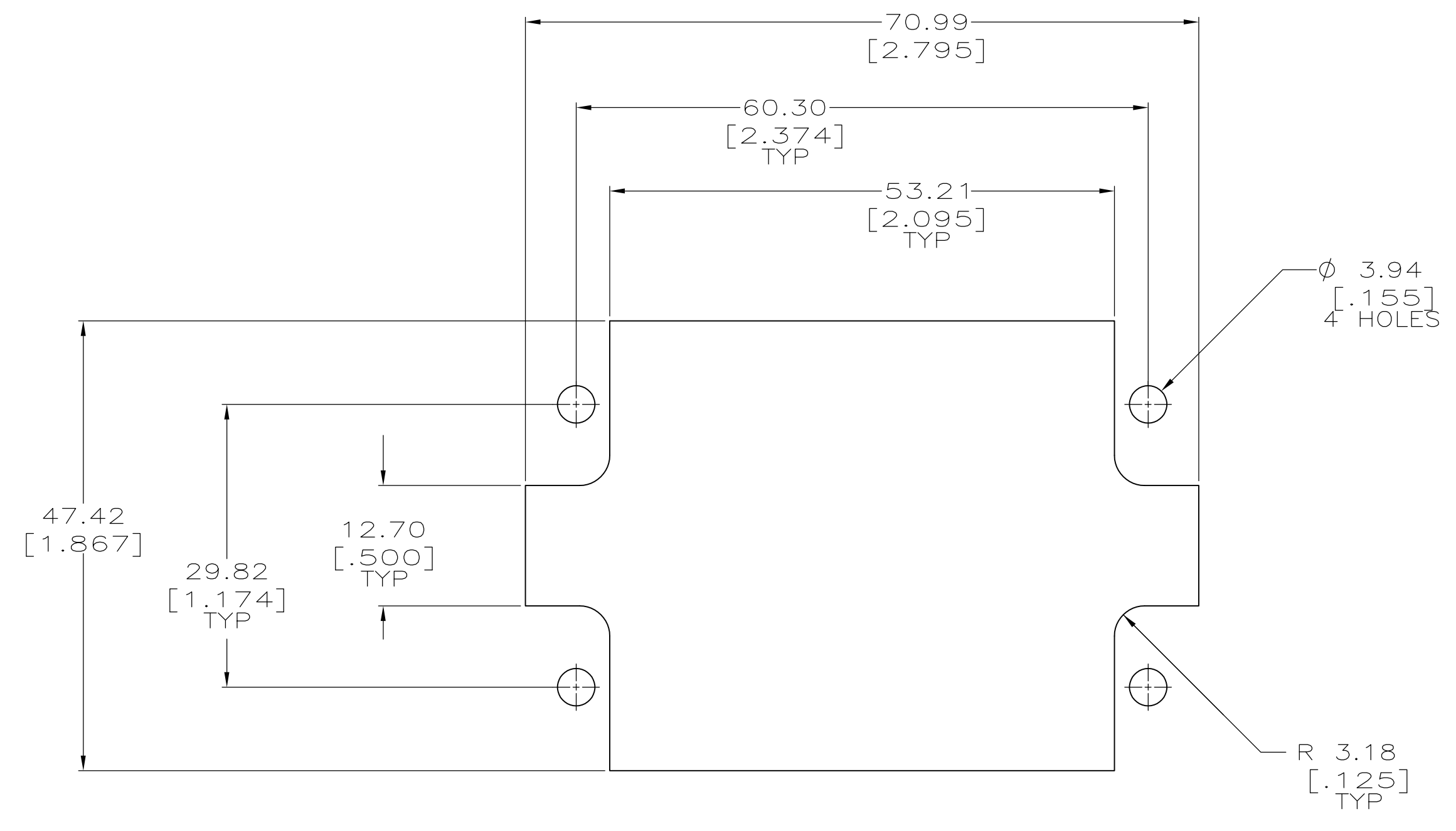
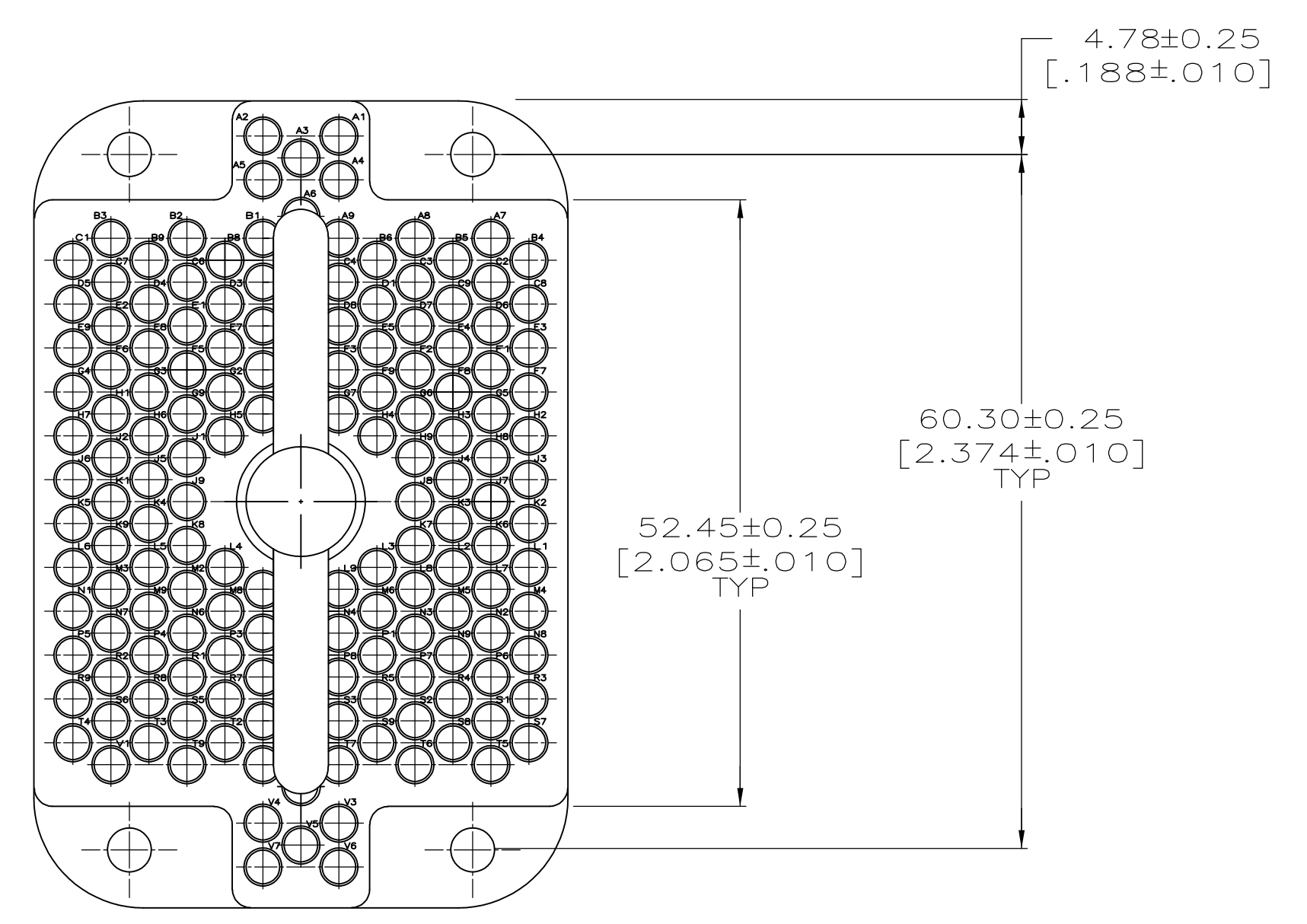
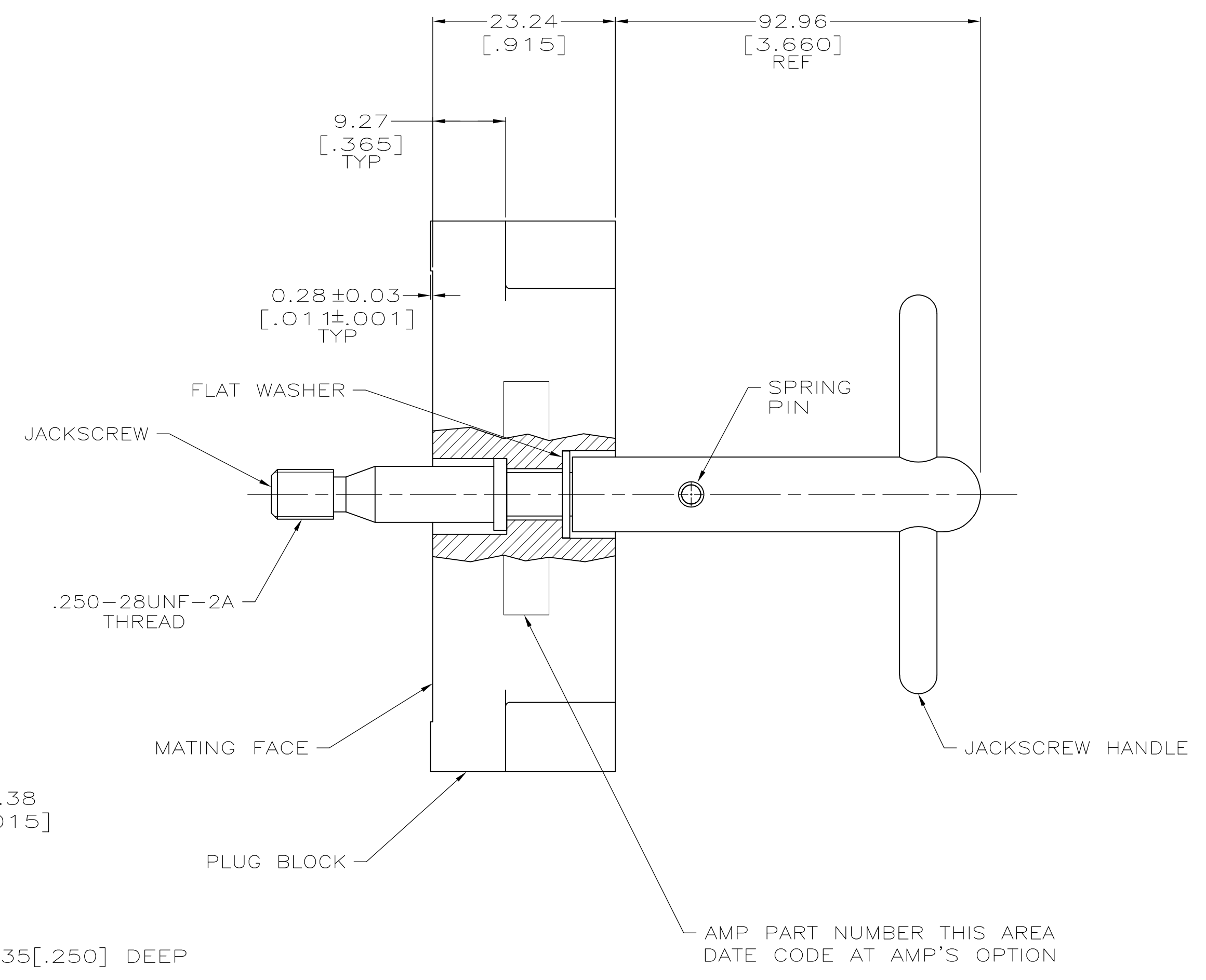
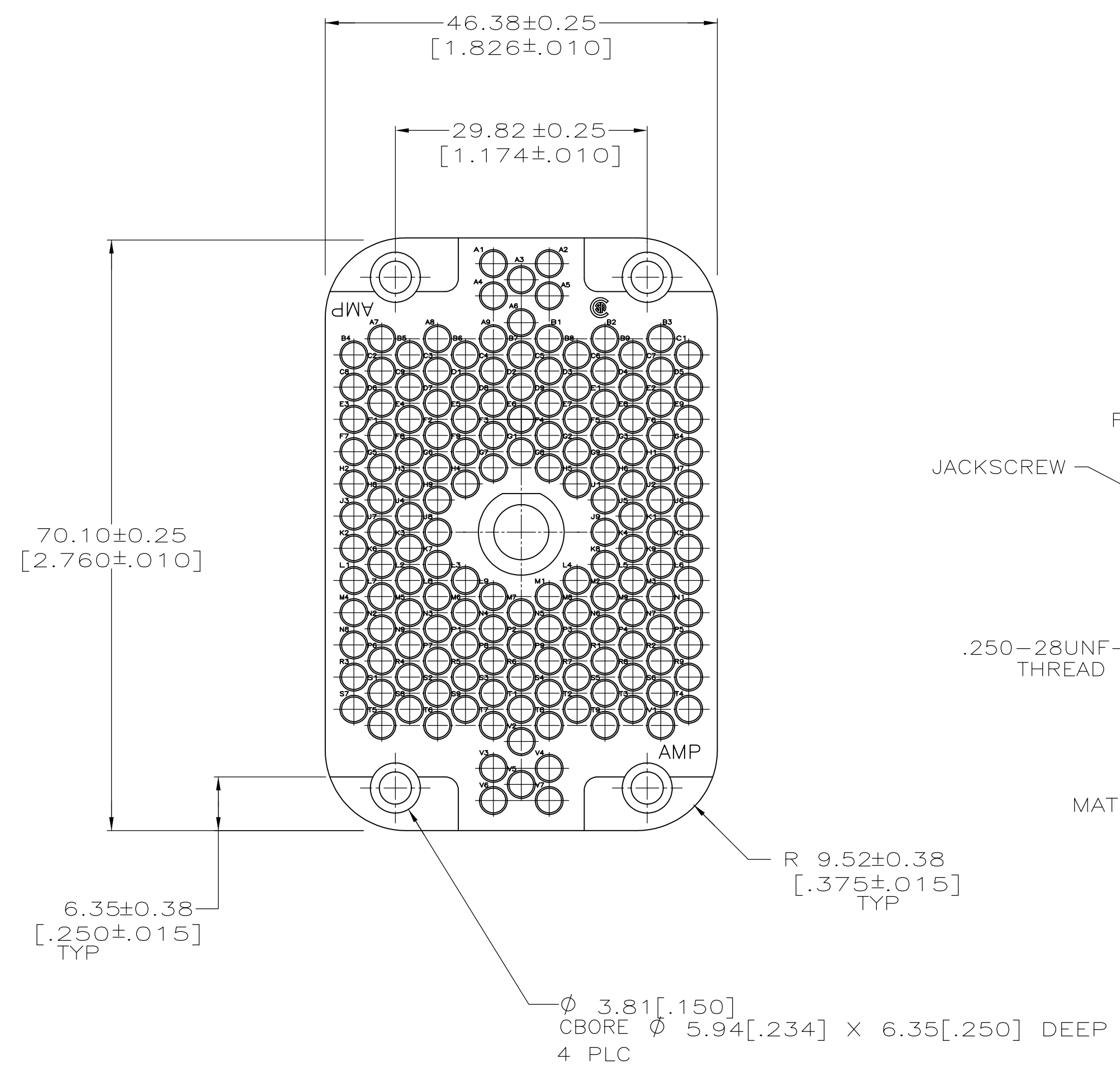


REVISIONS					
P	LTR	DESCRIPTION	DATE	DWN	APVD
A		REVISED PER ECO-16-004000	29SEP2016	NK	MZ



RECOMMENDED PANEL CUTOUT

- THIS ASSEMBLY MATES WITH 796089-1.
- JACKSCREW, JACKSCREW HANDLE AND FLAT WASHER: STAINLESS STEEL. RECEPTACLE BLOCK; DIALYL PHTHALATE, BLUE. SPRING PIN: CARBON STEEL.
 - FINISH: ZINC PLATE WITH HEXAVALENT CHROMATE.
 - FINISH: ZINC PLATE WITH NON-HEXAVALENT CHROMATE.

OBSOLETE	\triangle	-796092-2
	\triangle	796092-1
SPRING PIN FINISH		PART NUMBER

THIS DRAWING IS A CONTROLLED DOCUMENT.

DIMENSIONS: mm [INCHES]	TOLERANCES UNLESS OTHERWISE SPECIFIED:	DIN C. DORWART 06 MAY 98	APVD G. STEINHAUER 07 MAY 98
0 PLC ± -	1 PLC ± -	2 PLC ± 0.13 [.005]	3 PLC ± -
4 PLC ± -	ANGLES ± -	NAME: PLUG BLOCK ASSEMBLY, 160 POSITION, WITH CENTER FASTENER, M SERIES	
MATERIAL	FINISH	SIZE: A1	WEIGHT: 00779
		SCALE: 2:1	SHEET: 1 OF 1
		CUSTOMER DRAWING	REV: A

STE TE Connectivity

单击下面可查看定价，库存，交付和生命周期等信息

[>>TE Connectivity\(泰科\)](#)